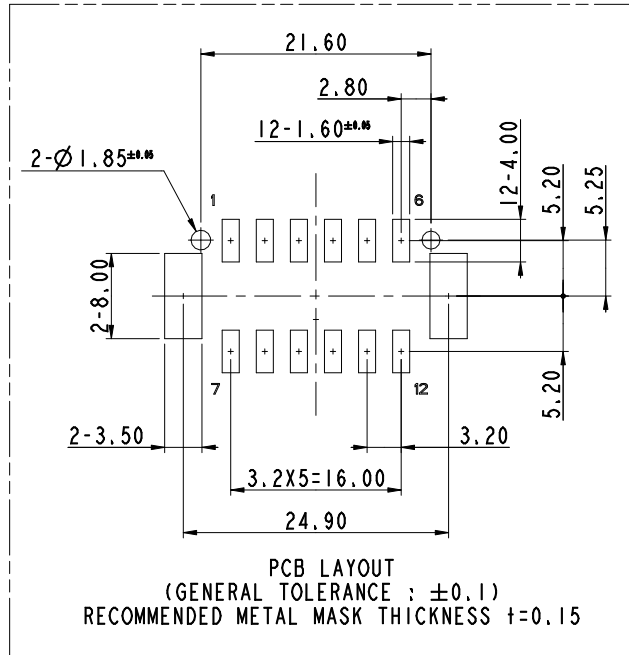
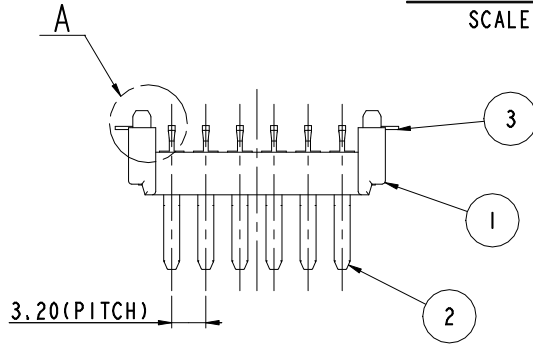


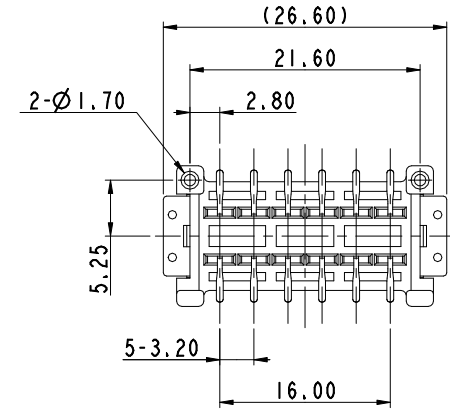
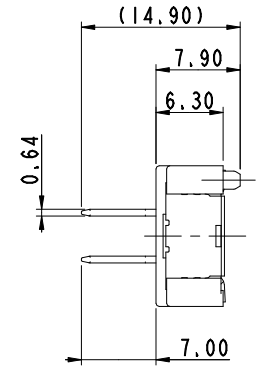
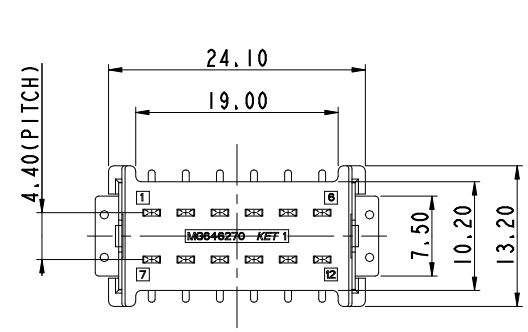
DETAIL A
SCALE 5/1



- 주
1. 기능상 유해한 BURR 및 WELDLINE 등이 없을 것
2. 적용 FEMALE HOUSING : MG655828
3. 단자 주석 도금 - TYPE A Sn(무광), (MS915-01)
Ni 하지 도금 + Sn(무광) + Reflow
4. 포장 사양 : EMBOSS TAPE REEL
5. 무연 솔더 적용 가능
6. 제품내 함유된 10대 유해물질 (납, 수은, 카드뮴, 6가크롬, PBBs, PBDEs, DHEP, DBP, BBP, DIBP)은 EU ELV 지침 및 RoHS 법규에서 지정한 최대 허용 농도를 초과해서는 안된다.

- NOTE
1. MUST BE FREE OF FLASH, WELDLINE AND IMPERFECTION THAT AFFECT FUNCTION
2. APPLICABLE FEMALE HOUSING : MG655828
3. TIN-PLATED TERMINAL - TYPE A Sn(MATT), (MS915-01)
Ni-PLATED UNDER + Sn(MATT) + Reflow
4. PACKAGING TYPE : EMBOSS TAPE REEL
5. AVAILABLE FOR PB FREE SOLDER
6. 10 HAZARDOUS SUBSTANCES IN PARTS (LEAD, MERCURY, CADMIUM, HEXAVALENT CHROMIUM, PBBs, PBDEs, DEHP, DBP, BBP, DIBP) SHALL NOT EXCEED THE MAXIMUM PERMISSIBLE CONCENTRATION PRESCRIBED UNDER EU ELV DIRECTIVE & RoHS REGULATION.

NO.	MATERIAL	COLOR
0	PPS-GF40	NATURAL
1		RED
2		BLUE
20		JADE
3		YELLOW
4		GRAY
40		DARK GRAY
41		LIGHT GRAY
* 5		BLACK
6		DARK GREEN
7		BROWN
8	LIGHT GREEN	
9	MAGENTA	
11	ORANGE	



NO	PART NAME	PART NO	MATERIAL	FINISH	QTY
1	060 12M SMD PINBLOCK	MG677336-5	SEE TABLE	SEE TABLE	1
2	060 SMD MALE TERMINAL(S)	ST792611-2	BRASS	Sn 후도금(무광)-Reflow	12
3	SIDE BRACKET	ST792586-2	BRASS	Sn 후도금(무광)	2

MATERIAL	SEE TABLE	KOREA ELECTRIC TERMINAL CO., LTD.			
FINISH	SEE TABLE				
WIRE RANGE	-		CLASS 060		
INSULATION	-		TYPE SMD		
LTR	REVISION RECORD	DR, CHK, APP, DATE	TOLERANCE SPECIFY AS NOTED	SCALE 2/1	PART NO. MG646270-5
	DR. JH.K 18.11.13	CHK.	SEE TABLE		
	CHK. YSW 18.11.13	APP. SSH 18.11.13	PART-NAME	060 12M SMD PINBLOCK ASSY	

ISSUE MARK
