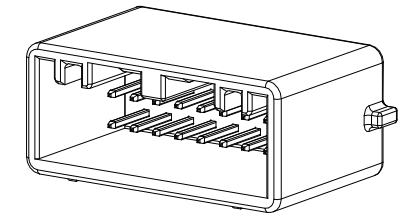
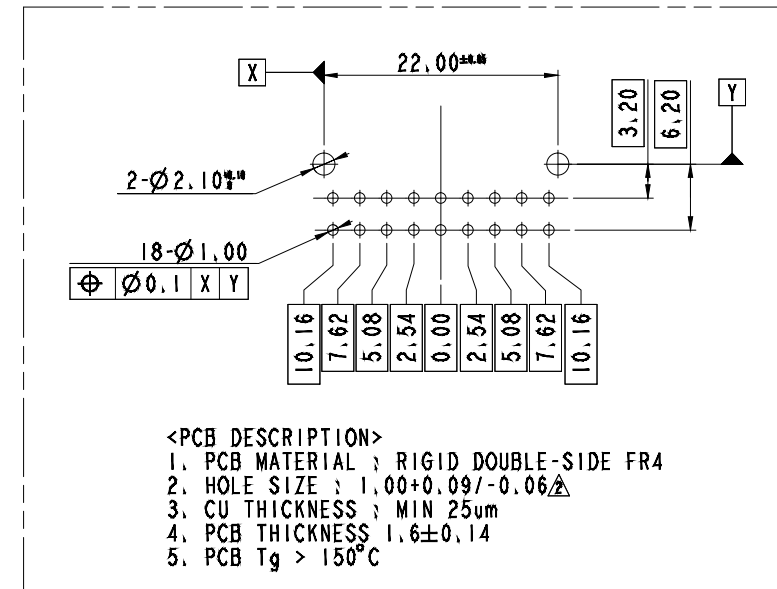
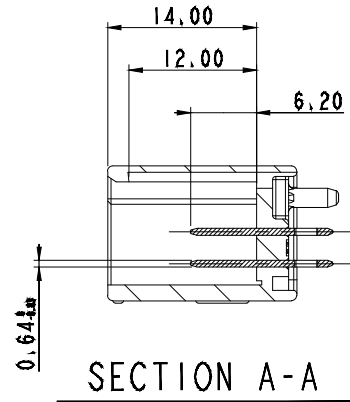
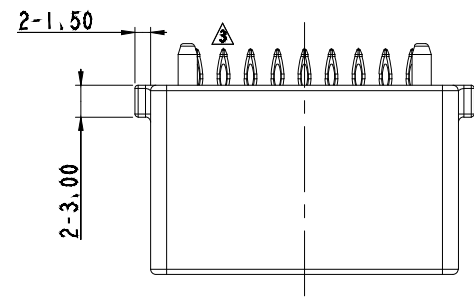
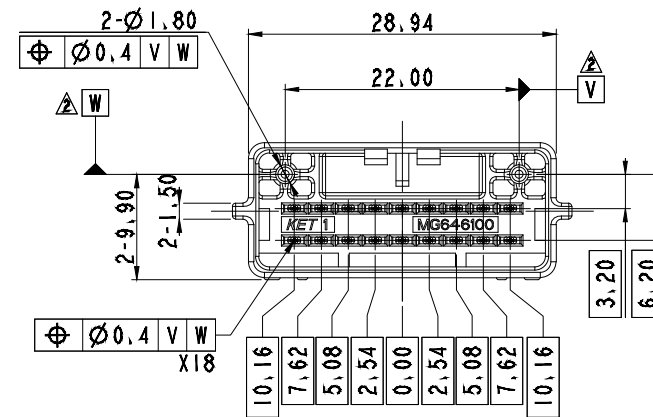
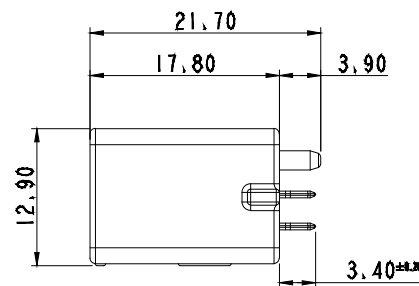
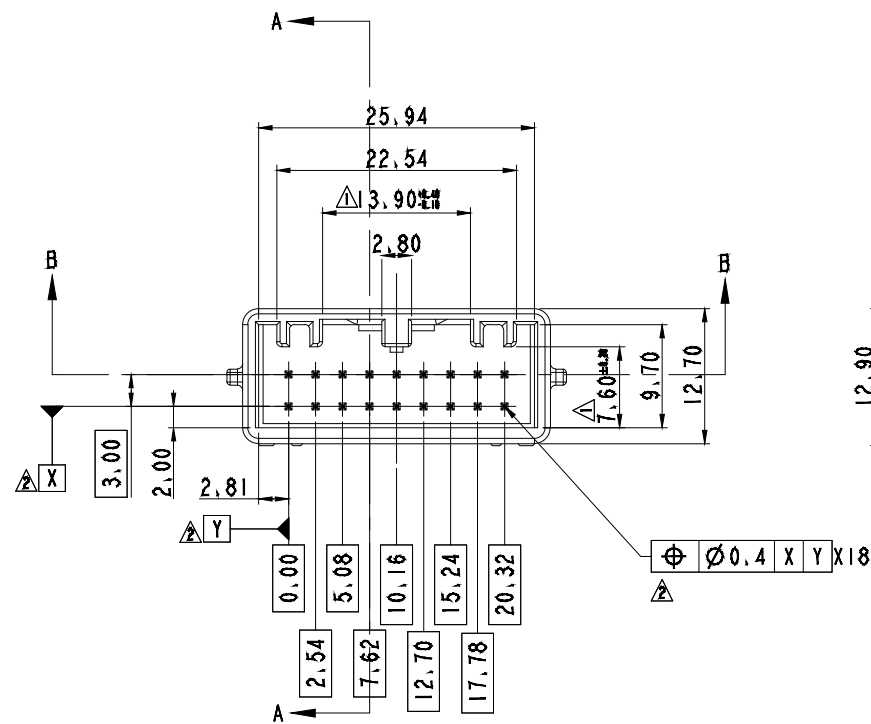


| GENERAL TOLERANCE (TERMINAL) | | | | | GENERAL TOLERANCE (HOUSING) | | | | | | | USED ON |
|------------------------------|--------|--------|-------|--------|-----------------------------|--------|---------|---------|--------|-------|--------|---------|
| 10 MAX | 20 MAX | 45 MAX | ANGLE | ECCENT | 10 MAX | 50 MAX | 100 MAX | 250 MAX | 250 VR | ANGLE | ECCENT | |
| ±0.2 | ±0.25 | ±0.3 | ±30' | 0.1 | ±0.2 | ±0.3 | ±0.55 | ±0.95 | ±1.4 | ±30' | 0.1 | |



ISO VIEW

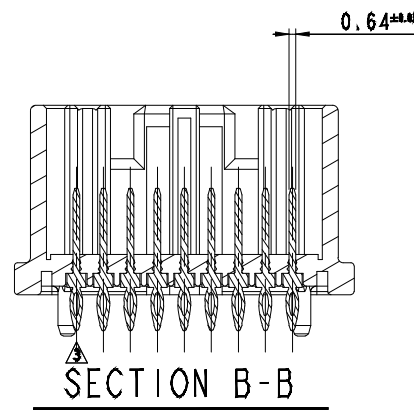
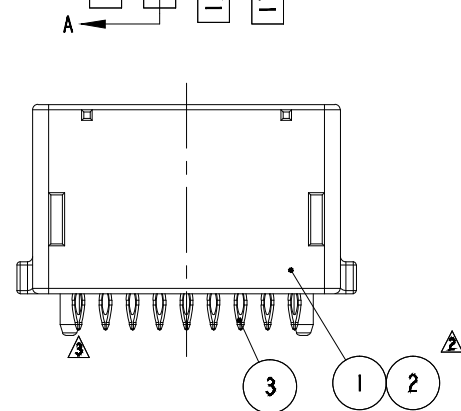


- 주
 1. 기능상 유해한 BURR 및 WELDLINE 등이 없을 것.
 2. 적용 FEMALE HOUSING : MG656929
 3. TERMINAL 도금 사양 : TYPE A Sn(무광택), (MS915-01) Ni 하지 도금 + Sn(무광) + Reflow
 4. 제품내 함유된 6대 유해물질 (납,수은,카드뮴,6가크롬, PBBs, PBDEs)은 EU ELV 지침 및 RoHS 법규에서 지정한 최대 허용 농도를 초과해서는 안된다.

- NOTE
 1. MUST BE FREE OF FLASH, WELDLINE AND IMPERFECTION THAT AFFECT FUNCTION.
 2. APPLICABLE FEMALE HOUSING : MG656929
 3. TERMINAL PLATING SPECIFICATION : TYPE A Sn(MATTE), (MS915-01) Ni-PLATED UNDER + Sn(MATT) + Reflow
 4. 6 HAZARDOUS SUBSTANCES IN PARTS (LEAD, MERCURY, CADMIUM, HEXAVALENT CHROMIUM, PBBs, PBDEs) SHALL NOT EXCEED THE MAXIMUM PERMISSIBLE CONCENTRATION PRESCRIBED UNDER EU ELV DIRECTIVE & RoHS REGULATION.

| NO. | MATERIAL | COLOR |
|-----|-------------|------------|
| * 0 | PBT-GF30 | NATURAL |
| 1 | | RED |
| 2 | | BLUE |
| 20 | | JADE |
| 3 | | YELLOW |
| * 4 | | GRAY |
| 40 | | DARK GRAY |
| 41 | | LIGHT GRAY |
| 5 | | BLACK |
| 6 | | DARK GREEN |
| 7 | | BROWN |
| 8 | LIGHT GREEN | |
| 9 | MAGENTA | |
| 11 | ORANGE | |

| 적용 PIN 사양 | | | |
|--------------------------------|----------|--------------------------------|------------|
| 025 18M PRESS FIT ASSY (18PIN) | | 025 18M PRESS FIT ASSY (13PIN) | |
| | | | |
| PART NO | MG646100 | PART NO | MG646164-4 |



| NO | PART NAME | PART NO | MATERIAL | FINISH | QTY |
|----|-----------------------------|------------|--------------|-----------------|-------|
| 1 | 025 18M PRESS-FIT HOUSING | MG676884 | NATURAL | SEE TABLE | 1 |
| 2 | 025 18M PRESS-FIT HOUSING | MG677088 | GRAY | SEE TABLE | 1 |
| 3 | 025 PRESS-FIT MALE TERMINAL | ST793372-2 | COPPER ALLOY | Sn 후도금 (Reflow) | 18 13 |



ISSUE MARK

| ECO-1808-309 근거 도면 제작 | | LWJ | KKT | SSH | '18.08.24 | MATERIAL | SEE TABLE |
|-----------------------|--|---------------------|---|---|-----------|------------------------|-----------|
| ECO-1712-264 근거 도면 제작 | | JBN | KMH | SSH <td>'18.01.16</td> <td>FINISH</td> <td>SEE TABLE</td> | '18.01.16 | FINISH | SEE TABLE |
| ECO-1709-145 근거 도면 변경 | | YJK | SSH <td>SSH <td>'17.08.12</td> <td>WIRE RANGE</td> <td>-</td> </td> | SSH <td>'17.08.12</td> <td>WIRE RANGE</td> <td>-</td> | '17.08.12 | WIRE RANGE | - |
| LTR REVISION RECORD | | DR | CHK | APP | DATE | INSULATION | - |
| DR, PJH 2017.02.14 | | CHK, | | DATE | | SCALE | 2/1 |
| CHK, | | APP, SSH 2017.02.17 | | PART-NAME | | 025 18M PRESS FIT ASSY | |



| | |
|----------|-----------|
| CLASS | 025 |
| TYPE | PRESS-FIT |
| PART NO. | MG646100 |