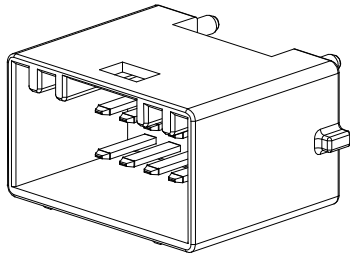
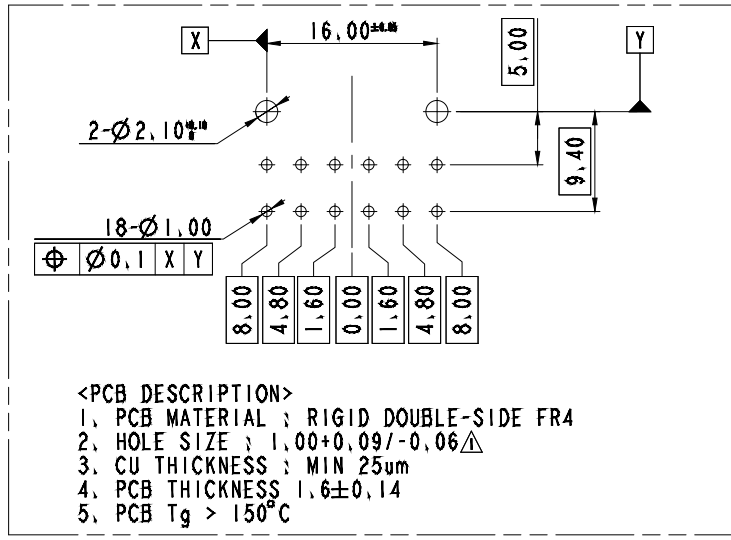
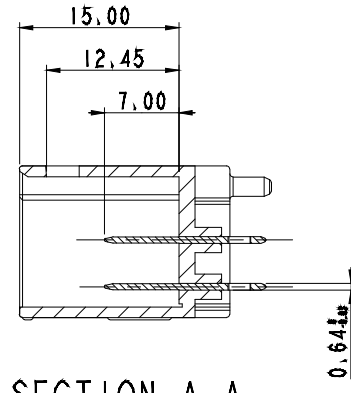
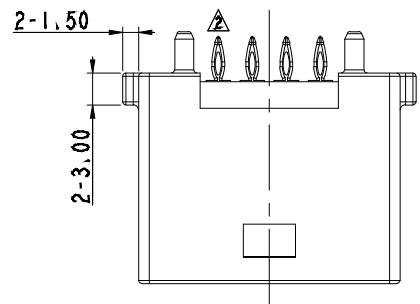
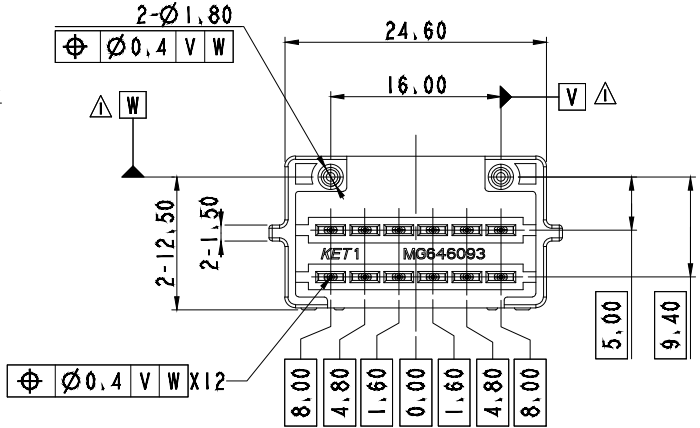
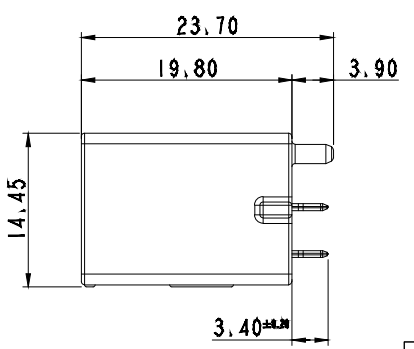
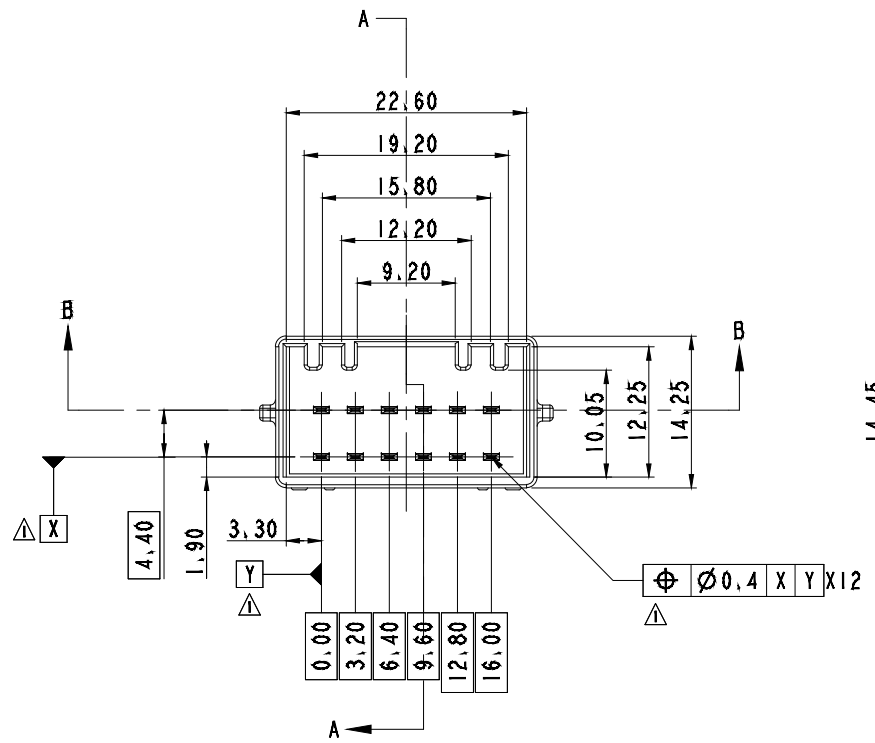


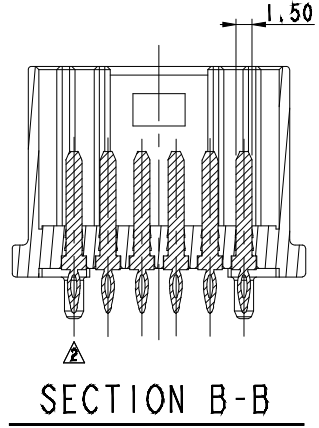
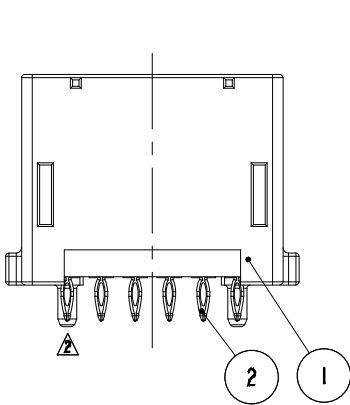
GENERAL TOLERANCE (TERMINAL)					GENERAL TOLERANCE (HOUSING)									USED ON
10 MAX	20 MAX	45 MAX	ANGLE	ECCENT	10 MAX	30 MAX	50 MAX	70 MAX	100 MAX	120 MAX	250 MAX	250VR	ANGLE	
±0.2	±0.3	±0.55	±30'	0.1	±0.15	±0.20	±0.30	±0.40	±0.50	±0.75	±0.90	±1.4	±30'	



ISO VIEW



- 주 기
- 가능상 유해한 BURR 및 WELDLINE 등이 없을 것.
 - 적용 FEMALE HOUSING : MG655828
 - TERMINAL 도금 사양 : TYPE A Sn(무광택), (MS915-01)
Ni 하지 도금 + Sn(무광) + Reflow
 - 제품내 함유된 6대 유해물질 (납,수은,카드뮴,6가크롬, PBBs,PBDEs)은 EU ELV 지침 및 RoHS 법규에서 지정한 최대 허용 농도를 초과해서는 안된다.
- NOTE
- MUST BE FREE OF FLASH, WELDLINE AND IMPERFECTION THAT AFFECT FUNCTION.
 - APPLICABLE FEMALE HOUSING : MG655828
 - TERMINAL PLATING SPECIFICATION : TYPE A Sn(MATTE), (MS915-01)
Ni-PLATED UNDER + Sn(MATT) + Reflow
 - 6 HAZARDOUS SUBSTANCES IN PARTS (LEAD, MERCURY, CADMIUM, HEXAVALENT CHROMIUM, PBBs, PBDEs) SHALL NOT EXCEED THE MAXIMUM PERMISSIBLE CONCENTRATION PRESCRIBED UNDER EU ELV DIRECTIVE & RoHS REGULATION.



NO.	MATERIAL	COLOR
0	PBT-GF30	NATURAL
1		RED
2		BLUE
20		JADE
3		YELLOW
4		GRAY
40		DARK GRAY
41		LIGHT GRAY
5		BLACK
6		DARK GREEN
7		BROWN
8		LIGHT GREEN
9		MAGENTA
11		ORANGE



ISSUE MARK

NO	PART NAME	PART NO	MATERIAL	FINISH	QTY
1	060 12M PRESS-FIT HOUSING	MG676890	SEE TABLE	SEE TABLE	1
2	060 PRESS-FIT MALE TERMINAL	ST793371-2	COPPER ALLOY	Sn 후도금 (Reflow)	12

MATERIAL	SEE TABLE	FINISH	SEE TABLE	WIRE RANGE	-	INSULATION	-	CLASS	SEE NOTE	TYPE	060
ECO-1808-309 근거 도면 재작성	LTR	CHK	SSH	'18.08.24							
ECO-1712-264 근거 도면 재작성	LTR	CHK	SSH	'18.01.18							
LTR	REVISION RECORD	DR	CHK	APP	DATE	SCALE	2/1	PART NO.	MG646093		
DR, PJH 2017.02.14		CHK,				PART_NAME					
CHK,		APP, SSH 2017.02.17									060 12M PRESS-FIT ASSY