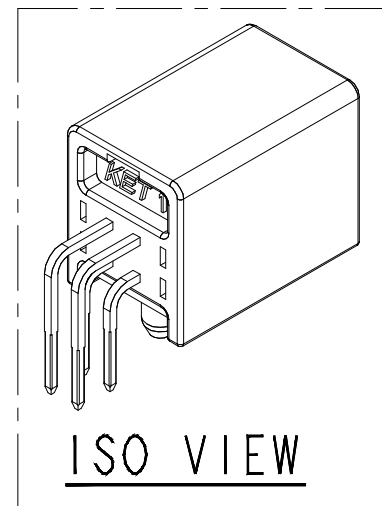
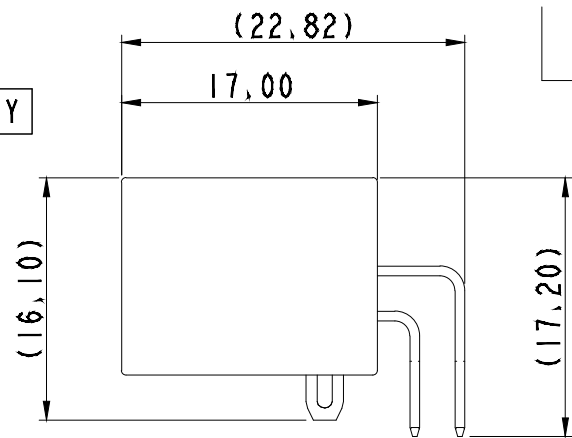
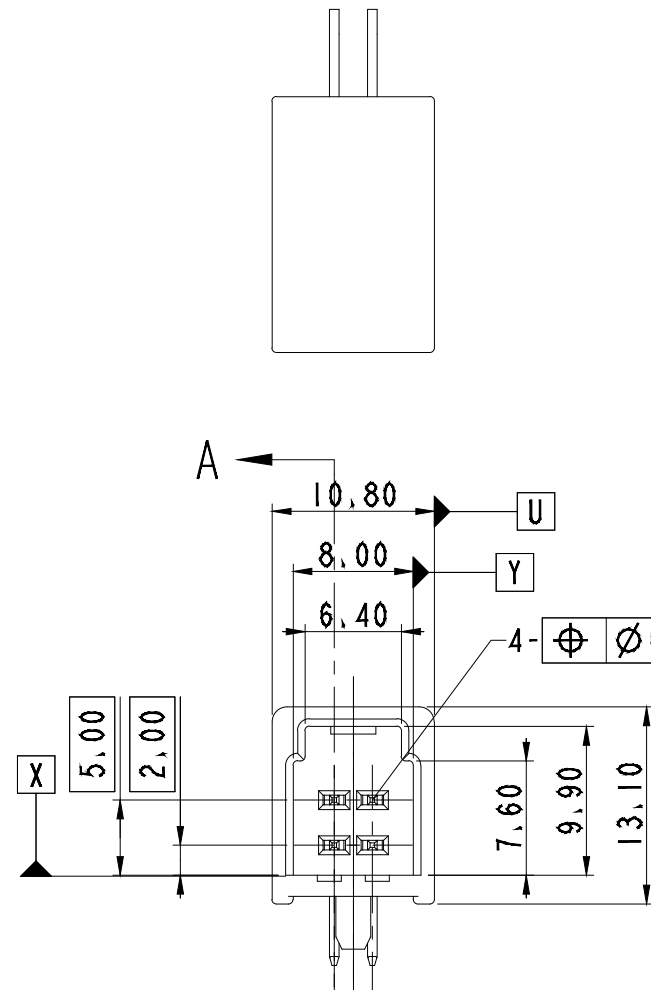
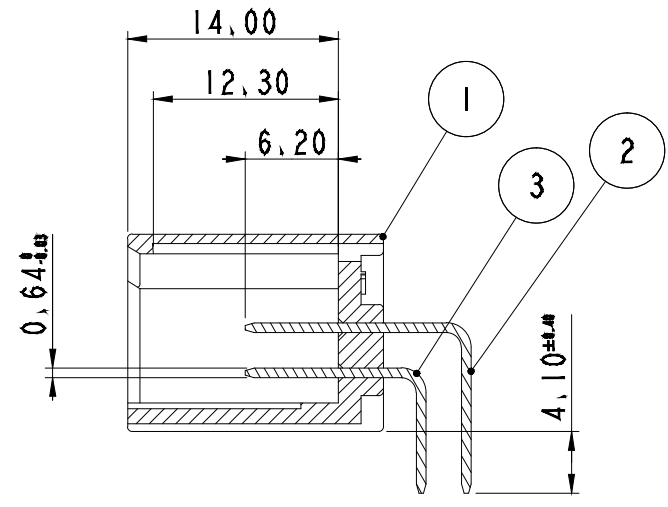
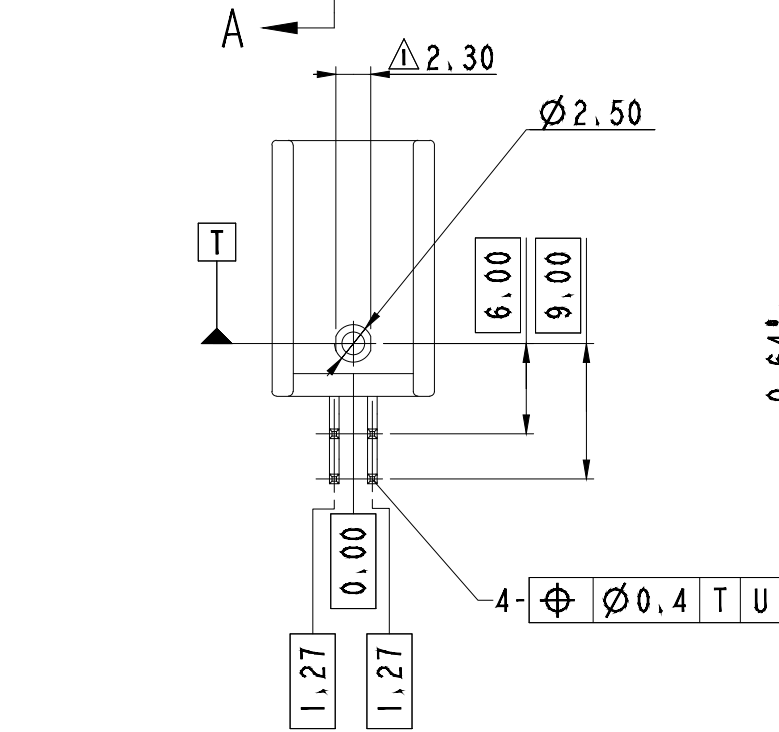
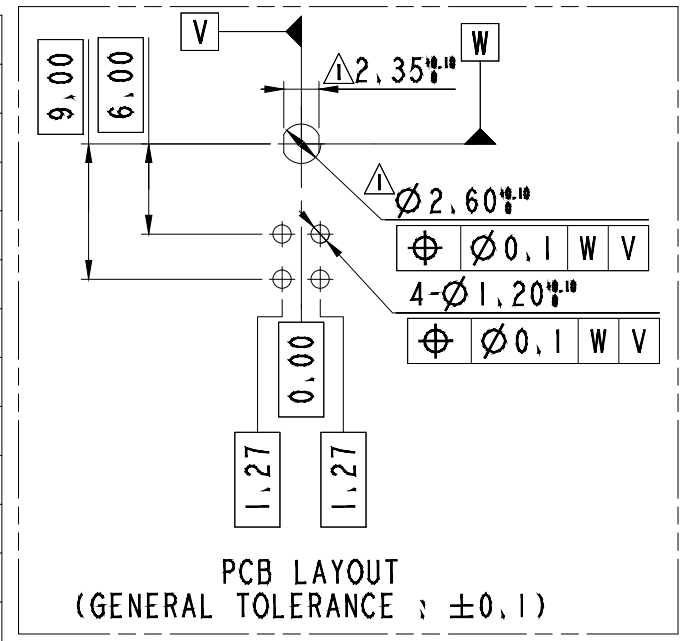


GENERAL TOLERANCE (TERMINAL)					GENERAL TOLERANCE (HOUSING)							USED ON
10 MAX	20 MAX	45 MAX	ANGLE	ECCENT	10 MAX	50 MAX	100 MAX	250 MAX	250VR	ANGLE	ECCENT	
±0.2	±0.25	±0.3	±30'	0.1	±0.2	±0.3	±0.55	±0.95	±1.4	±30'	0.1	



NO.	MATERIAL	COLOR
* 0	PBT-GF30	NATURAL
1		RED
2		BLUE
20		JADE
3		YELLOW
4		GRAY
40		DARK GRAY
41		LIGHT GRAY
5		BLACK
6		DARK GREEN
7		BROWN
8	LIGHT GREEN	
9	MAGENTA	
11	ORANGE	



- 주 기
1. 기능상 유해한 BURR 및 WELDLINE 등이 없을 것,
 2. 적용 FEMALE HOUSING : MG656923
 3. TERMINAL 도금 사양 : TYPE A Sn(무광택), (MS915-01) Ni 하지 도금 + Sn(무광) + Reflow
 4. 제품내 함유된 6대 유해물질 (납,수은,카드뮴,6가크롬, PBBs,PBDEs)은 EU ELV 지침 및 RoHS 범위에서 지정한 최대 허용 농도를 초과해서는 안된다,

- NOTE
1. MUST BE FREE OF FLASH, WELDLINE AND IMPERFECTION THAT AFFECT FUNCTION.
 2. APPLICABLE FEMALE HOUSING : MG656923
 3. TERMINAL PLATING SPECIFICATION : TYPE A Sn(MATTE), (MS915-01) Ni-PLATED UNDER + Sn(MATT) + Reflow
 4. 6 HAZARDOUS SUBSTANCES IN PARTS (LEAD, MERCURY, CADMIUM, HEXAVALENT CHROMIUM, PBBs, PBDEs) SHALL NOT EXCEED THE MAXIMUM PERMISSIBLE CONCENTRATION PRESCRIBED UNDER EU ELV DIRECTIVE & RoHS REGULATION.

APPROVED

2021-10-18

KOREA ELECTRIC
TERMINAL CO., LTD.
Korea Electric Terminal Co., LTD.

ISSUE MARK

DIMENSIONS (IN MM)

NO.	PART NAME	PART NO	MATERIAL	FINISH	QTY
1	025 4M PCB HOUSING (HZT)	MG676873	SEE TABLE	SEE TABLE	1EA
2	025 PCB MALE TERMINAL (L)	ST792554-2	BRASS	Sn 후도금(무광)-Reflow	2EA
3	025 PCB MALE TERMINAL (S)	ST792555-2	BRASS	Sn 후도금(무광)-Reflow	2EA

MATERIAL	SEE TABLE	KET ENGINEERED	KOREA ELECTRIC TERMINAL CO., LTD.
FINISH	SEE TABLE		
WIRE RANGE		CLASS	025
INSULATION		TYPE	HZT
LTR	REVISION RECORD	DR.	CHK.
JDR	2017.01.19	SSH	21.03.29
CHK.	SSH 2017.01.23	APP.	BIN 2017.01.23
TOLERANCE	SEE TABLE	SCALE	2/1
PART_NAME	025 4M PCB ASSY (HZT)		