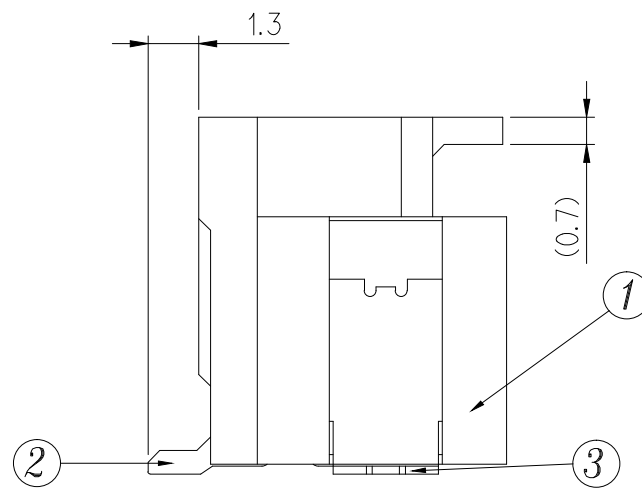


Recommendable P.C.B Layout (±0.05)



GENERAL TOLERANCE (HOUSING)							USED ON
10MAX	50MAX	100MAX	250MAX	250VR	ANGLE	ECCENT	
±0.2	±0.3	±0.55	±0.95	±1.4	±30'	0.1	

주 기

- 가능상 유해한 BURR 및 WELDLINE 등이 없을 것.
- 제품 내 함유된 6대 유해물질 (납, 수은, 카드뮴, 6가 크롬, PBBs, PBDEs)은 EU ELV 지침 및 RoHS 법규에서 지정한 최대 허용 농도를 초과해서는 안된다.
- LEAD 평탄도 관리 치수 (COPLANARITY OF SOLDER TAILS) : 0.1MAX
- 포장사항 : EMBOSS TAPE
- AVAILABLE CIRCUITS

Circuits (N)	Part Information	
	Part No.	Color
4	MG645935-*	(Non) : Natural
		2 : Blue
		3 : Yellow
		5 : Black

- 본 부품은 ES91500-03 향을 만족할 것.

NOTE

- MUST BE FREE OF BURR, WELDLINE AND IMPERFECTION THAT AFFECT FUNTION.
- 6HAZARDOUS SUBSTANCES IN PARTS (Lead, Mercury, Cadmium, Hexavalent Chromium, PBBs, PBDEs) SHALL NOT EXCEED THE MAXIMUM PERMISSIBLE CONCENTRATION PRESCRIBED UNDER EU ELV DIRECTIVE & RoHS REGULATION
- PACKAGE : EMBOSS TAPE

3	METAL FITTING	COPPER ALLOY	-	Ni+SnP	2	
2	WAFER TERMINAL	COPPER ALLOY	-	Ni+SnP	4	
1	WAFER HOUSING	NYLON	NATURAL	-	1	
NO.	PART NAME	MATERIAL	COLOR	FINISH	Q'ty	REMARK
				MATERIAL	SEE TABLE	
				FINISH	SEE TABLE	
				WIRE RANGE	—//—	CLASS WIRE TO BOARD
				INSULATION	—//—	TYPE 2.0mm VRT SMD
△	ECO-1803-168에 따른 설계 변경	KSK	LKN	KHC	18.03.13	
LTR	REVISION RECORD	DR.	CHK.	APP.	DATE	TOLERANCE EXCEPT AS NOTED SEE TABLE
	DR. HC.KWON 2012.03.14			CHK. YJ.JO 2012.03.14		SCALE 5/1
	CHK.			APP. WC.BAEK 2012.03.14		PART NO. MG645935-*
						PART NAME
						2.0mm W TO B WAFER 4P ASSY VERTICAL

