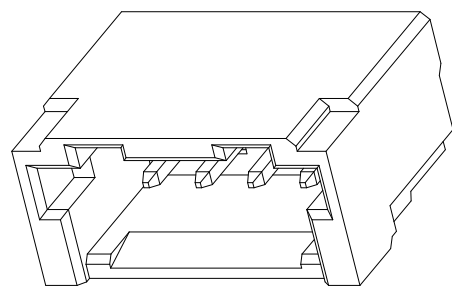
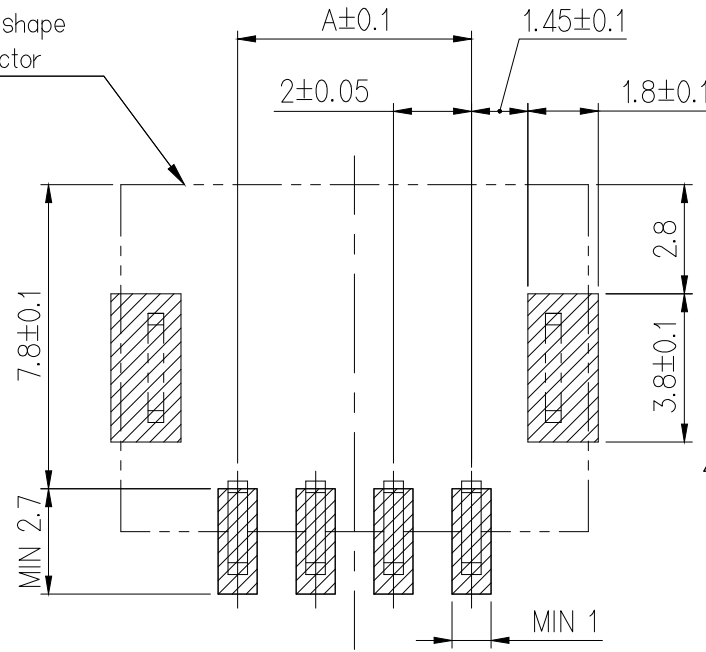


GENERAL TOLERANCE (HOUSING)							USED ON
10MAX	50MAX	100MAX	250MAX	250VR	ANGLE	ECCENT	
±0.2	±0.3	±0.55	±0.95	±1.4	±30'	0.1	



< ISO VIEW >

External shape of connector



Recommendable P.C.B layout

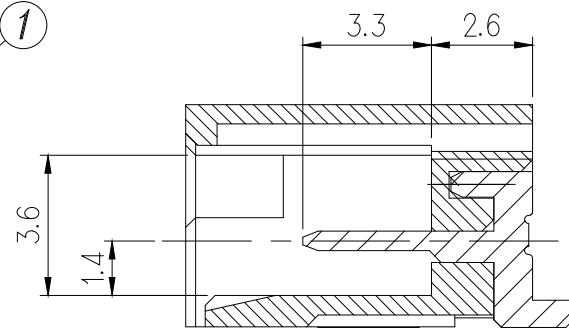
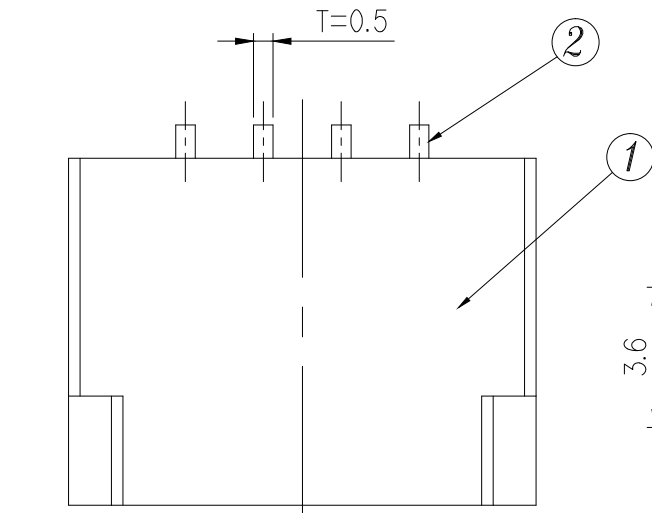
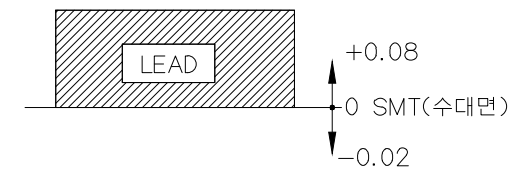
주 기

1. 기능상 유해한 BURR 및 WELDLINE 등이 없을 것.
2. 제품 내 함유된 10대 유해물질 (Pb, Hg, Cd, Cr+6, PBBs, PBDEs, DEHP, DBP, BBP, DIBP)은 EU ELV 지침 및 RoHS 법규에서 지정한 최대 허용 농도를 초과해서는 안된다.
3. 포장사양 : EMBOSS TAPE
4. ES91500-03 / E91500-02 / MS201-02 SPEC.에 준할 것.

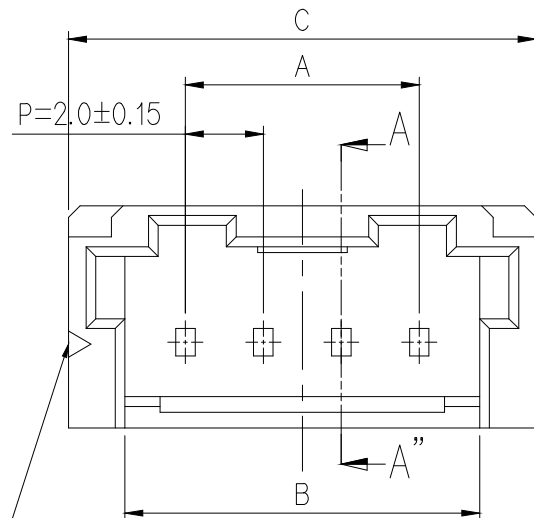
NOTE

1. MUST BE FREE OF BURR, WELDLINE AND IMPERFECTION THAT AFFECT FUNTION.
2. 10 HAZARDOUS SUBSTANCES IN PARTS (Pb, Hg, Cd, Cr+6, PBBs, PBDEs, DEHP, DBP, BBP, DIBP) SHALL NOT EXCEED THE MAXIMUM PERMISSIBLE CONCENTRATION PRESCRIBED UNDER EU ELV DIRECTIVE & RoHS REGULATION
3. PACKAGE : EMBOSS TAPE
4. MUST BE SATISFIED WITH ES91500-03 / E91500-02 / MS201-02 SPEC

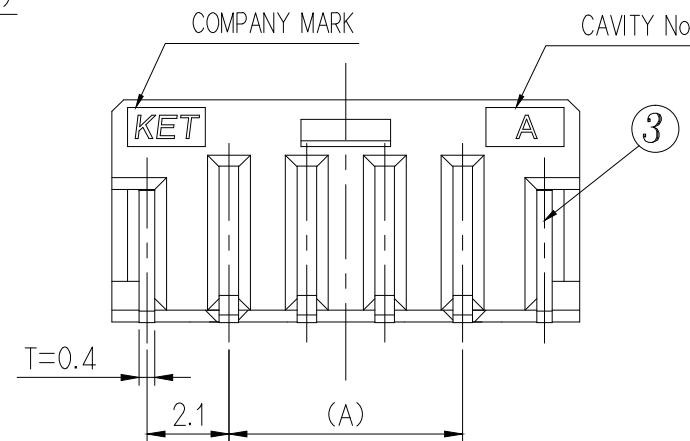
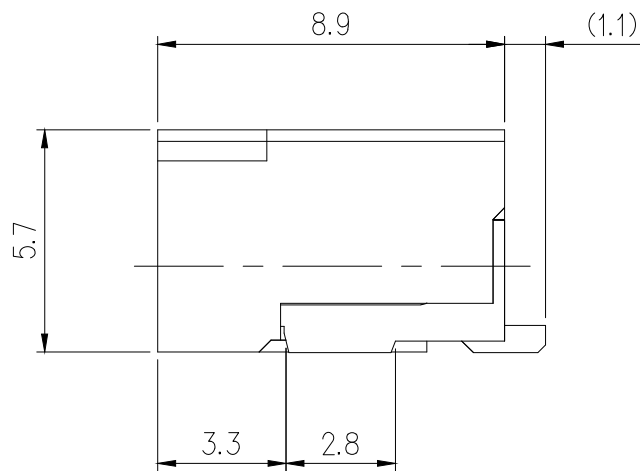
* LEAD 평탄도 관리 치수 (COPLANARITY OF SOLDER TAILS)



Section A-A



△ Circuit No. MARK(1~)



△ * AVAILABLE CIRCUITS

Circuits (N)	Part No.	Color(**)					Dimension			Remark
		Natural	Blue	Yellow	Black	Brown	A	B	C	
2	Sn K500024-**	02	2	3	5	-	2.0	5.1	8.0	-
	Au MG645959-*	Blank								
3	Sn K500025-**	03	2	3	5	-	4.0	7.1	10.0	-
	Au MG645960-*	Blank								
4	Sn K500026-**	04	2	3	5	-	6.0	9.1	12.0	-
	Au MG645899-*	Blank								
5	Sn MG646220-*	Blank	2	-	5	-	8.0	11.1	14.0	-
	Au MG646239-*	-	-	-	-	7				
	Au MG646457-*	-	-	-	-	-	-	-	-	-
6	Sn K500027-**	06	2	3	5	-	10.0	13.1	16.0	-
	Au MG645961-*	Blank								
7	Sn MG646235-*	Blank	2	-	5	-	12.0	15.1	18.0	-
	Au MG646240-*	Blank								
8	Sn MG646236-*	Blank	2	-	5	-	14.0	17.1	20.0	-
	Au MG646241-*	Blank								
9	Sn MG646237-*	Blank	2	-	5	-	16.0	19.1	22.0	-
	Au MG646242-*	Blank								
10	Sn MG646238-*	Blank	2	-	5	-	18.0	21.1	24.0	-
	Au MG646243-*	Blank								

3	METAL FITTING	COPPER ALLOY(t=0.4)	-	Ni+Sn	2	
2	CONTACT	COPPER ALLOY(t=0.5)	-	Ni+Sn / Ni+Au	N	
1	HOUSING	NYLON	SEE TABLE	-	1	
No.	Part Name	Material	Color	Finish	Q'ty	Remark
LTR REVISION RECORD		DR.	CHK.	APP.	DATE	TOLERANCE EXCEPT AS NOTED
DR. HC. KWON 2012.03.14		CHK. YJ.JO 2012.03.14		SCALE 5/1		PART NO. SEE TABLE
CHK.		APP. WC.BAEK 2012.03.14		PART NAME		2.0mm Wire to Board WAFER ASSY HZT



ISSUE MARK



CLASS Wire to Board Connector
TYPE 2.0mm Pitch SMD

PART NO. SEE TABLE

2.0mm Wire to Board WAFER ASSY HZT