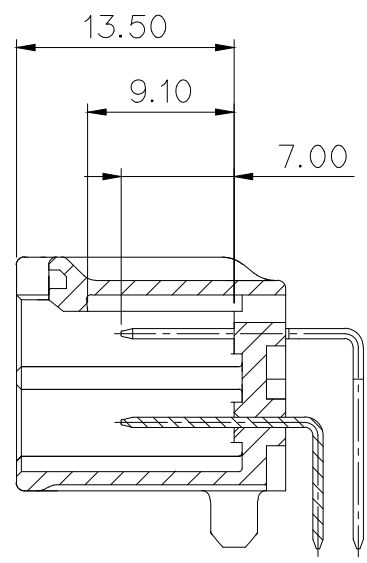
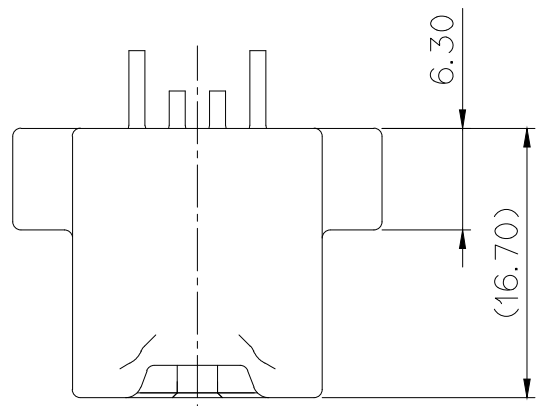
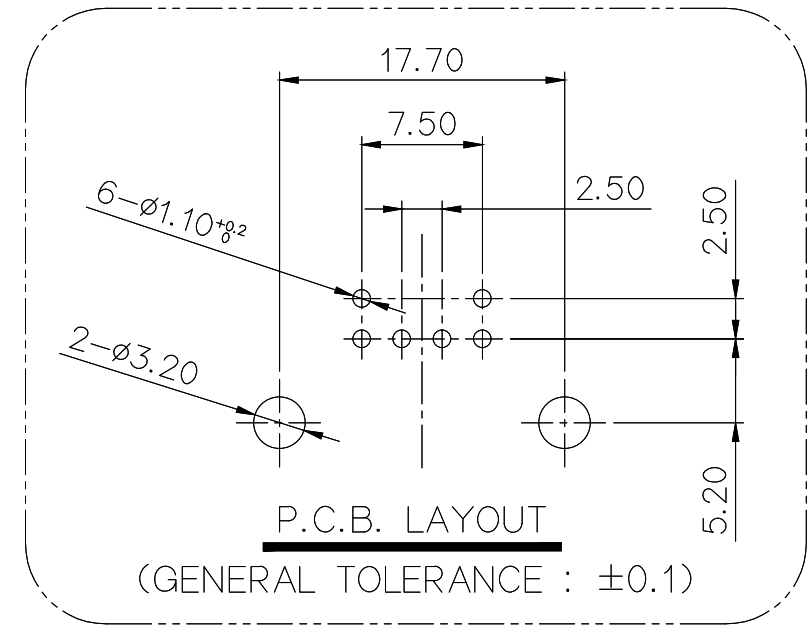


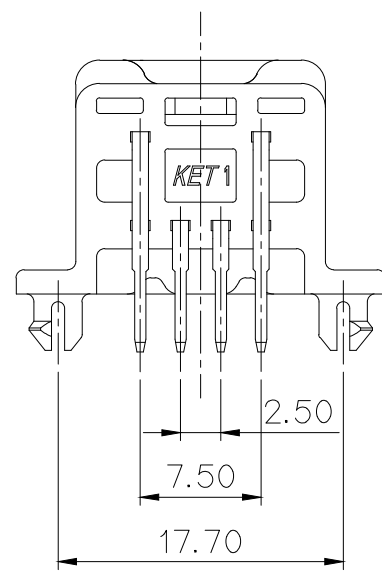
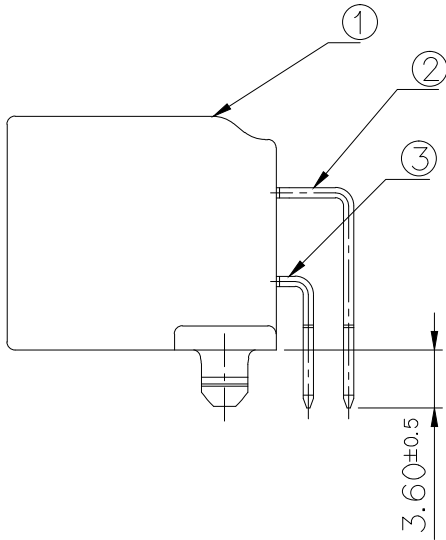
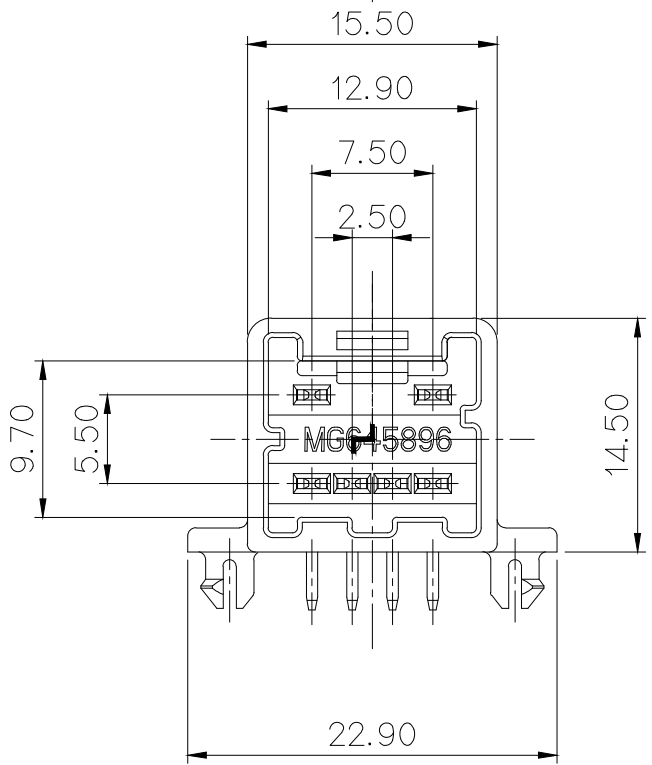
NO.	PART NAME	PART NO	MATERIAL	FINISH	Q'TY
①	040III 6M PCB HOUSING_HOOK(HZT)	MG676365	SEE TABLE	SEE TABLE	1 EA
②	040III PCB MALE TERMINAL (L)	ST793272-2	BRASS	Sn 후도금-무광 (Reflow)	2 EA
③	040III PCB MALE TERMINAL (S)	ST793273-2		Sn 후도금-무광 (Reflow)	4 EA

GENERAL TOLERANCE (TERMINAL)					GENERAL TOLERANCE (HOUSING)							USED ON
10MAX	20MAX	45MAX	ANGLE	ECCENT	10MAX	50MAX	100MAX	250MAX	250VR	ANGLE	ECCENT	
±0.2	±0.25	±0.3	±30'	0.1	±0.2	±0.3	±0.55	±0.95	±1.4	±30'	0.1	

NO.	MATERIAL	COLOR
* 0	PBT-GF30	NATURAL
1		RED
2		BLUE
20		JADE
3		YELLOW
4		GRAY
40		DARK GRAY
41		LIGHT GRAY
5		BLACK
6		DARK GREEN
7		BROWN
8	LIGHT GREEN	
9	MAGENTA	
11	ORANGE	



SECTION A-A

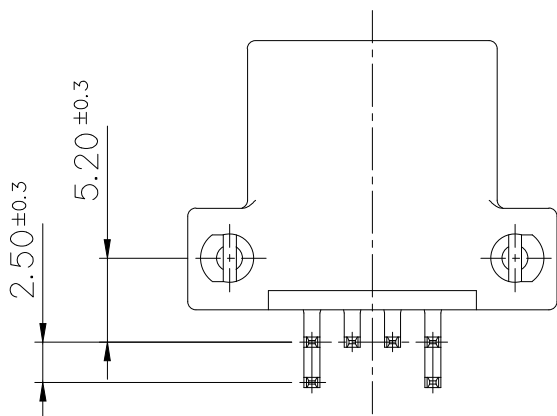


NOTE

- UNLESS OTHERWISE SPECIFIED ALL R TO BE 0.3 RADIUS.
- MUST BE FREE OF BURR AND IMPERFECTION THAT AFFECT FUNCTION.
- APPLICATION FEMALE HOUSING : MG653005
- TIN-PLATED TERMINAL
TYPE A Sn(MATTE), (MS915-01)
Ni-PLATED UNDER + Sn(MATTE) + Reflow
- 6 HAZARDOUS SUBSTANCES IN PARTS (LEAD, MERCURY, CADMIUM, HEXAVALENT CHROMIUM, PBBs, PBDEs) SHALL NOT EXCEED THE MAXIMUM PERMISSIBLE CONCENTRATION PRESCRIBED UNDER EU ELV DIRECTIVE & RoHS REGULATION.

주 기

- 지시하지 않은 반경 R은 0.3로 한다
- 기능상 유해한 BURR 및 변형이 없을것.
- 적용 FEMALE HOUSING : MG653005
- 단자 주석 도금
TYPE A Sn(무광택), (MS915-01)
Ni 하지 도금 + Sn(무광) + Reflow
- 제품내 함유된 6대 유해물질 (납,수은,카드뮴,6가크롬, PBBs,PBDEs)은 EU ELV 지침 및 RoHS 법규에서 지정한 최대 허용 농도를 초과해서는 안된다.



APPROVED

2019-11-05

KOREA ELECTRIC
TERMINAL CO., LTD.
Connector Development Team 3

ISSUE MARK

MATERIAL	SEE TABLE		KOREA ELECTRIC TERMINAL CO., LTD.	
FINISH	SEE TABLE		CLASS	040III
WIRE RANGE		INSULATION	TYPE	
INSULATION		TOLERANCE EXCEPT AS NOTED	SCALE	2/1
LTR	REVISION RECORD	DR.	APP.	DATE
DR.	JY.K '15.01.27	CHK.	YSW '15.01.27	
CHK.		APP.	BIN '15.01.27	
PART NAME		040III 6M PCB ASSY_HOOK(HZT)		
		PART NO. MG645896		