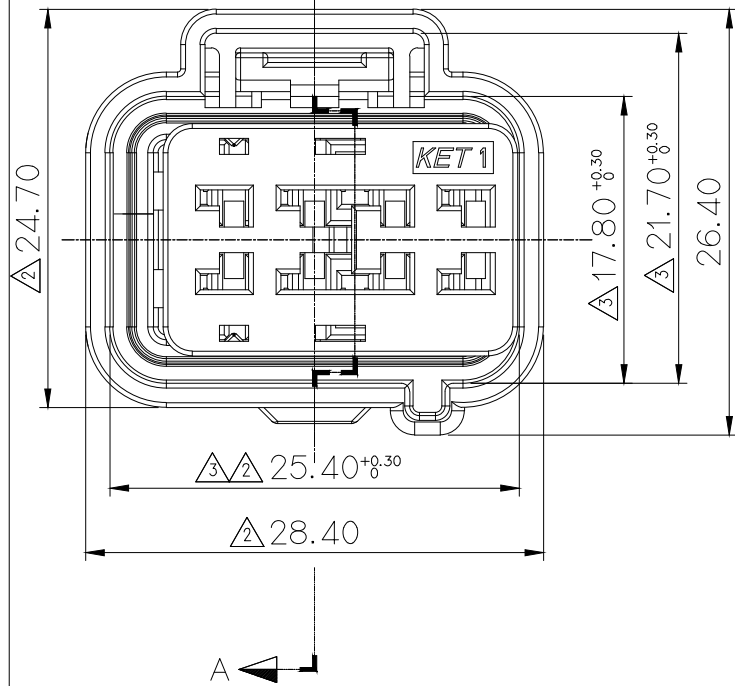
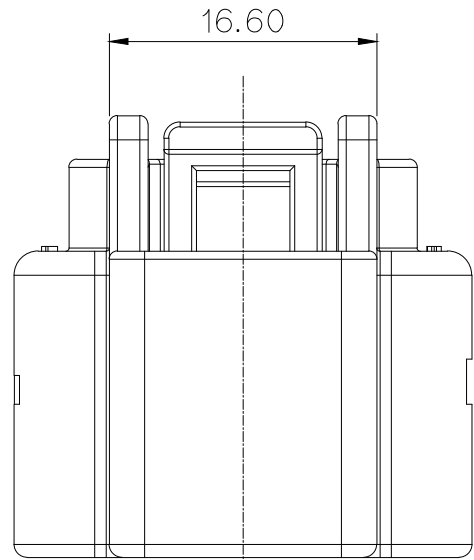
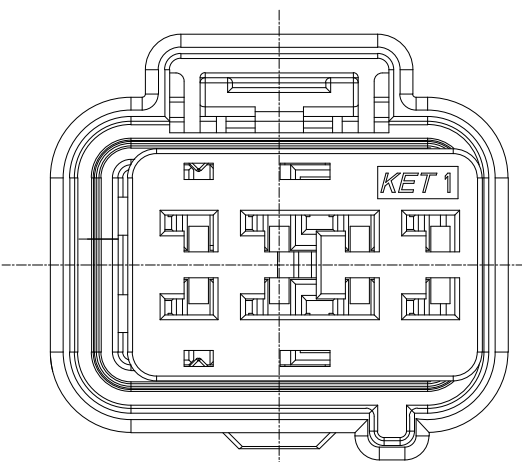


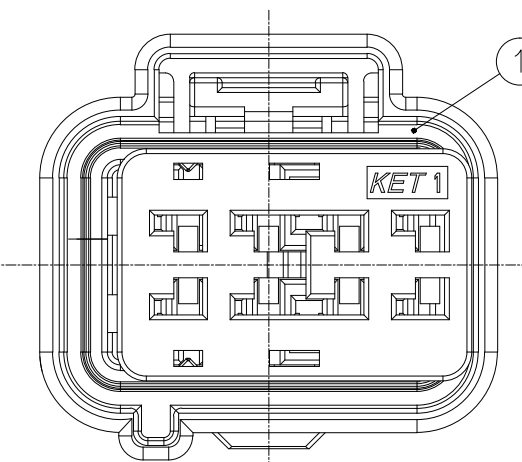
ISO VIEW



N060 WP 8F ASSY (CODE A)

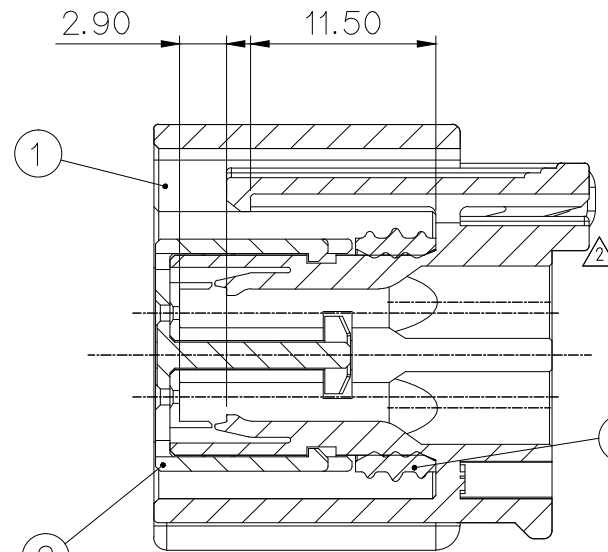
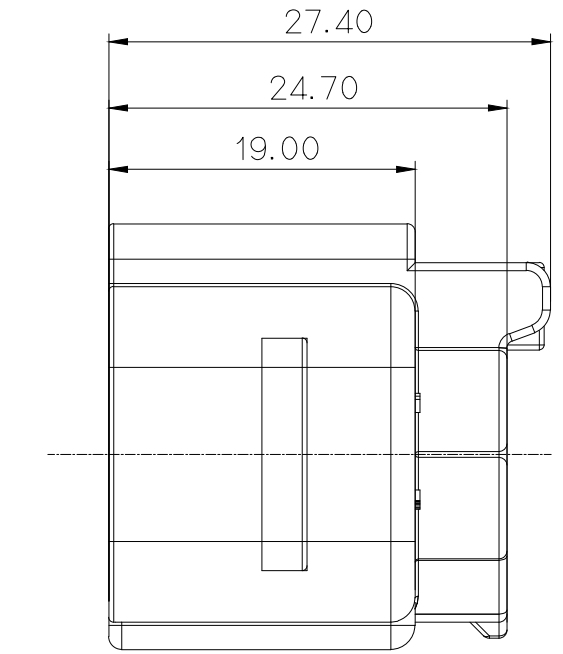


N060 WP 8F ASSY (CODE B)

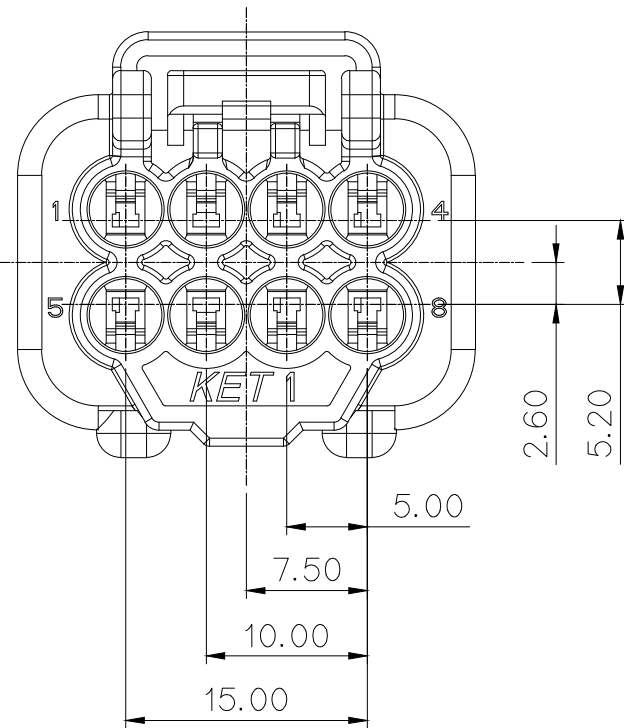


NO.	ASSY NO.	PART NO.	PART NAME	MATERIAL	FINISH
①		MG676347	N060 WP 8F HOUSING (CODE A)	PBT+GF15	BLACK
②	MG645879	MG675784	N060 WP 8F SIDE HOLDER	PBT+GF15	NATURAL
③		R602527	N060 WP 8F INNER SEAL	SILICONE	RED

NO.	ASSY NO.	PART NO.	PART NAME	MATERIAL	FINISH
①		MG676348	N060 WP 8F HOUSING (CODE B)	PBT+GF15	BLACK
②	MG645880	MG675784	N060 WP 8F SIDE HOLDER	PBT+GF15	NATURAL
③		R602527	N060 WP 8F INNER SEAL	SILICONE	RED



SECTION A-A



GENERAL TOLERANCE (HOUSING)

10MAX	30MAX	50MAX	70MAX	100MAX	120MAX	250MAX	250VR	ANGLE	USED ON
±0.15	±0.20	±0.30	±0.40	±0.50	±0.75	±0.90	±1.40	±30'	

주 기

- 1.기능상 유해한 BURR 및 WELDLINE등이 없을 것.
- 2.적용 TERMINAL : △ST731368, 1369-3, 1368-S, 1369-S  
적용 WIRE SEAL : MG685390/5391/5392/5393  
적용 DUMMY SEAL : MG685394
- 3.상대 CONNECTOR :MG655673
- 4.제품내 함유된 6대 유해물질 (납,수은,카드뮴,6가크롬, PBBs,PBDEs)은 EU ELV 지침 및 RoHS 법규에서 지정한 최대 허용 농도를 초과해서는 안된다.

NOTE

1. MUST BE FREE OF BURR, WELDLINE AND IMPERFECTION THAT AFFECT FUNCTION.
2. APPLICABLE TERMINAL : △ST731368, 1369-3, 1368-S, 1369-S  
APPLICABLE WIRE SEAL : MG685390/5391/5392/5393  
APPLICABLE DUMMY SEAL : MG685394
3. MATCHING CONNECTOR : MG655673
4. 6 HAZARDOUS SUBSTANCES IN PARTS (LEAD MERCURY,CADMIUM,HEXAVALENT CHROMIUM, PPBs,PPDEs) SHALL NOT EXCEED THE MAXIMUM PERMISSIBLE CONCENTRATION PRESCRIBED UNDER EU ELV DIRECTIVE & RoHS REGULATION.

APPROVED

2016-03-11

KOREA ELECTRIC  
TERMINAL CO., LTD.  
Korea Electric Terminal Co., LTD.

ISSUE MARK

LTR	REVISION RECORD	DR.	CHK.	CHK.	APP.	DATE
DR.	RJH	2014.11.17	CHK.			
CHK.	HYJ	2014.11.17	APP.	LSY	2014.11.17	

MATERIAL	SEE TABLE		KOREA ELECTRIC TERMINAL CO., LTD.
FINISH	SEE TABLE		
WIRE RANGE		CLASS	060
INSULATION		TYPE	WP
TOLERANCE EXCEPT AS NOTED	SEE TABLE	SCALE	2/1
PART NAME	N060 WP 8F ASSY (CODE A) N060 WP 8F ASSY (CODE B)		
PART NO.	MG645879 MG645880		