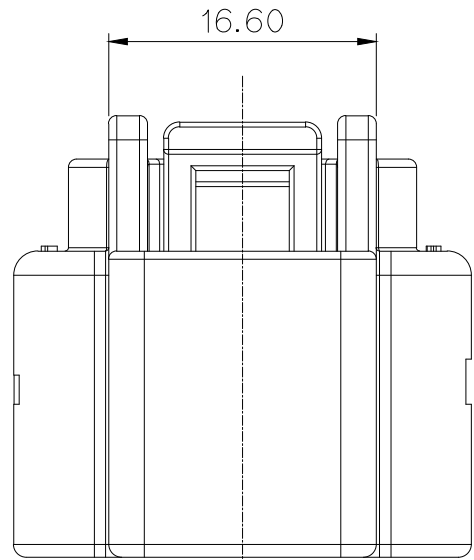
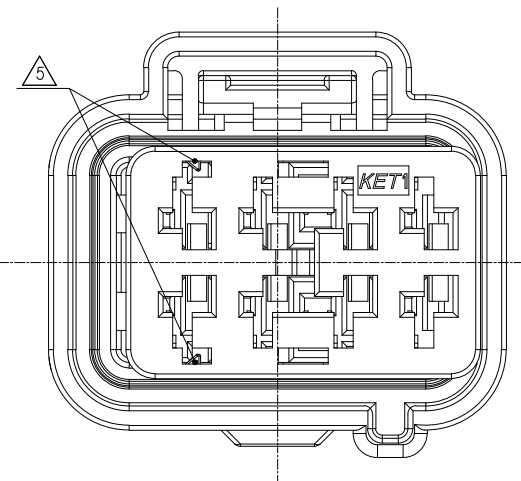


ISO VIEW

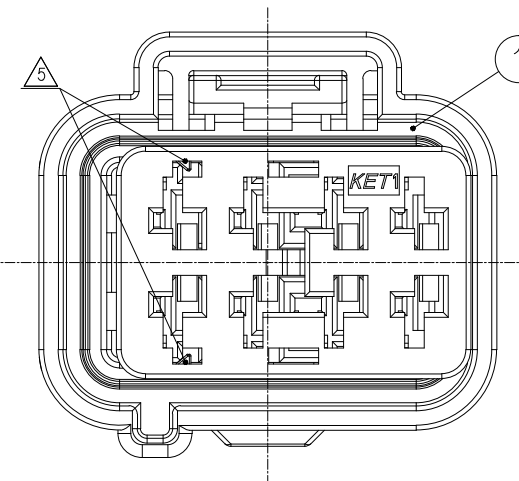


N060 WP 8F ASSY (CODE A)



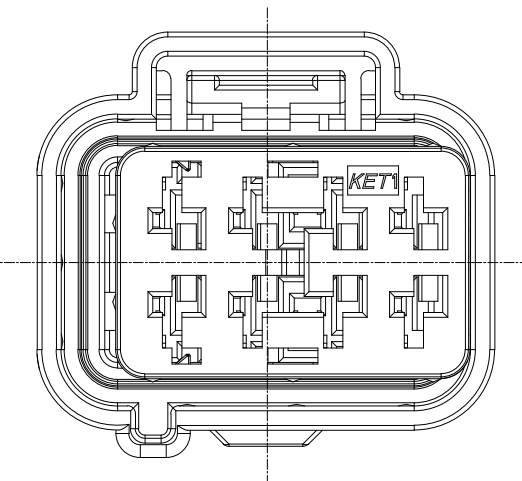
NO.	ASSY NO.	PART NO.	PART NAME	MATERIAL	FINISH
①		MG676347	N060 WP 8F HOUSING (CODE A)	PBT+GF15	BLACK
②	MG645879	MG675784	N060 WP 8F SIDE HOLDER	PBT+GF15	NATURAL
③		R602527	N060 WP 8F INNER SEAL	SILICONE	RED

N060 WP 8F ASSY (CODE B)

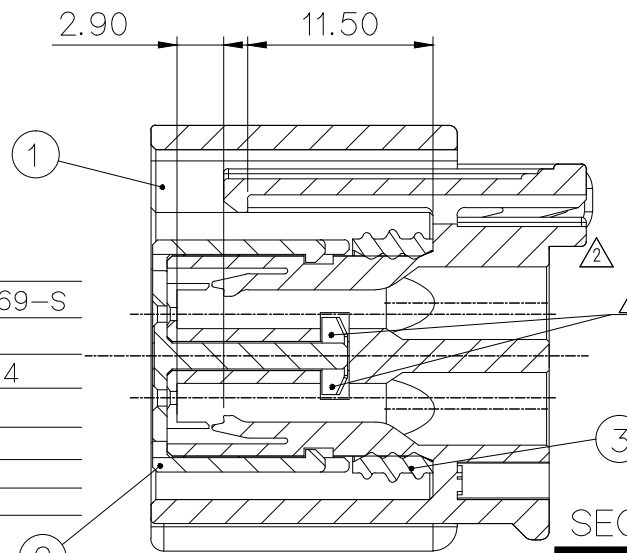
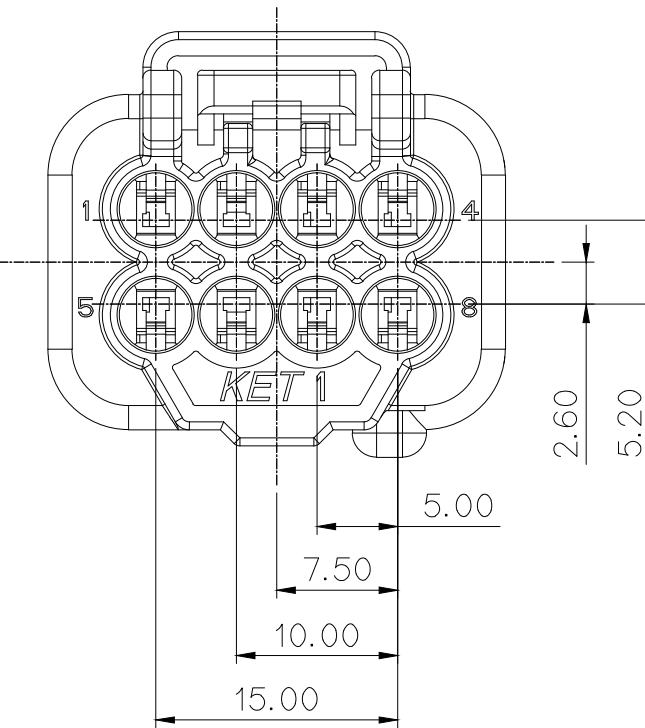
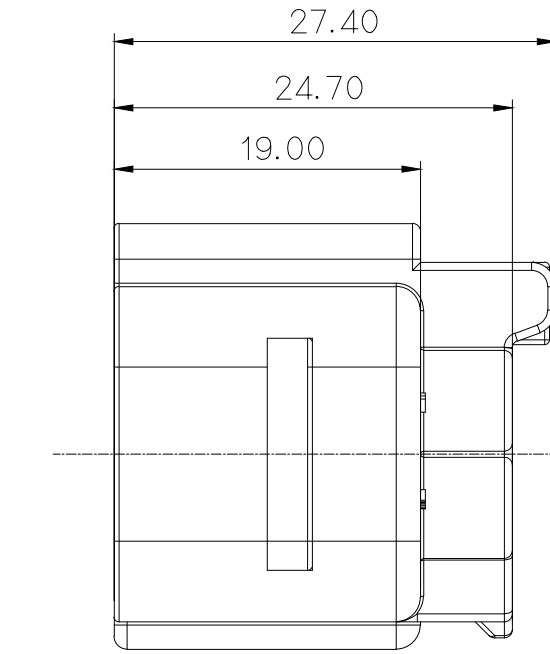
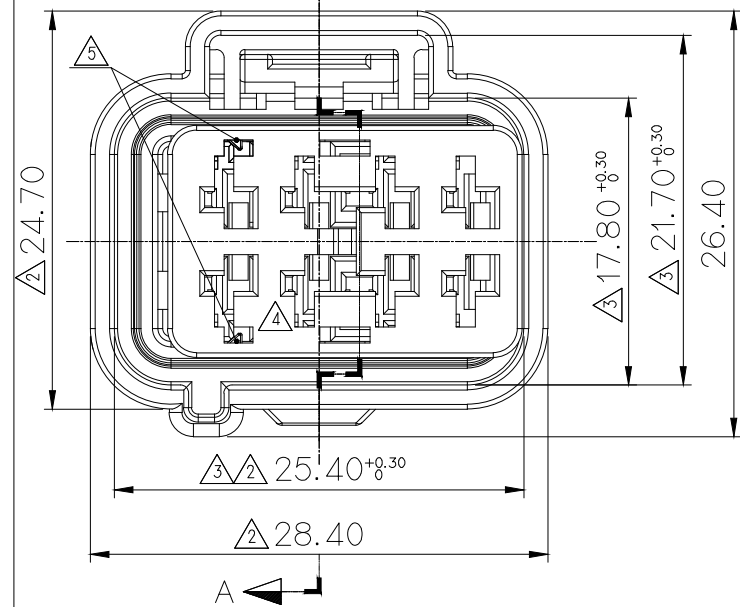


NO.	ASSY NO.	PART NO.	PART NAME	MATERIAL	FINISH
①		MG676348	N060 WP 8F HOUSING (CODE B)	PBT+GF15	BLACK
②	MG645880	MG675784	N060 WP 8F SIDE HOLDER	PBT+GF15	NATURAL
③		R602527	N060 WP 8F INNER SEAL	SILICONE	RED

△N060 WP 8F ASSY (CODE B)
(FCA EXCLUSIVE)



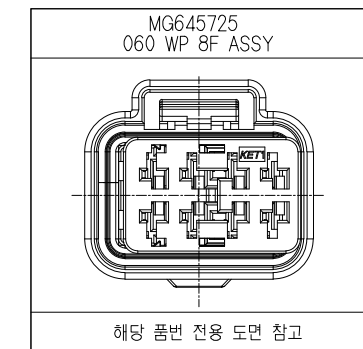
NO.	ASSY NO.	PART NO.	PART NAME	MATERIAL	FINISH
①		MG676348-5F	N060 WP 8F HOUSING (CODE B) (FCA EXCLUSIVE)	PBT+GF15	BLACK
②	MG645880-5F	MG675784-F	N060 WP 8F SIDE HOLDER (FCA EXCLUSIVE)	PBT+GF15	NATURAL
③		R602527	N060 WP 8F INNER SEAL	SILICONE	RED



SECTION A-A

NOTE

- MUST BE FREE OF BURR, WELDLINE AND IMPERFECTION THAT AFFECT FUNCTION.
- APPLICABLE TERMINAL : △ST731368, 1369-3, 1368-S, 1369-S
APPLICABLE WIRE SEAL : MG685390/5391/5392/5393
APPLICABLE DUMMY SEAL : △MG685502(IMPROVED), MG685394
- MATCHING CONNECTOR : MG655673
- 6 HAZARDOUS SUBSTANCES IN PARTS (LEAD, MERCURY, CADMIUM, HEXAVALENT CHROMIUM, PBBs, PPDEs) SHALL NOT EXCEED THE MAXIMUM PERMISSIBLE CONCENTRATION PRESCRIBED UNDER EU ELV DIRECTIVE & RoHS REGULATION.



APPROVED

2021-10-25

KOREA ELECTRIC
TERMINAL CO., LTD.
Korea Electric Te
rminal Co., LTD.

ISSUE MARK

주 기

- 기능상 유해한 BURR 및 WELDLINE 등이 없을 것.
- 적용 TERMINAL : △ST731368, 1369-3, 1368-S, 1369-S
적용 WIRE SEAL : MG685390/5391/5392/5393
적용 DUMMY SEAL : △MG685502(개선품), MG685394
- 상대 CONNECTOR : MG655673
- 제품내 함유된 6대 유해물질 (납, 수은, 카드뮴, 6가크롬, PBBs, PBDEs)은 EU ELV 지침 및 RoHS 법규에서 지정한 최대 허용 농도를 초과해서는 안된다.

△	ECO-2103-258	근거 도면 변경	STJ	KSC	CJH	2021.03.18
---	--------------	----------	-----	-----	-----	------------

△	ECO-2101-117	근거 도면 변경	SDI	KSC	CJH	2020.01.13
---	--------------	----------	-----	-----	-----	------------

△	ECO-2005-193	근거 도면 변경	STJ	KSC	CJH	2020.05.20
---	--------------	----------	-----	-----	-----	------------

△	ECO-1801-062	근거 도면 변경 (N060 단자 미상의 검지 개선)	SY.L	-	HYJ	CJH	2018.01.05
---	--------------	------------------------------	------	---	-----	-----	------------

△	ECO-1606-229	근거 도면 변경 (외로검사기 외면접촉 변경)	KCS	-	CKY	LSY	2016.06.20
---	--------------	--------------------------	-----	---	-----	-----	------------

△	ECO-1510-112	근거 도면 제작성 도면현실화	RJH	-	-	SUK	2015.10.07
---	--------------	-----------------	-----	---	---	-----	------------

△	ECO-1508-417	근거 도면 제작성 LEVER 결의 방지 RIB중대 및 도면현실화	JH.K	RJH	HYJ	SUK	2015.08.31
---	--------------	-------------------------------------	------	-----	-----	-----	------------

△	ECO-1804-512	근거 도면 제작성 은도금 단자 사양 추가의 건	CHW	HYJ	-	LSY	2015.06.01
---	--------------	---------------------------	-----	-----	---	-----	------------

LTR	REVISION RECORD	DR.	CHK.	CHK.	APP.	DATE
-----	-----------------	-----	------	------	------	------

LTR	REVISION RECORD	DR.	CHK.	CHK.	APP.	DATE
DR.	RJH	2014.11.17	CHK.			
CHK.	HYJ	2014.11.17	APP.	LSY	2014.11.17	

TOLERANCE EXCEPT AS NOTED	SCALE	PART NAME
SEE TABLE	2/1	N060 WP 8F ASSY (CODE A) N060 WP 8F ASSY (CODE B)
MATERIAL	SEE TABLE	KOREA ELECTRIC TERMINAL CO., LTD. Korea Electric Te rminal Co., LTD.
FINISH	SEE TABLE	
WIRE RANGE		CLASS 060
INSULATION		TYPE WP
PART NO.	SEE TABLE	