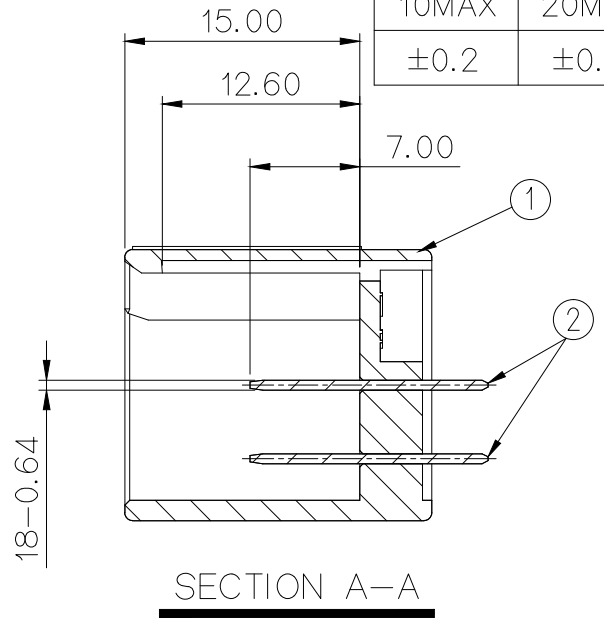
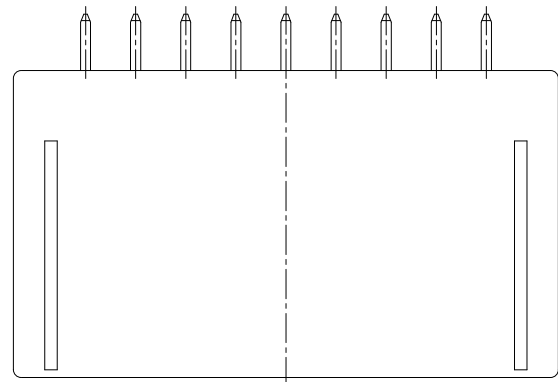
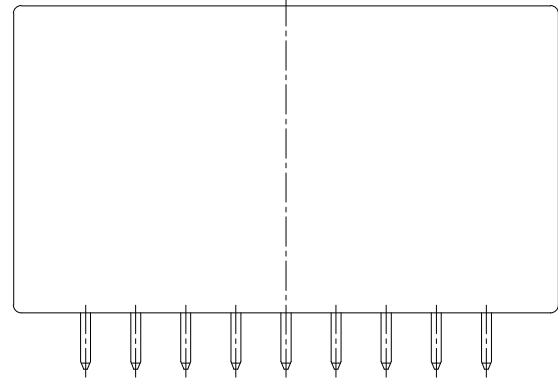
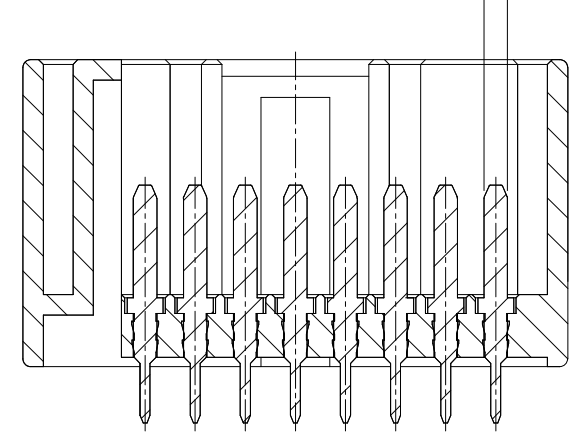
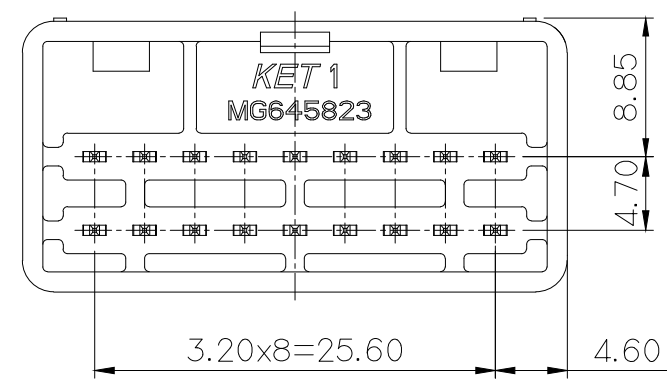
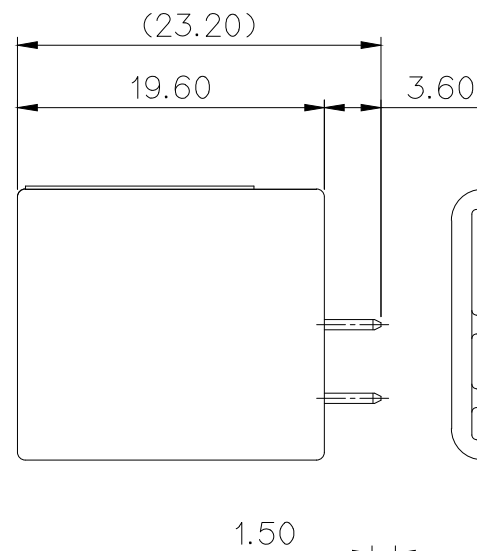
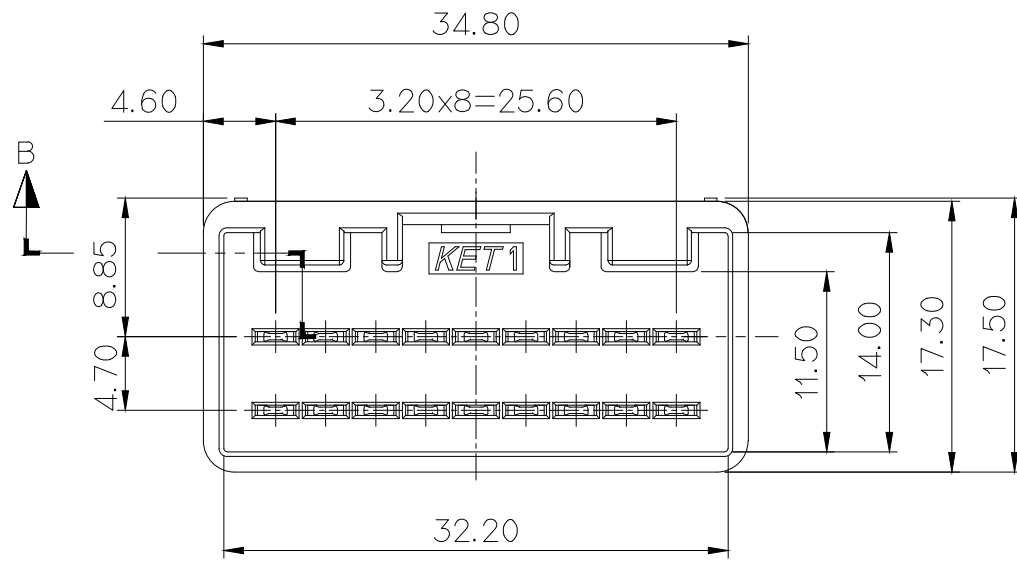
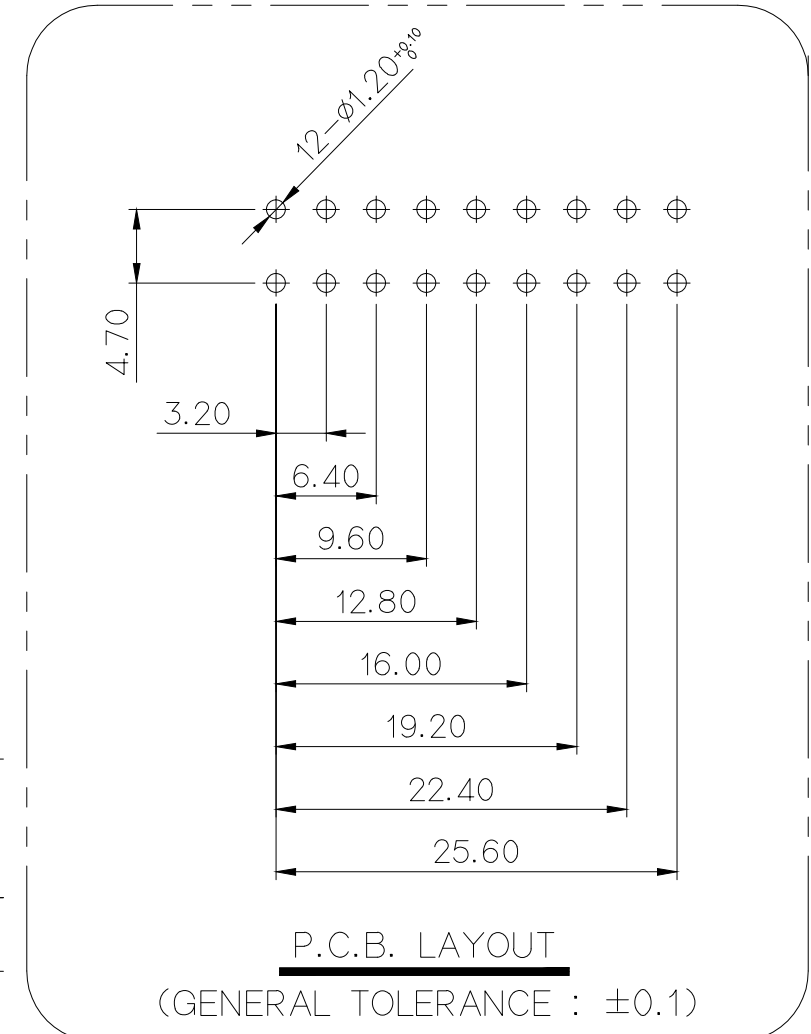


GENERAL TOLERANCE (TERMINAL)					GENERAL TOLERANCE (HOUSING)							USED ON
10MAX	20MAX	45MAX	ANGLE	ECCENT	10MAX	50MAX	100MAX	250MAX	250VR	ANGLE	ECCENT	
±0.2	±0.25	±0.3	±30'	0.1	±0.2	±0.3	±0.55	±0.95	±1.4	±30'	0.1	



NO.	MATERIAL	COLOR
* 0		NATURAL
1		RED
2		BLUE
20		JADE
3		YELLOW
4		GRAY
40	P B T+GF30	DARK GRAY
41		LIGHT GRAY
5		BLACK
6		DARK GREEN
7		BROWN
8		LIGHT GREEN
9		MAGENTA
11		ORANGE



- 주 기**
- 기능상 유해한 BURR 등 변형이 없을것.
 - 적용 FEMALE HOUSING : MG655628
 - 제품내 함유된 6대 유해물질 (납,수은,카드뮴,6가크롬, PBBs, PBDEs)은 EU ELV 지침 및 RoHS 법규에서 지정한 최대 허용 농도를 초과해서는 안된다.

NOTE

- MUST BE FREE OF FLASH, SINK AND IMPERFECTION THAT AFFECT FUNCTION.
- APPLICABLE FEMALE HOUSING : MG655628
- 6 HAZARDOUS SUBSTANCES IN PARTS (LEAD, MERCURY, CADMIUM, HEXAVALENT CHROMIUM, PBBs, PBDEs) SHALL NOT EXCEED THE MAXIMUM PERMISSIBLE CONCENTRATION PRESCRIBED UNDER EU ELV DIRECTIVE & RoHS REGULATION.

APPROVED
2019-11-06
KOREA ELECTRIC TERMINAL CO., LTD.
Korea Electric Terminal Co., LTD.

NO.	PART NAME	PART NO.	MATERIAL	FINISH	QTY.
①	060 18M PCB HS'G (VRT-TYPE B)	MG676126	SEE TABLE	SEE TABLE	1
②	060 PCB MALE TM'L (SS)	ST792486-3	BRASS	PRE-TIN	18

MATERIAL	SEE TABLE	KOREA ELECTRIC TERMINAL CO., LTD.
FINISH	SEE TABLE	
WIRE RANGE	CLASS 060	
INSULATION	TYPE	
TOLERANCE EXCEPT AS NOTED	SCALE 2/1	PART NO. MG645823
PART NAME		060 18M PCB ASSY (VRT-TYPE B)

LTR	REVISION RECORD	DR.	CHK.	APP.	DATE
	KTH. '14.01.09	CHK.	CKY.		'14.01.13
	WSW. '14.01.13	APP.	CWK.		'14.01.13

ISSUE MARK