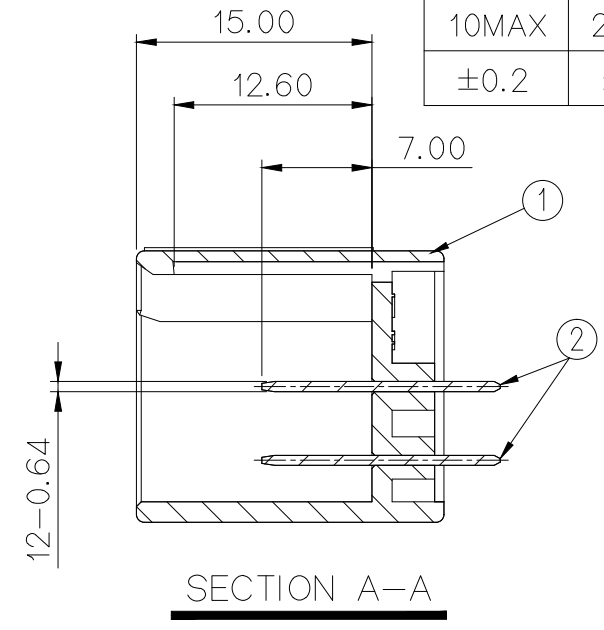
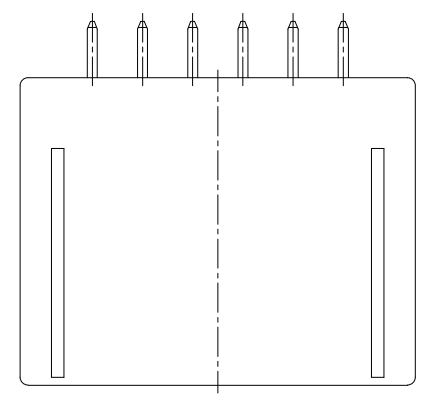
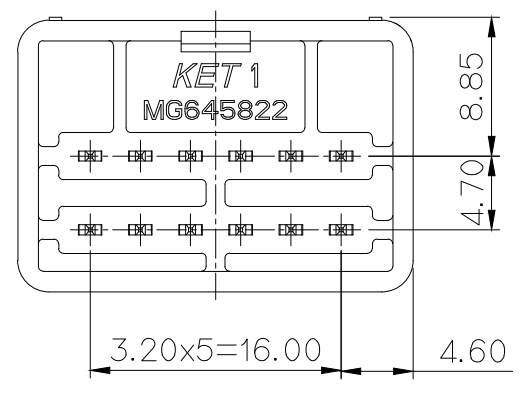
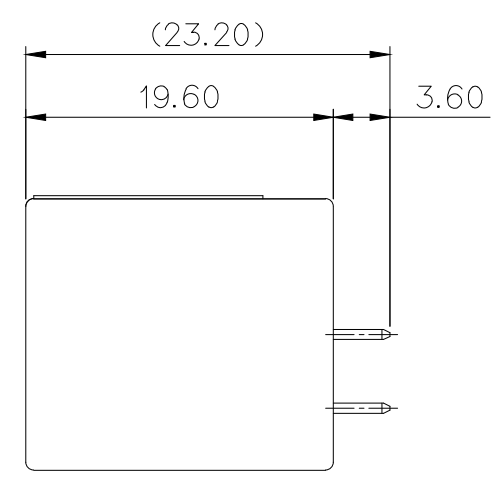
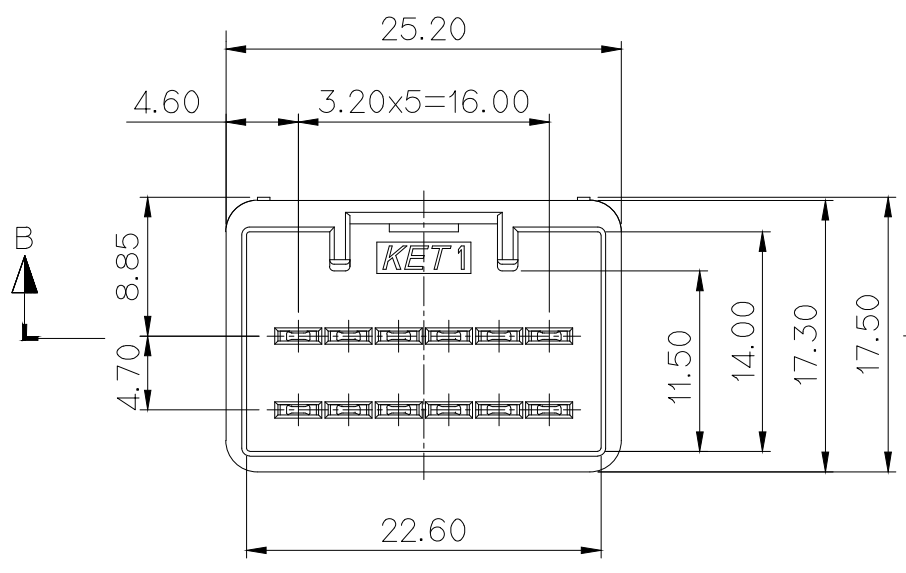
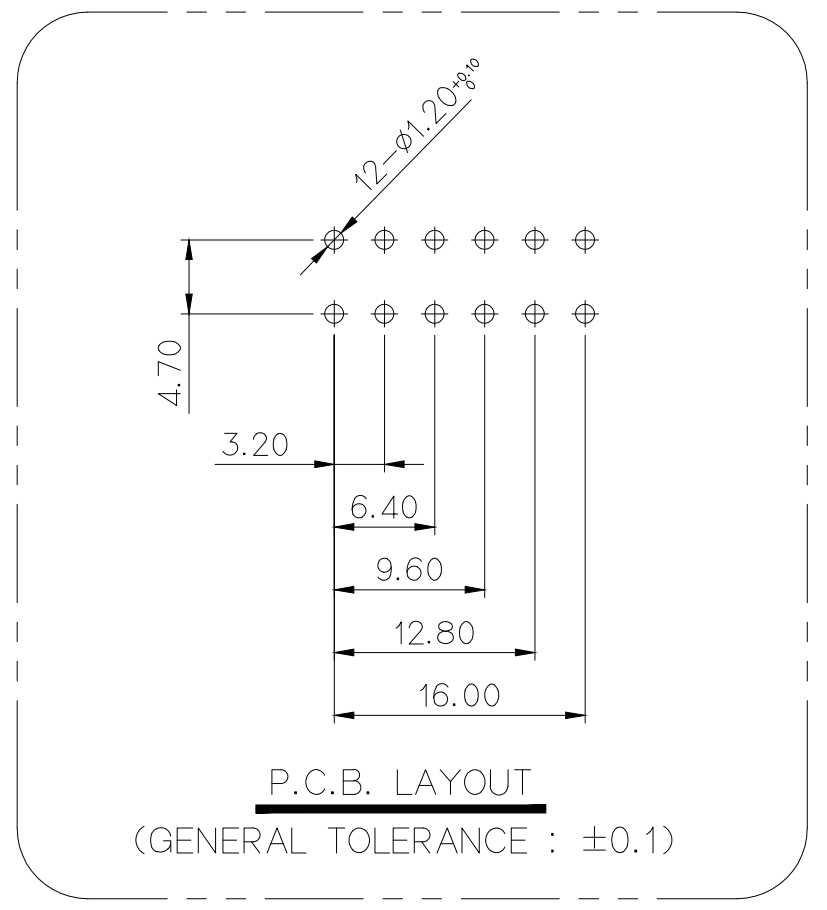


GENERAL TOLERANCE (TERMINAL)					GENERAL TOLERANCE (HOUSING)							USED ON
10MAX	20MAX	45MAX	ANGLE	ECCENT	10MAX	50MAX	100MAX	250MAX	250VR	ANGLE	ECCENT	
±0.2	±0.25	±0.3	±30'	0.1	±0.2	±0.3	±0.55	±0.95	±1.4	±30'	0.1	



NO.	MATERIAL	COLOR
* 0		NATURAL
1		RED
2		BLUE
20		JADE
3		YELLOW
4		GRAY
40	P B T+GF30	DARK GRAY
41		LIGHT GRAY
5		BLACK
6		DARK GREEN
7		BROWN
8		LIGHT GREEN
9		MAGENTA
11		ORANGE

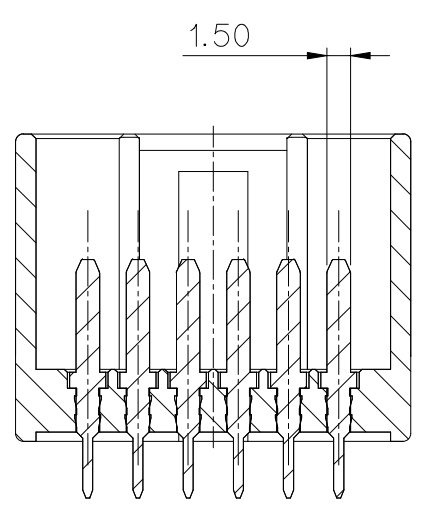


주 기

1. 기능상 유해한 BURR등 변형이 없을것.
2. 적용 FEMALE HOUSING : MG655613
3. 제품내 함유된 6대 유해물질 (납,수은,카드뮴,6가크롬, PBBs, PBDEs)은 EU ELV 지침 및 RoHS 법규에서 지정한 최대 허용 농도를 초과해서는 안된다.

NOTE

1. MUST BE FREE OF FLASH, SINK AND IMPERFECTION THAT AFFECT FUNCTION.
2. APPLICABLE FEMALE HOUSING : MG655613
3. 6 HAZARDOUS SUBSTANCES IN PARTS (LEAD,MERCURY,CADMIUM, HEXAVALENT CHROMIUM,PBBs,PBDEs) SHALL NOT EXCEED THE MAXIMUM PERMISSIBLE CONCENTRATION PRESCRIBED UNDER EU ELV DIRECTIVE & RoHS REGULATION.



SECTION B-B

APPROVED
2019-11-06
KOREA ELECTRIC
TERMINAL CO., LTD.
Korea Electric Te
rminal Co., LTD.

ISSUE MARK

NO.	PART NAME	PART NO.	MATERIAL	FINISH	QTY.
①	060 12M PCB HS'G (VRT-TYPE B)	MG676125	SEE TABLE	SEE TABLE	1
②	060 PCB MALE TM'L (SS)	ST792486-3	C2600R-H (0.64t)	PRE-TIN	12

MATERIAL	SEE TABLE	KIET KOREA ELECTRIC ENGINEERED TERMINAL CO., LTD.
FINISH	SEE TABLE	
WIRE RANGE		CLASS 060
INSULATION		TYPE
TOLERANCE EXCEPT AS NOTED	SEE TABLE	SCALE 2/1
PART NAME	060 12M PCB ASSY (VRT-TYPE B)	

△ 도면 이관 (개발->생산) ECO-1701-215권거 도면 재작성	CHW	LIM	SUK	17.01.13
LTR REVISION RECORD	DR.	CHK.	APP.	DATE
DR. CHW. '17.01.09	CHK. LIM. '17.01.10	APP. SUK. '17.01.10		