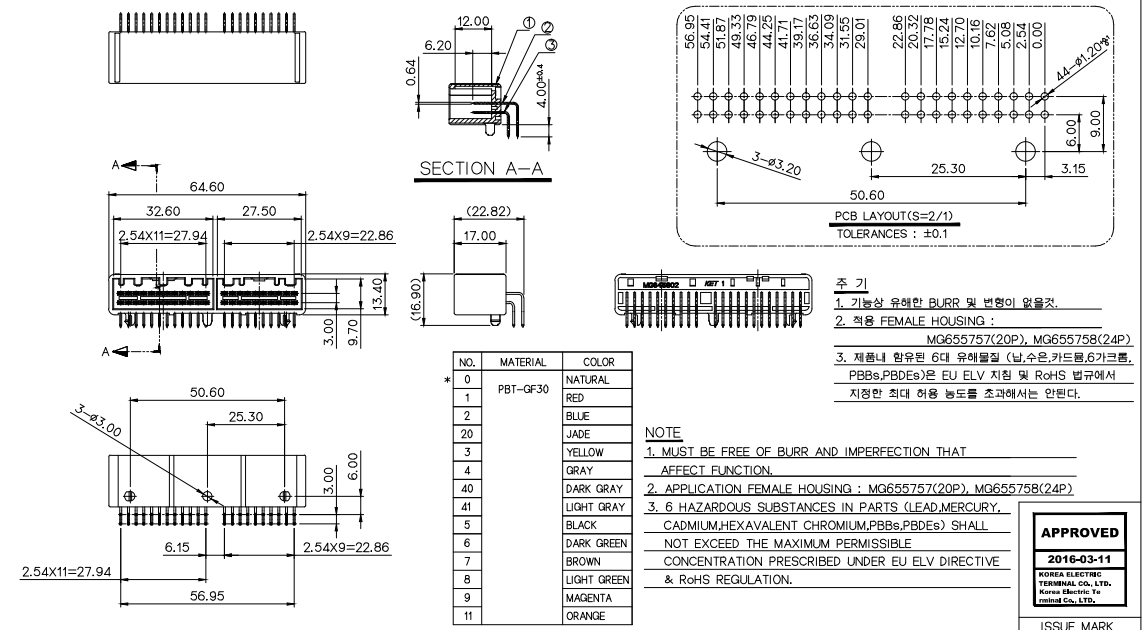


CUSTOMER DRAWING

PART NO. MG645802

GENERAL TOLERANCE (TERMINAL)					GENERAL TOLERANCE (HOUSING)					USED ON	
10MAX	20MAX	45MAX	ANGLE	ECCENT	10MAX	50MAX	100MAX	250MAX	250VR	ANGLE	ECCENT
±0.2	±0.25	±0.3	±30'	0.1	±0.2	±0.3	±0.55	±0.95	±1.4	±30'	0.1



NO.	PART NAME	PART NO.	MATERIAL	FINISH	QTY.
①	025 44M PCB HOUSING (HZT)	MG676064	SEE TABLE	SEE TABLE	1
②	025 PCB MALE TM'L-2.54 PITCH (L)	ST792554-2	BRASS	Sn 후도금 (Reflow)	22
③	025 PCB MALE TM'L-2.54 PITCH (S)	ST792555-2	BRASS	Sn 후도금 (Reflow)	22

REV.	REVISION RECORD	DATE	BY	CHK.	APP.	DATE	BY	CHK.	APP.	SCALE	PART NO.
DR.	LJY '13.10.29									1/1	MG645802
CHK.	WSW '13.10.29										025 44M PCB ASSY(HZT)

