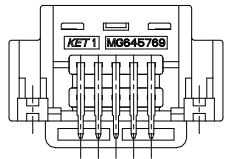
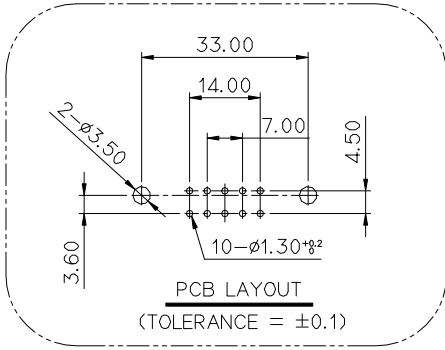
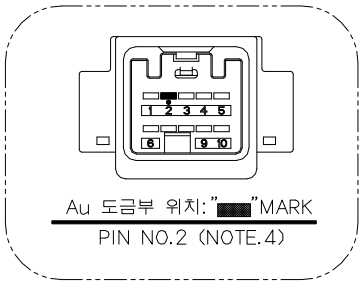
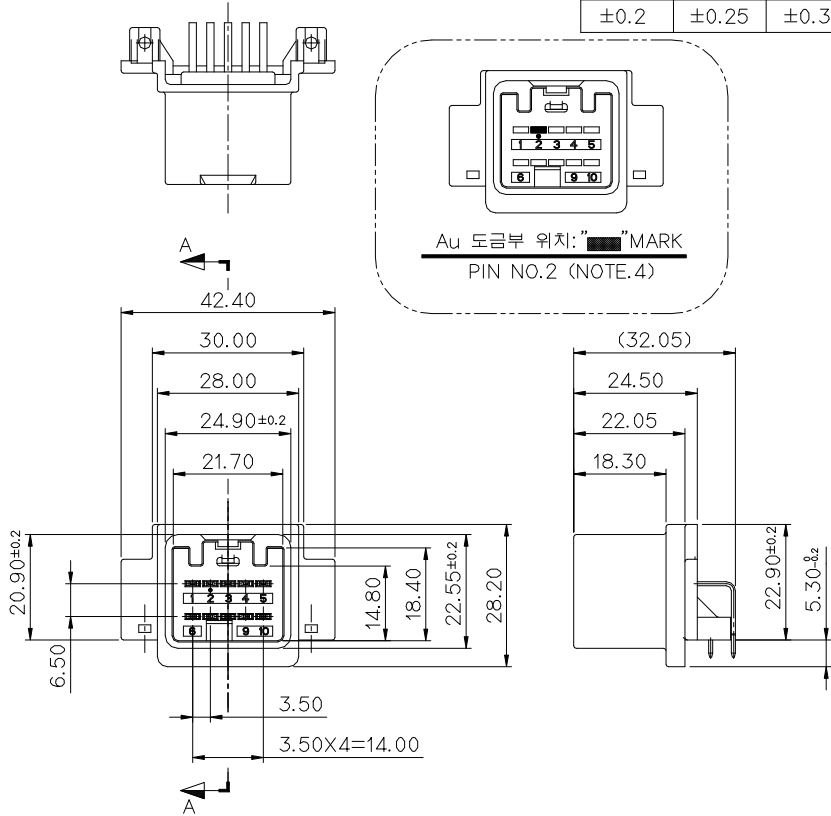
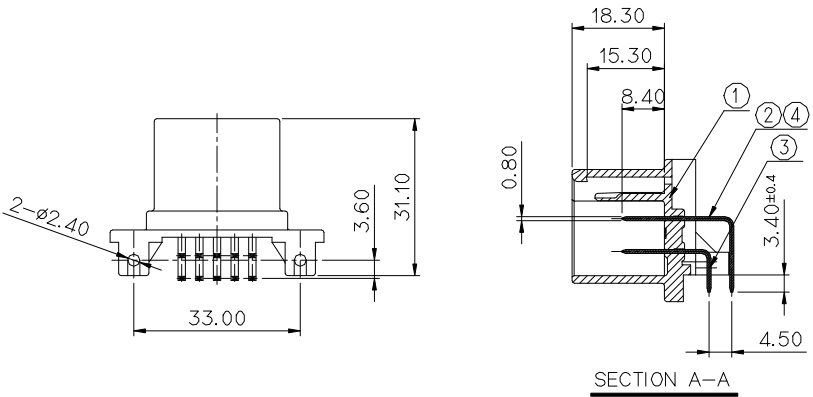


GENERAL TOLERANCE (TERMINAL)						GENERAL TOLERANCE (HOUSING)						USED ON	
10 MAX	20 MAX	45 MAX	45 VR	ANGLE	ECCENT	10MAX	50MAX	100MAX	250MAX	250VR	ANGLE	ECCENT	
±0.2	±0.25	±0.3	±0.5	±30'	0.1	±0.2	±0.3	±0.55	±0.95	±1.4	±30'	0.1	



- 주 기
1. ~_5*_5~3_1~_5 ^,|&^R']? ^\k|\$^'|]5 R^R']? 0.5~_) ^3'k|\$~\$ _!
 2. 기능상 유해한 BURR 및 변형이 없을것.
 3. 적용 FEMALE HOUSING : MG655347
 4. 금도금 위치 MARK "██"
 5. 적용 BOLT : M3 일반나사
 6. 제품내 함유된 6대 유해물질 (납,수은,카드뮴,6가크롬, PBBs,PBDEs)은 EU ELV 지침 및 RoHS 법규에서 지정한 최대 허용 농도를 초과해서는 안된다.

- NOTE
1. UNLESS OTHERWISE SPECIFIED ALL R TO BE 0.5 RADIUS.
 2. MUST BE FREE OF BURR AND IMPERFECTION THAT AFFECT FUNCTION.
 3. APPLICATION FEMALE HOUSING : MG655347
 4. APPLICATION AU PLATING SECTION, LOCATION MARK "██"
 5. APPLICABLE MOUNTING SCREW : M3 SCREW
 6. 6 HAZARDOUS SUBSTANCES IN PARTS (LEAD, MERCURY, CADMIUM, HEXAVALENT CHROMIUM, PBBs, PBDEs) SHALL NOT EXCEED THE MAXIMUM PERMISSIBLE CONCENTRATION PRESCRIBED UNDER EU ELV DIRECTIVE & RoHS REGULATION.



NO.	PART NAME	PART NO.	MATERIAL	FINISH	QTY.
①	060 10M PCB HS'G(HZT)	MG675936	PA66-GF30	BLACK	1
②	060 PCB TAB TM'L (L)	△ST792358-2F	BRASS	△SN-REFLOW	5
③	060 PCB TAB TM'L (S)	△ST792359-2F	BRASS	△SN-REFLOW	4
④	060 PCB TAB TM'L (L)	ST792358-G	BRASS	금도금	1

ISSUE MARK

MATERIAL		SEE TABLE	KET KOREA ELECTRIC ENGINEERED TERMINAL CO., LTD.
FINISH		SEE TABLE	
WIRE RANGE		CLASS	
INSULATION		TYPE	060
LTR		REVISION RECORD	PART NO. MG645769
DR.	JDR '13.03.29	CHK.	4/4
CHK.		APP.	4/4
TOLERANCE EXCEPT AS NOTED		SCALE	1/1
PART NAME		060 10M PCB ASSY (HZT)_(FPCM)	