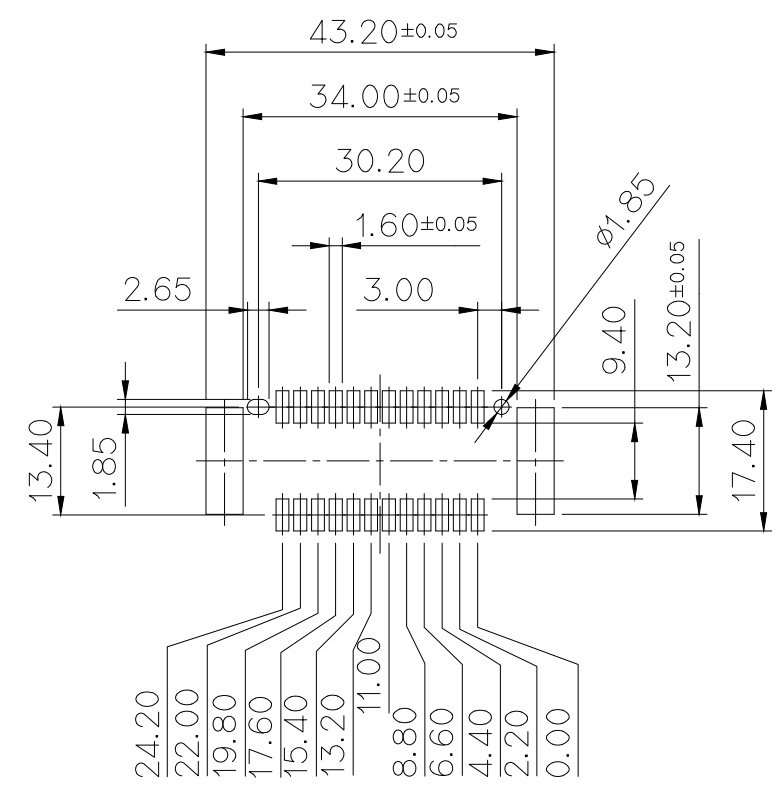
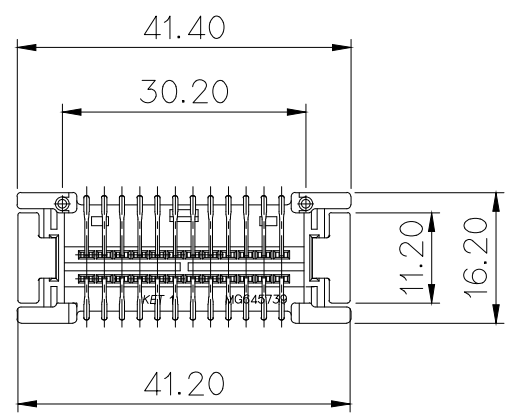
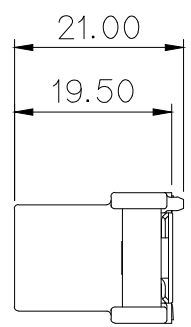
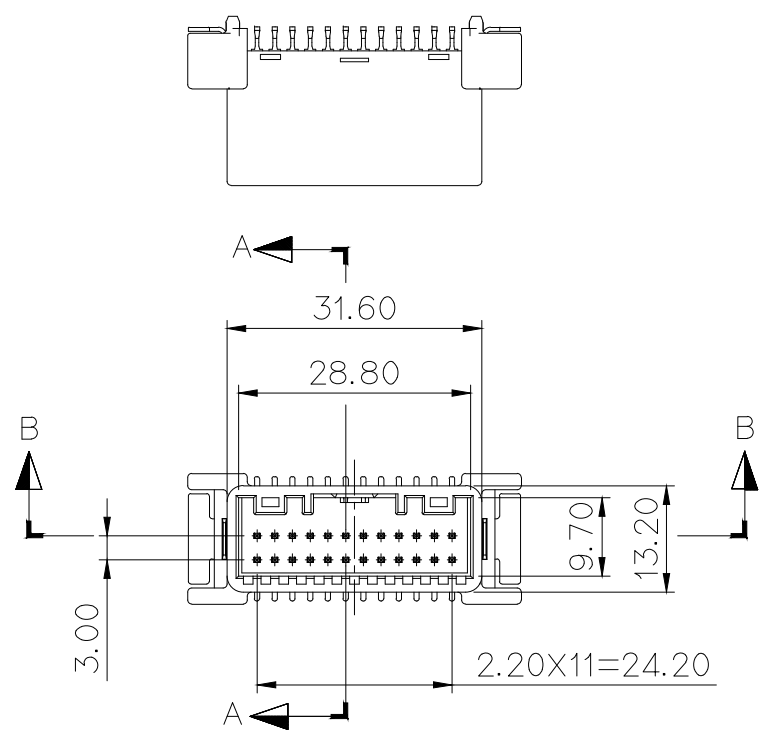


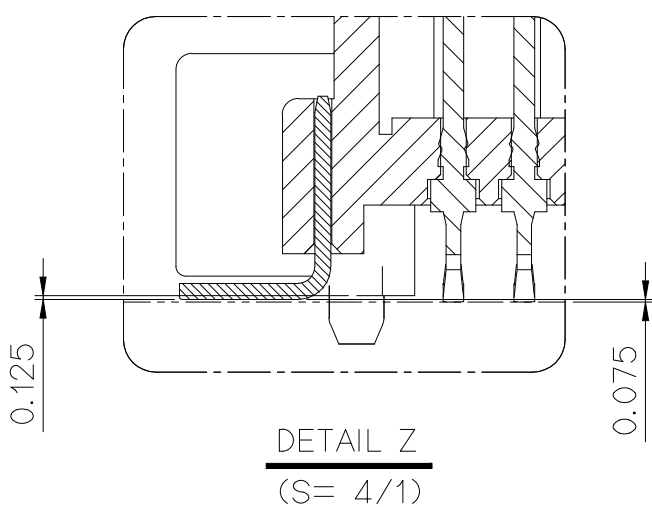
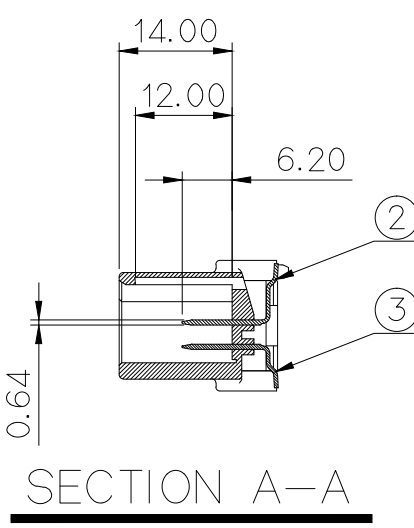
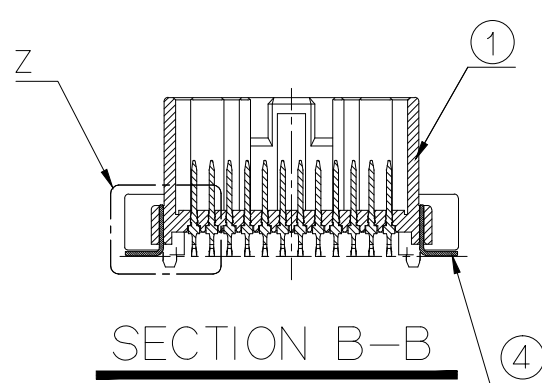
PART NO. △ SEE TABLE

CUSTOMER DRAWING

GENERAL TOLERANCE (TERMINAL)						GENERAL TOLERANCE (HOUSING)							USED ON
10 MAX	20 MAX	45 MAX	45 VR	ANGLE	ECCENT	10MAX	50MAX	100MAX	250MAX	250VR	ANGLE	ECCENT	
±0.2	±0.25	±0.3	±0.5	±30'	0.1	±0.2	±0.3	±0.55	±0.95	±1.4	±30'	0.1	



PCB LAYOUT  
(GENERAL TOLERANCE : ±0.1)



- 주 기
- 기능상 유해한 FLASH, SINK, 미성형 등이 없을 것.
  - 적용 FEMALE HS'G : MG654102
  - 제품내 함유된 6대 유해물질 (납,수은,카드뮴,6가크롬,PBBs,PBDEs)은 EU ELV 지침 및 RoHS 법규에서 지정한 최대 허용 농도를 초과해서는 안된다.
  - ②③ Pin간 평탄도는 MAX 0.1mm

- NOTE
- MUST BE FREE OF FLASH, SINK AND IMPERFECTION THAT AFFECT FUNCTION.
  - APPLICABLE FEMALE HS'G : MG654102
  - 6 HAZARDOUS SUBSTANCES IN PARTS (LEAD, MERCURY, CADMIUM, HEXAVALENT CHROMIUM, PBBs, PBDEs) SHALL NOT EXCEED THE MAXIMUM PERMISSIBLE CONCENTRATION PRESCRIBED UNDER EU ELV DIRECTIVE & RoHS REGULATION.
  - PIN FLATNESS BETWEEN OF ②③ IS MAX 0.1mm.

△ 부품 구성표

ASSY NO.	△ TM'L 도금사양		포장사양
	표면 처리	Reflow 처리	
MG645739-5			PS TRAY+종이 BOX
MG645739-5T	광택	X	TUBE+종이 BOX
MG645739-5C			TUBE+단프라 BOX
MG645739-5TF	무광택	O	TUBE+종이 BOX
MG645739-7TF			

NO.	ASSY NO.	구성품 내역					
		NO.	PART NAME	PART NO.	MATERIAL	FINISH	QTY.
1	MG645739-5	①	025 24M SMD HS'G	MG675816	PPS+GF40%	BLACK	1
	MG645739-5T	②	025 SMD MALE TM'L (L)	ST792238-2	BRASS	SN 후도금	12
	MG645739-5C	③	025 SMD MALE TM'L (S)	ST792239-2	BRASS	SN 후도금	12
		④	025 SMD BRACKET	ST792240-2	BRASS	SN 후도금	2
2	MG645739-5TF	①	025 24M SMD HS'G	MG675816	PPS+GF40%	BLACK △ BROWN	1
	MG645739-7TF	②	025 SMD MALE TM'L (L)	ST792608-2	BRASS	SN 후도금 (Reflow)	12
		③	025 SMD MALE TM'L (S)	ST792609-2	BRASS	SN 후도금 (Reflow)	12
		④	025 SMD BRACKET	ST792240-2	BRASS	SN 후도금	2

**APPROVED**  
**2016-03-07**  
KOREA ELECTRIC  
TERMINAL CO., LTD.  
Connector Development Team 3

ISSUE MARK

MATERIAL	SEE TABLE	<b>KIET</b> KOREA ELECTRIC ENGINEERED TERMINAL CO., LTD.
FINISH	SEE TABLE	
WIRE RANGE		CLASS
INSULATION		TYPE 025 SMD
TOLERANCE EXCEPT AS NOTED	SEE TABLE	SCALE 1/1
REVISION RECORD		PART NO. △ SEE TABLE
DR. YSW '13.08.06	CHK.	PART NAME 025 24M SMD ASSY
CHK.	APP. <i>[Signature]</i>	

DIMENSIONS IN MM