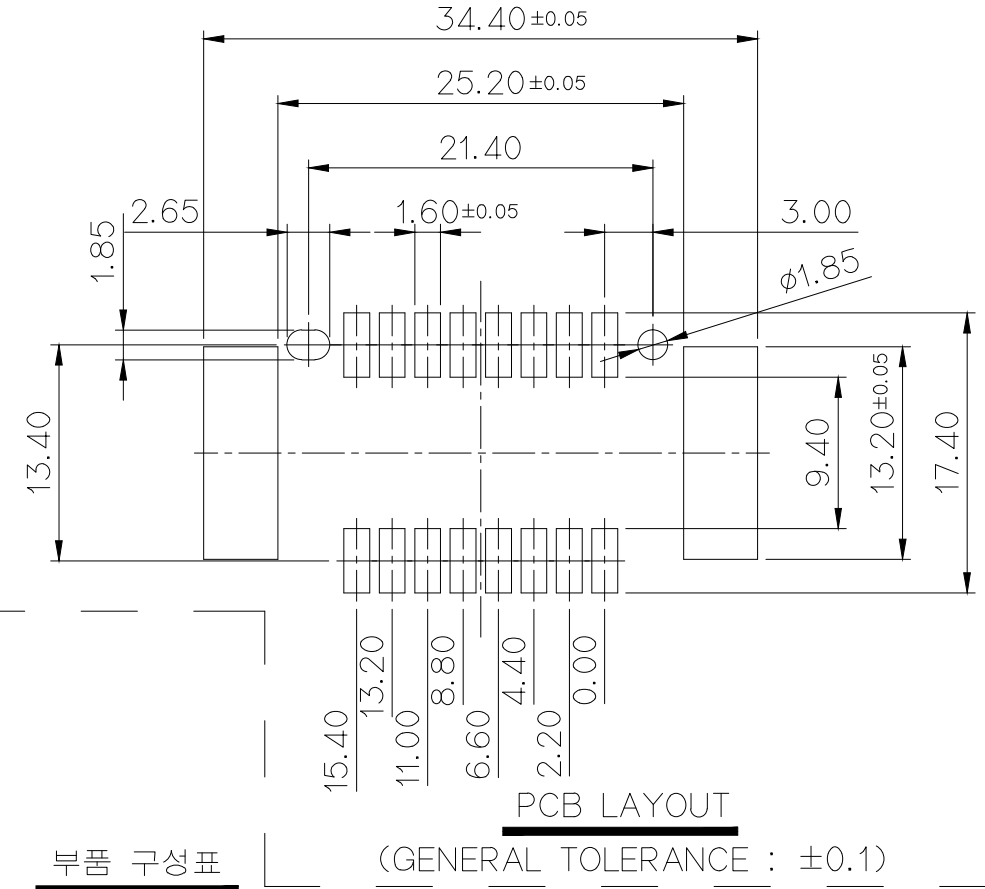
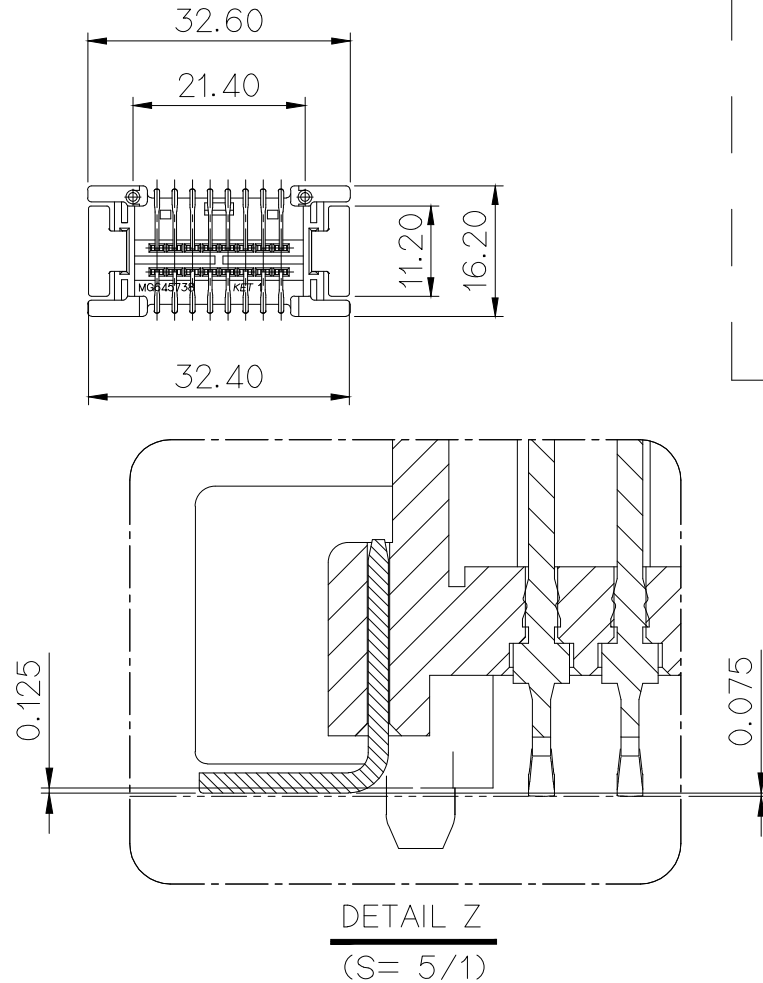
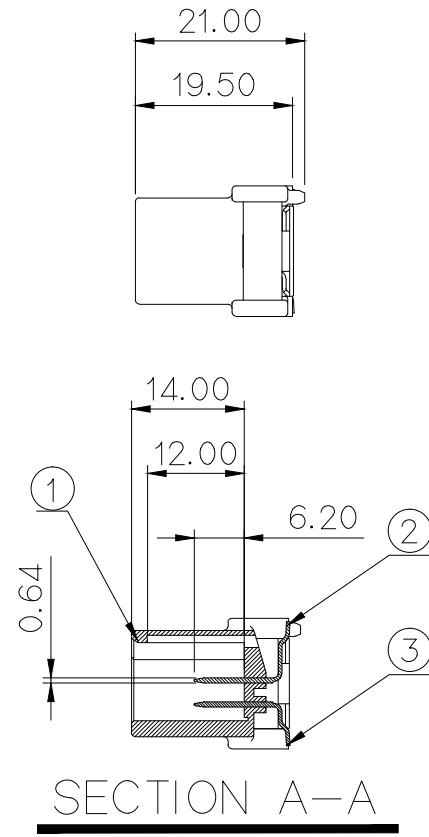
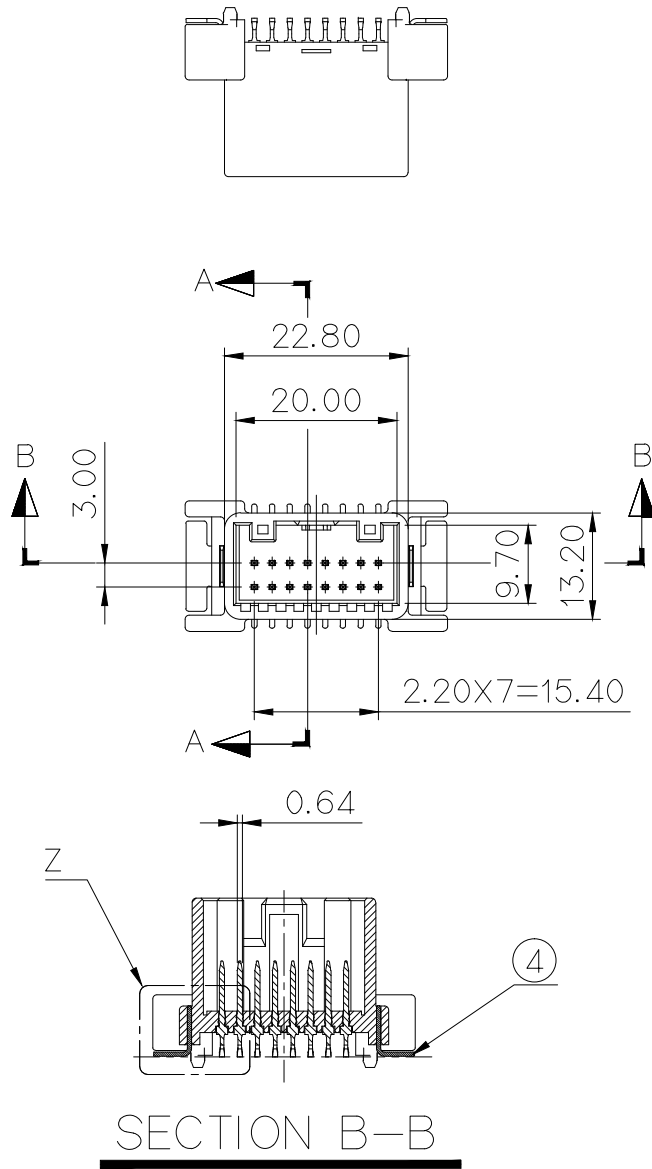


GENERAL TOLERANCE (TERMINAL)						GENERAL TOLERANCE (HOUSING)							USED ON
10 MAX	20 MAX	45 MAX	45 VR	ANGLE	ECCENT	10MAX	50MAX	100MAX	250MAX	250VR	ANGLE	ECCENT	
±0.2	±0.25	±0.3	±0.5	±30'	0.1	±0.2	±0.3	±0.55	±0.95	±1.4	±30'	0.1	



부품 구성표 (GENERAL TOLERANCE : ±0.1)

ASSY NO.	△ TM'L 도금사양		포장사양
	표면 처리	Reflow 처리	
MG645738-5	광택	X	PS TRAY+종이 BOX
MG645738-5T			TUBE+종이 BOX
△△ MG645738-5TF	무광택	O	TUBE+종이 BOX

주 기

- 기능상 유해한 FLASH, SINK, 미성형 등이 없을 것.
- 적용 FEMALE HS'G : MG655666
- 제품내 함유된 6대 유해물질 (납,수은,카드뮴,6가크롬,PBBs,PBDEs)은 EU ELV 지침 및 RoHS 법규에서 지정한 최대 허용 농도를 초과해서는 안된다.

NOTE

- MUST BE FREE OF FLASH, SINK AND IMPERFECTION THAT AFFECT FUNCTION.
- APPLICABLE FEMALE HS'G : MG655666
- 6 HAZARDOUS SUBSTANCES IN PARTS (LEAD,MERCURY, CADMIUM, HEXAVALENT CHROMIUM,PBBs,PBDEs) SHALL NOT EXCEED THE MAXIMUM PERMISSIBLE CONCENTRATION PRESCRIBED UNDER EU ELV DIRECTIVE & RoHS REGULATION.

APPROVED
2016-03-07
KOREA ELECTRIC
TERMINAL CO., LTD.
Connector Development Team 3

NO.	ASSY NO.	구성품 내역					
		NO.	PART NAME	PART NO.	MATERIAL	FINISH	QTY.
1	MG645738-5 MG645738-5T	①	025 16M SMD HS'G	MG675815	PPS+GF40%	BLACK	1
		②	025 SMD MALE TM'L (L)	ST792238-2	BRASS	SN 후도금	8
		③	025 SMD MALE TM'L (S)	ST792239-2	BRASS	SN 후도금	8
		④	025 SMD BRACKET	ST792240-2	BRASS	SN 후도금	2
△ 2	△ MG645738-5TF	①	025 16M SMD HS'G	△MG675815	PPS+GF40%	BLACK	1
		②	025 SMD MALE TM'L (L)	ST792608-2	BRASS	SN 후도금 (Reflow)	8
		③	025 SMD MALE TM'L (S)	ST792609-2	BRASS	SN 후도금 (Reflow)	8
		④	025 SMD BRACKET	ST792240-2	BRASS	SN 후도금	2

MATERIAL	SEE TABLE	KET KOREA ELECTRIC ENGINEERED TERMINAL CO., LTD.
FINISH	SEE TABLE	
WIRE RANGE		CLASS
INSULATION		TYPE 025 SMD
LTR	REVISION RECORD	PART NO. △SEE TABLE
DR.	YSW '13.08.06	SCALE 1/1
CHK.	APP.	PART NAME 025 16M SMD ASSY