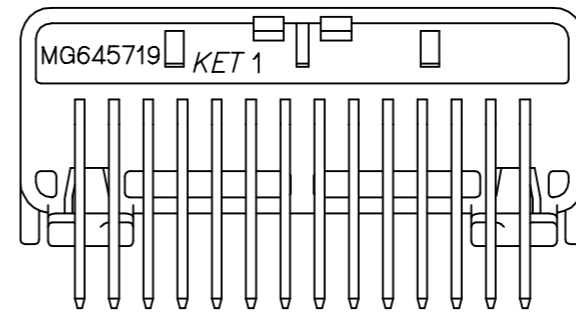
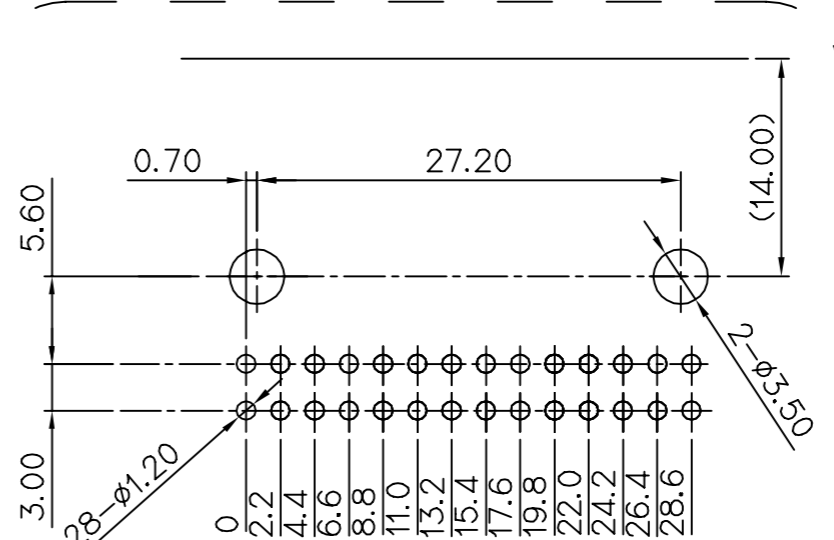
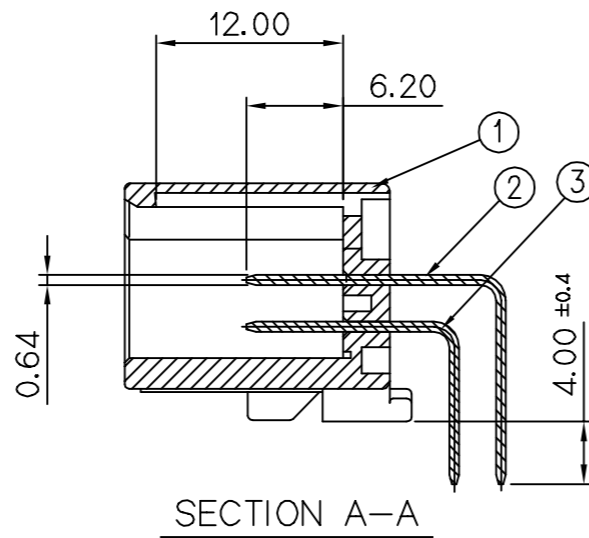
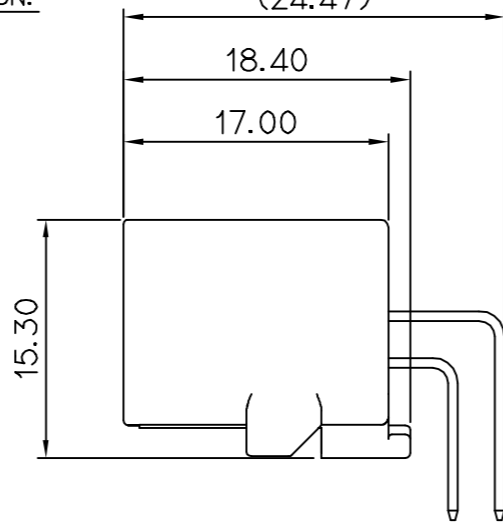
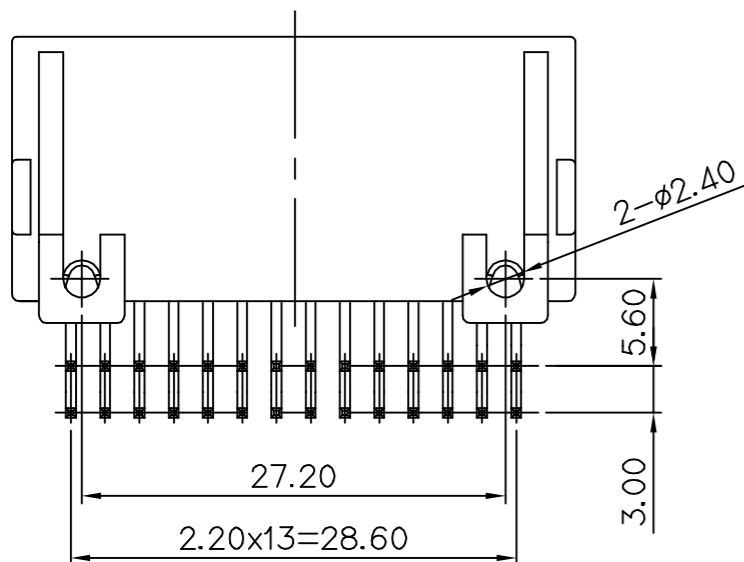
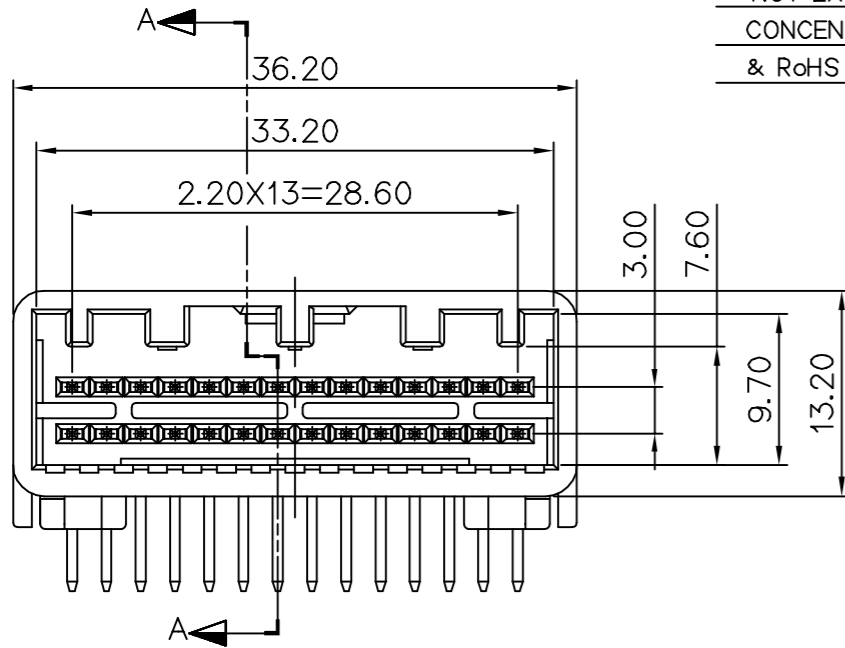
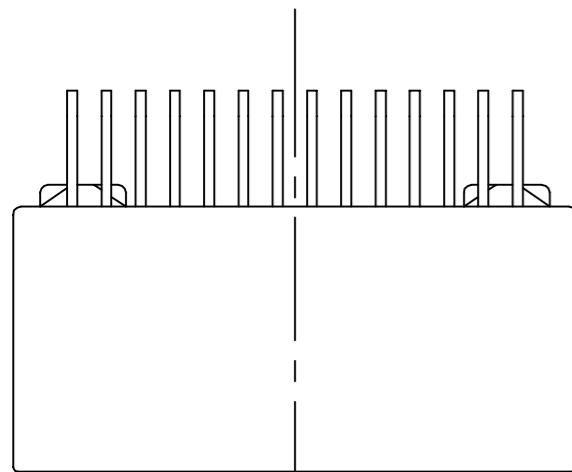


GENERAL TOLERANCE (TERMINAL)					GENERAL TOLERANCE (HOUSING)							USED ON
10MAX	20MAX	45MAX	ANGLE	ECCENT	10MAX	50MAX	100MAX	250MAX	250VR	ANGLE	ECCENT	
±0.2	±0.25	±0.3	±30'	0.1	±0.2	±0.3	±0.55	±0.95	±1.4	±30'	0.1	

NOTE

1. UNLESS OTHERWISE SPECIFIED ALL R TO BE 0.5 RADIUS.
2. MUST BE FREE OF BURR AND IMPERFECTION THAT AFFECT FUNCTION.
- △ 3. APPLICATION FEMALE HOUSING : MG654090
- △ 4. APPLICATION CONNECTOR : MG655762
5. APPLICABLE MOUNTING SCREW : M3 SCREW
- △ 6. ST791224-2S, ST791225-2S TIN-PLATED TERMINAL TYPE A Sn(MATTE), (MS915-01) Ni-PLATED UNDER + Sn(MATTE) + Reflow
7. 6 HAZARDOUS SUBSTANCES IN PARTS (LEAD, MERCURY, CADMIUM, HEXAVALENT CHROMIUM, PBBs, PBDEs) SHALL NOT EXCEED THE MAXIMUM PERMISSIBLE CONCENTRATION PRESCRIBED UNDER EU ELV DIRECTIVE & RoHS REGULATION.



NO.	MATERIAL	COLOR
0	PBT-GF30	NATURAL
1		RED
2		BLUE
20		JADE
3		YELLOW
4		GRAY
40		DARK GRAY
41		LIGHT GRAY
5		BLACK
6		DARK GREEN
7		BROWN
8		LIGHT GREEN
9		MAGENTA
11		ORANGE

주 기

1. 지시하지 않은 반경 R은 0.5로 한다
2. 기능상 유해한 BURR 및 변형이 없을것.
- △ 3. 적용 FEMALE HOUSING : MG654090
- △ 4. 적용 CONNECTOR : MG655762
5. 적용 BOLT : M3 일반나사
- △ 6. ST791224-2S, ST791225-2S 단자 주석 도금 TYPE A Sn(무광택), (MS915-01) Ni 하지 도금 + Sn(무광) + Reflow
7. 제품내 함유된 6대 유해물질 (납,수은,카드뮴,6가크롬, PBBs,PBDEs)은 EU ELV 지침 및 RoHS 법규에서 지정한 최대 허용 농도를 초과해서는 안된다.

NO.	ASSY NO.	구성품 내역					
		NO.	PART NAME	PART NO.	MATERIAL	FINISH	QTY.
1	MG645719	①	025 28M PCB HS'G (HZT)	MG675762	SEE TABLE	SEE TABLE	1
		②	025 PCB MALE TM'L (L)	ST791224-3	BRASS	PRE-TIN	14
		③	025 PCB MALE TM'L (S)	ST791225-3	BRASS	PRE-TIN	14
2	MG645719-F	①	025 28M PCB HS'G (HZT)	MG675762	SEE TABLE	SEE TABLE	1
		②	025 PCB MALE TM'L (L)	ST791224-2S	BRASS	Sn 후도금-무광 (Reflow)	14
		③	025 PCB MALE TM'L (S)	ST791225-2S	BRASS	Sn 후도금-무광 (Reflow)	14

APPROVED

2021-10-25

KOREA ELECTRIC  
TERMINAL CO., LTD.  
Korea Electric Te  
rminal Co., LTD.

ISSUE MARK

ECO-2101-030	거기 도면 재 작성	LWJ	NKT	SSH	'21.01.05	MATERIAL	SEE TABLE		
ECO-1812-279	거기 도면 재 작성	LND	KSC	CJH	'18.12.19	FINISH	SEE TABLE		
ECO-1501-055	거기 도면 재 작성	JY.K	WSW	BIN	'15.01.09	WIRE RANGE		CLASS	
LTR	REVISION RECORD	DR.	CHK.	APP.	DATE	INSULATION		TYPE	025
DR.	YSW '13.10.28	CHK.	WSW '13.10.28			TOLERANCE EXCEPT AS NOTED	SEE TABLE	SCALE	2/1
CHK.		APP.	CWK '13.10.28			PART NAME	025 28M PCB ASSY(HZT)		