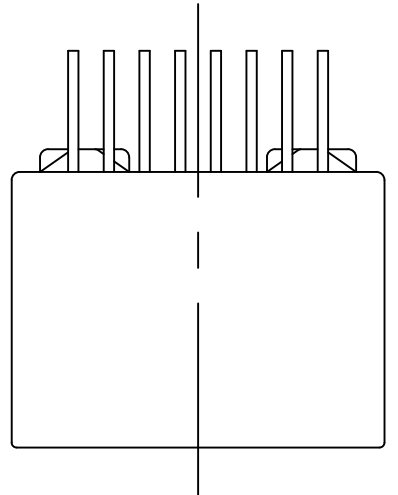
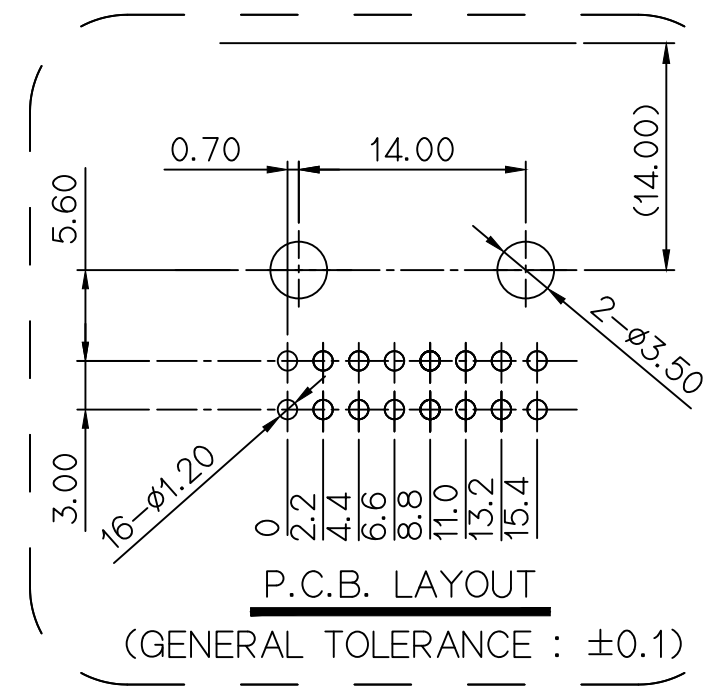


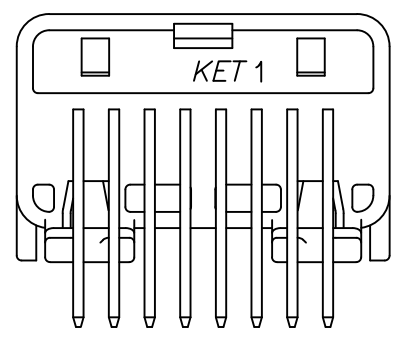
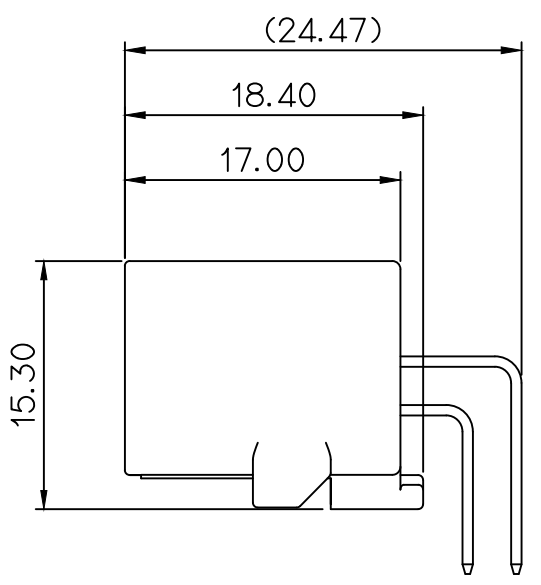
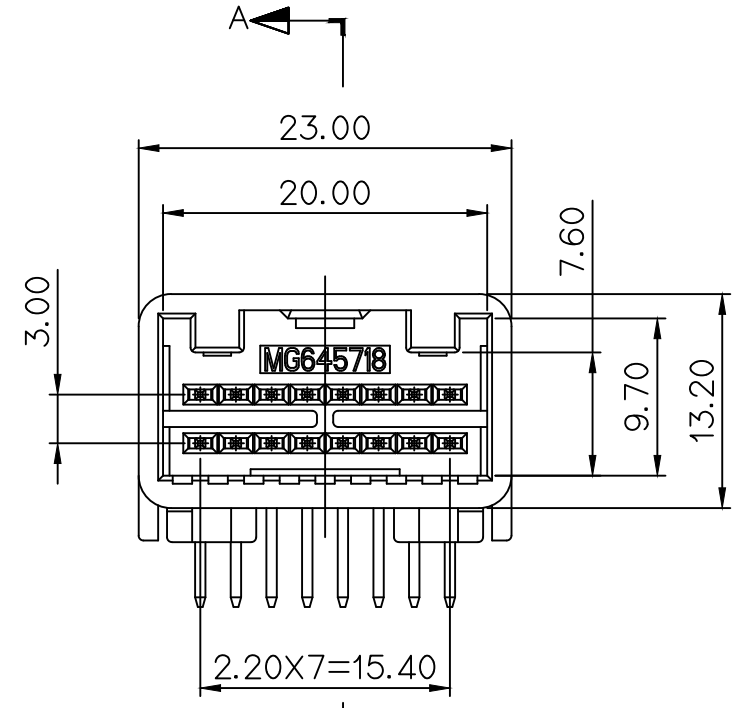
GENERAL TOLERANCE (TERMINAL)					GENERAL TOLERANCE (HOUSING)							USED ON
10MAX	20MAX	45MAX	ANGLE	ECCENT	10MAX	50MAX	100MAX	250MAX	250VR	ANGLE	ECCENT	
±0.2	±0.25	±0.3	±30'	0.1	±0.2	±0.3	±0.55	±0.95	±1.4	±30'	0.1	



NO.	ASSY NO.	구성품 내역					
		NO.	PART NAME	PART NO.	MATERIAL	FINISH	QTY.
1	MG645718	①	025 16M PCB HS'G (HZT)	MG675761	SEE TABLE	SEE TABLE	1
		②	025 PCB MALE TM'L (L)	ST791224-3	BRASS	PRE-TIN	8
		③	025 PCB MALE TM'L (S)	ST791225-3	BRASS	PRE-TIN	8
2	MG645718-F	①	025 16M PCB HS'G (HZT)	MG675761	SEE TABLE	SEE TABLE	1
		②	025 PCB MALE TM'L (L)	ST791224-2S	BRASS	Sn 후도금-무광 (Reflow)	8
		③	025 PCB MALE TM'L (S)	ST791225-2S	BRASS	Sn 후도금-무광 (Reflow)	8

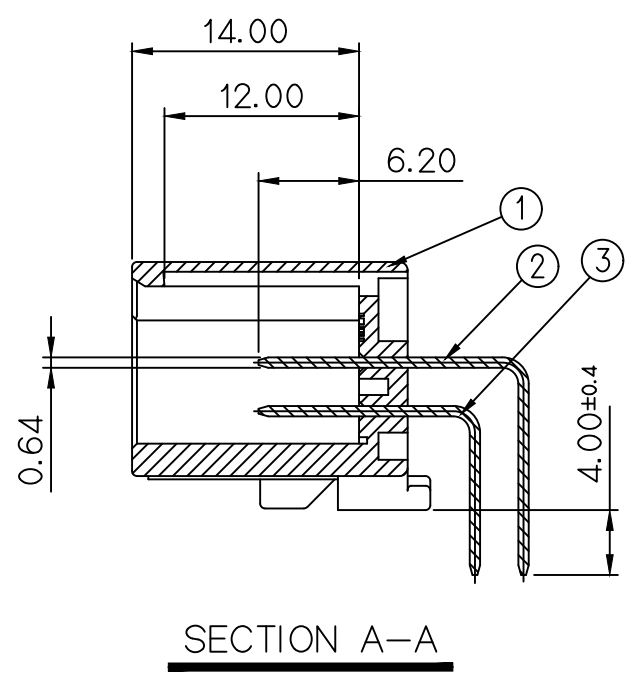
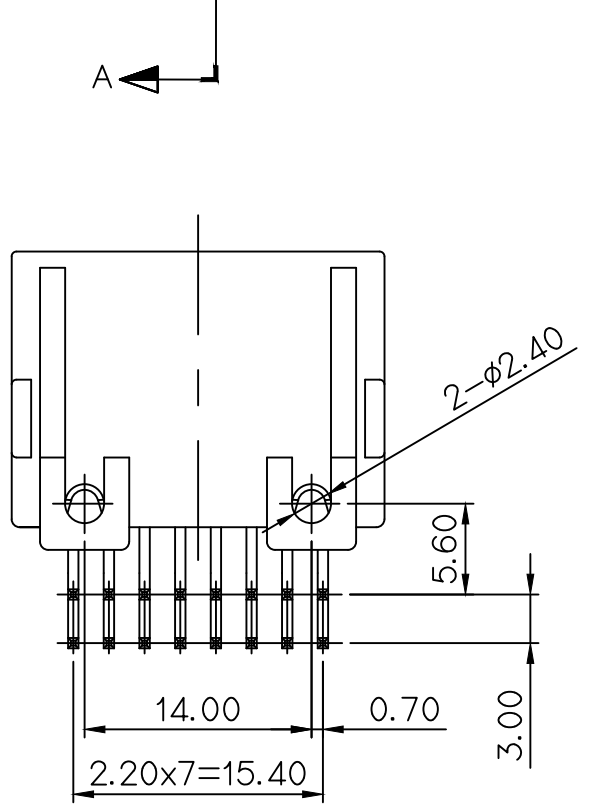


NO.	MATERIAL	COLOR
0	PBT-GF30	NATURAL
1		RED
2		BLUE
20		JADE
21		SKY BLUE
3		YELLOW
4		GRAY
40		DARK GRAY
41		LIGHT GRAY
5		BLACK
6		DARK GREEN
7	BROWN	
8	LIGHT GREEN	
9	MAGENTA	
11	ORANGE	



- NOTE**
- UNLESS OTHERWISE SPECIFIED ALL R TO BE 0.5 RADIUS.
 - MUST BE FREE OF BURR AND IMPERFECTION THAT AFFECT FUNCTION.
 - APPLICATION FEMALE HOUSING : MG655666, MG656934△
 - APPLICABLE MOUNTING SCREW : M3 SCREW
 - ST791224-2S, ST791225-2S TIN-PLATED TERMINAL TYPE A Sn(MATTE), (MS915-01) Ni-PLATED UNDER + Sn(MATTE) + Reflow
 - 6 HAZARDOUS SUBSTANCES IN PARTS (LEAD, MERCURY, CADMIUM, HEXAVALENT CHROMIUM, PBBs, PBDEs) SHALL NOT EXCEED THE MAXIMUM PERMISSIBLE CONCENTRATION PRESCRIBED UNDER EU ELV DIRECTIVE & RoHS REGULATION.

- 주 기**
- 지시하지 않은 반경 R은 0.5로 한다
 - 기능상 유해한 BURR 및 변형이 없을것.
 - 적용 FEMALE HOUSING : MG655666, MG656934△
 - 적용 BOLT : M3 일반나사
 - ST791224-2S, ST791225-2S 단자 주석 도금 TYPE A Sn(무광택), (MS915-01) Ni 하지 도금 + Sn(무광) + Reflow
 - 제품내 함유된 6대 유해물질 (납, 수은, 카드뮴, 6가크롬, PBBs, PBDEs)은 EU ELV 지침 및 RoHS 법규에서 지정한 최대 허용 농도를 초과해서는 안된다.



APPROVED
 2021-10-18
 KOREA ELECTRIC TERMINAL CO., LTD.
 Korea Electric Terminal Co., LTD.

ISSUE MARK

		MATERIAL		SEE TABLE		KOREA ELECTRIC TERMINAL CO., LTD.	
		FINISH		SEE TABLE			
		WIRE RANGE			CLASS		
		INSULATION			TYPE 025		
LTR	REVISION RECORD	DR.	CHK.	APP.	DATE	TOLERANCE EXCEPT AS NOTED	
DR.	YSW '13.10.28	CHK.	WSW '13.10.28			SCALE 2/1	
CHK.		APP.	CWK '13.10.28	PART NAME		PART NO. MG645718 △MG645718-F	
						025 16M PCB ASSY(HZT)	