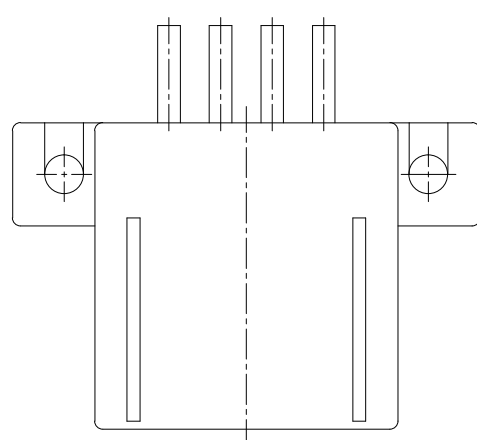
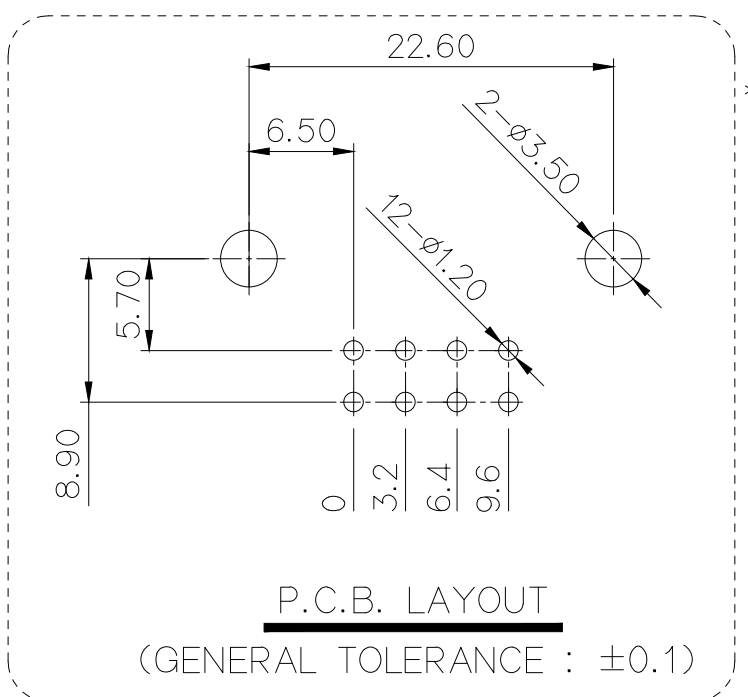


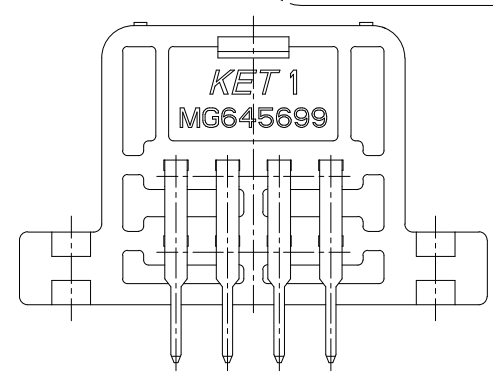
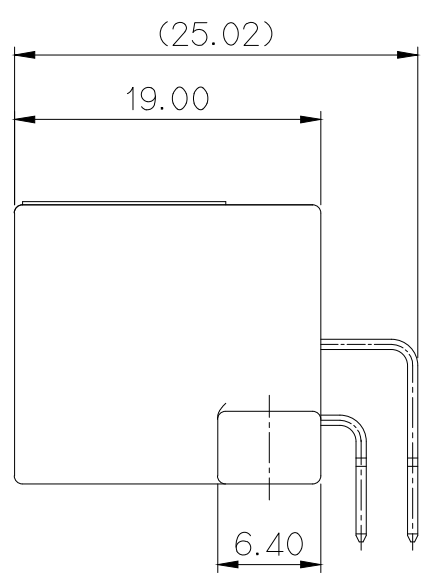
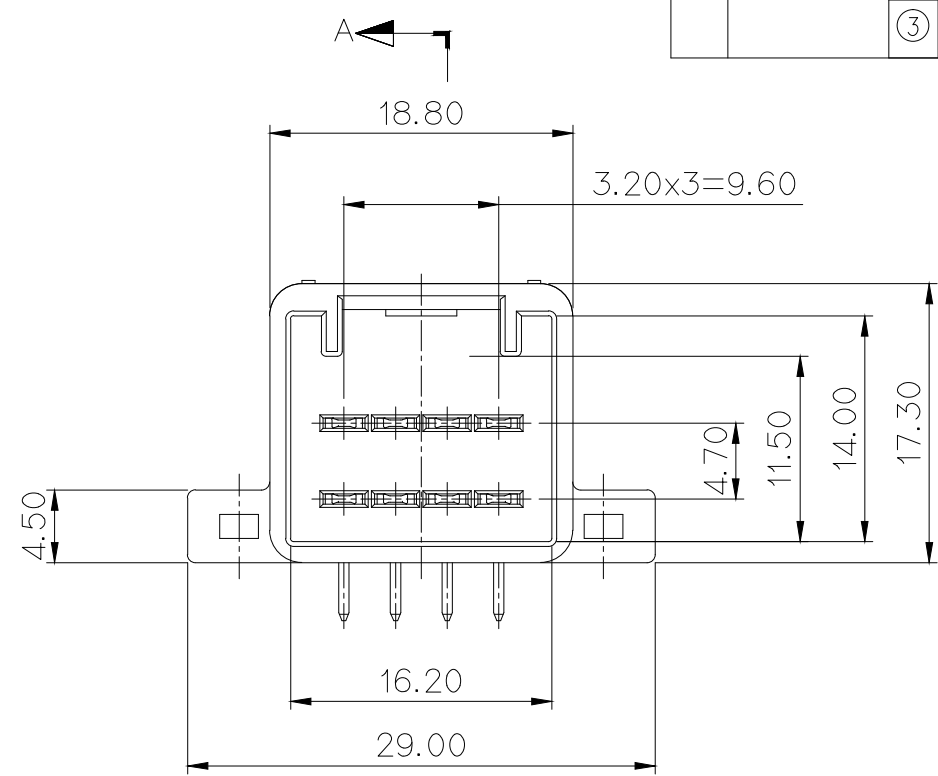
GENERAL TOLERANCE (TERMINAL)					GENERAL TOLERANCE (HOUSING)							USED ON
10MAX	20MAX	45MAX	ANGLE	ECCENT	10MAX	50MAX	100MAX	250MAX	250VR	ANGLE	ECCENT	
±0.2	±0.25	±0.3	±30'	0.1	±0.2	±0.3	±0.55	±0.95	±1.4	±30'	0.1	



NO.	ASSY NO.	구성품 내역					
		NO.	PART NAME	PART NO.	MATERIAL	FINISH	QTY.
1	MG645699	①	060 8M PCB HS'G (HZT)	MG675733	SEE TABLE	SEE TABLE	1
		②	060 PCB MALE TM'L (L)	ST792484-3	BRASS	PRE-TIN	4
		③	060 PCB MALE TM'L (S)	ST792485-3	BRASS	PRE-TIN	4
2	MG645699-F	①	060 8M PCB HS'G (HZT)	MG675733	SEE TABLE	SEE TABLE	1
		②	060 PCB MALE TM'L (L)	ST793275-2	BRASS	Sn 후도금-무광 (Reflow)	4
		③	060 PCB MALE TM'L (S)	ST793276-2	BRASS	Sn 후도금-무광 (Reflow)	4

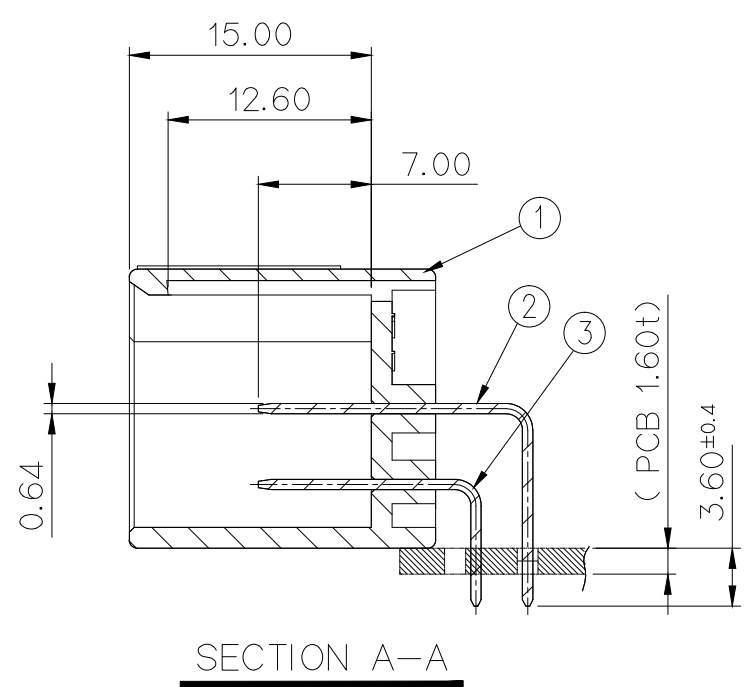
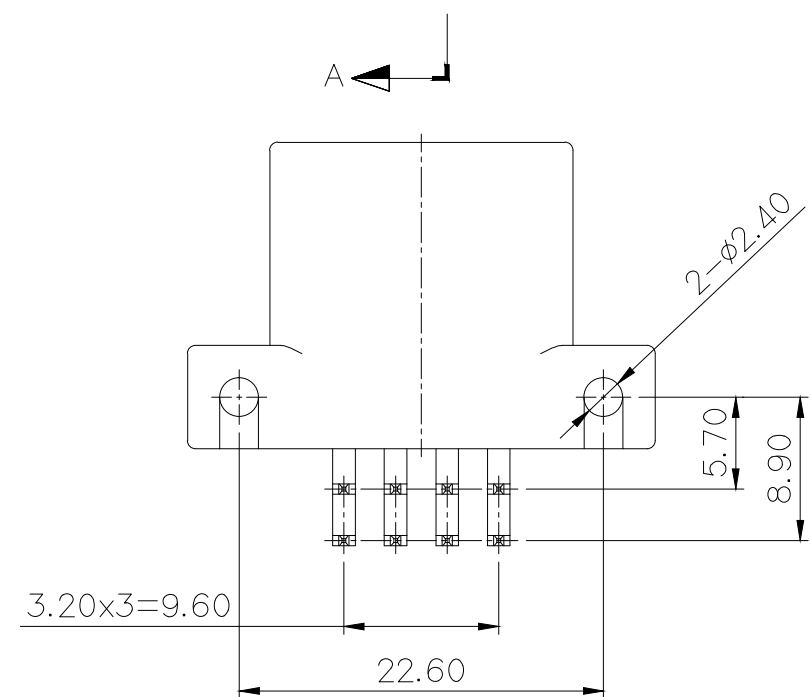


NO.	MATERIAL	COLOR
0	PBT+GF30%	NATURAL
1		RED
2		BLUE
20		JADE
3		YELLOW
4		GRAY
40		DARK GRAY
41		LIGHT GRAY
5		BLACK
6		DARK GREEN
7		BROWN
8		LIGHT GREEN
9		MAGENTA
11		ORANGE



- 주 기**
- 지시하지 않은 반경 R은 0.5로 한다
 - 기능상 유해한 BURR 및 변형이 없을것.
 - 적용 FEMALE HOUSING : MG655603
 - 적용 BOLT : M3 일반나사
 - ST793275-2, ST793276-2 단차 주석 도금 TYPE A Sn(무광택), (MS915-01) Ni 하지 도금 + Sn(무광) + Reflow
 - 제품내 함유된 6대 유해물질 (납,수은,카드뮴,6가크롬, PBBs,PBDEs)은 EU ELV 지침 및 RoHS 법규에서 지정한 최대 허용 농도를 초과해서는 안된다.

- NOTE**
- UNLESS OTHERWISE SPECIFIED ALL R TO BE 0.5 RADIUS.
 - MUST BE FREE OF BURR AND IMPERFECTION THAT AFFECT FUNCTION.
 - APPLICATION FEMALE HOUSING : MG655603
 - APPLICABLE MOUNTING SCREW : M3 SCREW
 - ST793275-2, ST793276-2 TIN-PLATED TERMINAL TYPE A Sn(MATTE), (MS915-01) Ni-PLATED UNDER + Sn(MATTE) + Reflow
 - 6 HAZARDOUS SUBSTANCES IN PARTS (LEAD, MERCURY, CADMIUM, HEXAVALENT CHROMIUM, PBBs, PBDEs) SHALL NOT EXCEED THE MAXIMUM PERMISSIBLE CONCENTRATION PRESCRIBED UNDER EU ELV DIRECTIVE & RoHS REGULATION.



APPROVED
2016-03-11
KOREA ELECTRIC
TERMINAL CO., LTD.
Connector Development Team 3

ISSUE MARK

MATERIAL	SEE TABLE	KET KOREA ELECTRIC ENGINEERED TERMINAL CO., LTD.
FINISH	SEE TABLE	
WIRE RANGE	— / —	CLASS 060
INSULATION	— / —	TYPE — / —
LTR	ECO-1501-006 근거 도면 재 작성	JY.K WSW BIN 15.01.05
DR.	CJH '12.06.11	CHK.
CHK.		APP. HSH '12.06.11
TOLERANCE EXCEPT AS NOTED	SEE TABLE	SCALE 2/1
PART NAME	060 8M PCB ASSY (HZT)	
PART NO.	MG645699 △MG645699-F	