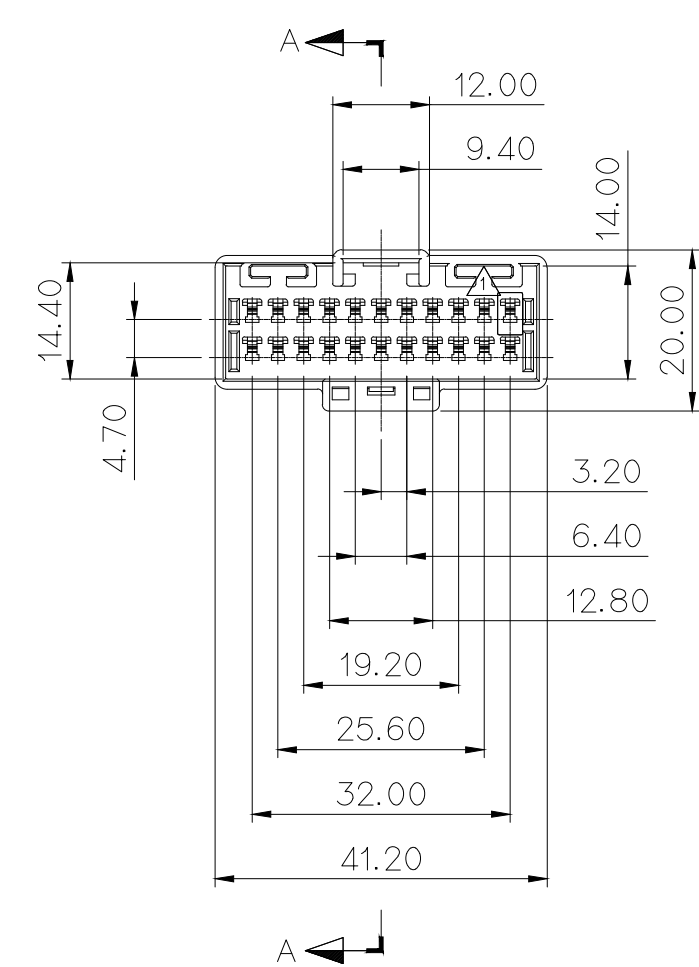
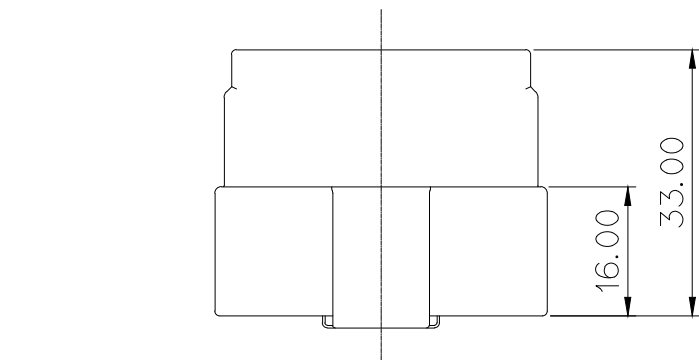


ISO VIEW
(S= 2/1)

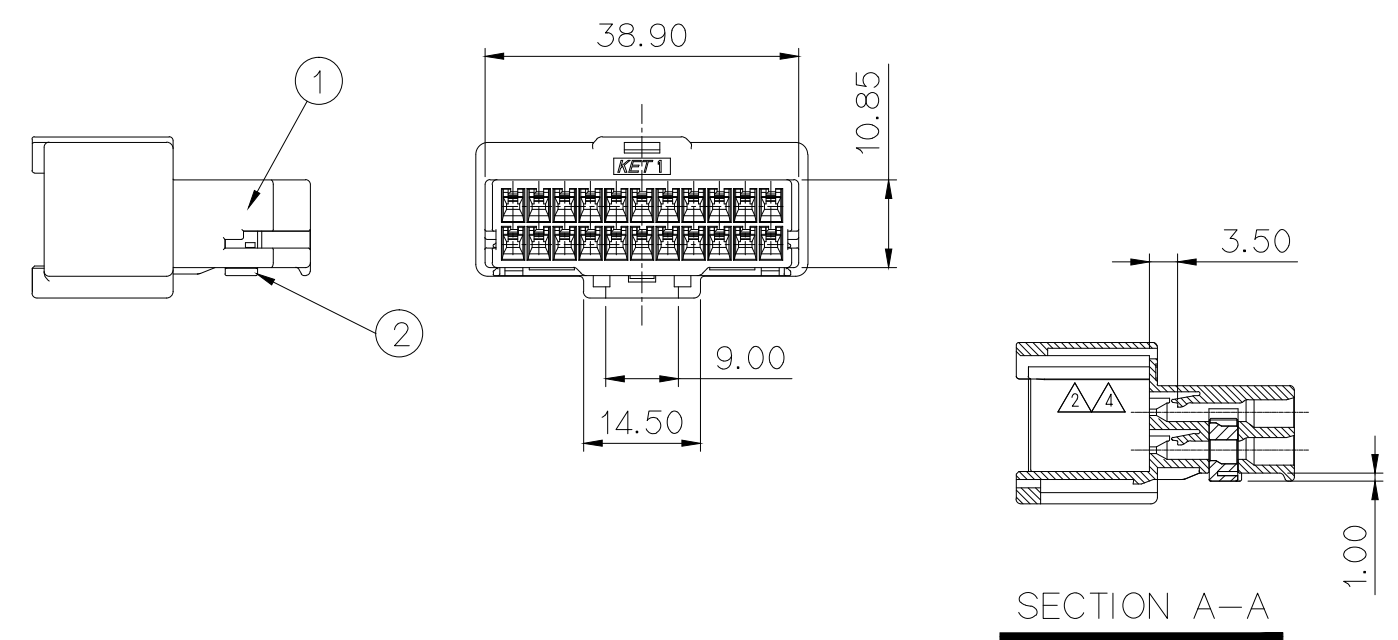


NO.	MATERIAL	COLOR
* 0	P B T	NATURAL
1		RED
2		BLUE
20		JADE
3		YELLOW
4		GRAY
40		DARK GRAY
41		LIGHT GRAY
* 5		BLACK
* 6		DARK GREEN
7		BROWN
8	LIGHT GREEN	
9	MAGENTA	
11	ORANGE	

△ GENERAL TOLERANCE (HOUSING)									USED ON
10MAX	30MAX	50MAX	70MAX	100MAX	120MAX	250MAX	250VR	ANGLE	
±0.15	±0.20	±0.30	±0.40	±0.50	±0.75	±0.90	±1.40	±30'	

NOTE

- MUST BE FREE OF FLASH, WELDLINE AND IMPERFECTION THAT AFFECT FUNCTION.
- APPLICABLE TERMINAL : ST741331-3, ST741332-3, ST741333-3
APPLICABLE CONNECTOR : MG655638
- 6 HAZARDOUS SUBSTANCES IN PARTS (LEAD, MERCURY, CADMIUM, HEXAVALENT CHROMIUM, PBBs, PBDEs) SHALL NOT EXCEED THE MAXIMUM PERMISSIBLE CONCENTRATION PRESCRIBED UNDER EU ELV DIRECTIVE & RoHS REGULATION.



주 기

- 기능상 유해한 BURR 및 WELDLINE 등이 없을 것.
- 적용 TERMINAL : ST741331-3, ST741332-3, ST741333-3
적용 CONNECTOR : MG65638
- 제품내 함유된 6대 유해물질 (납, 수은, 카드뮴, 6가크롬, PBBs, PBDEs)은 EU ELV 지침 및 RoHS 법규에서 지정한 최대 허용 농도를 초과해서는 안된다.

APPROVED

2018-12-07

**KOREA ELECTRIC
TERMINAL CO., LTD.**
Korea Electric Terminal Co., LTD.

NO.	PART NAME	PART NO.	MATERIAL	COLOR	QTY.
①	N060 22M HOUSING	MG675636 MG675636-5 △ MG675636-6	PBT	NATURAL BLACK △ GREEN	1
②	N060 22P SPACER	MG675637	PBT	L/GRAY	1

△ 4	ECO-1505-344 근거 도면 재작성 (단차 상하 유동 개선)	YTK	KMH	LSY	2015.05.28	MATERIAL	SEE TABLE	KET KOREA ELECTRIC ENGINEERED TERMINAL CO., LTD.
△ 3	ECO-1503-640 근거 도면 재작성 (BLACK 색상 추가)	YTK	KMH	LSY	2015.04.15	FINISH	SEE TABLE	
△ 2	ECO-1407-130 근거 도면 재작성 (단차 전후 유동 개선)	KJH	HYJ	LSY	2014.07.16	WIRE RANGE	CLASS	060
△ 1	ECO-1311-184 근거 도면 재작성 (단차/하우징 유동 개선)	SYC	CSH	CWK	2013.11.25	INSULATION	TYPE	
△ 0	검사성적서 합격에 따른 도면 재작성	WHS	KMH	CWK	13.08.20			
LTR	REVISION RECORD	DR.	CHK.	APP.	DATE	TOLERANCE EXCEPT AS NOTED	SCALE	PART NO.
	LHS. 2012.01.27		CHK. KMH. 2012.01.25			SEE TABLE	1/1	MG645635
	CHK. CSH. 2012.01.25		APP. HSH. 2012.01.25			PART NAME	N060 22M ASSY	