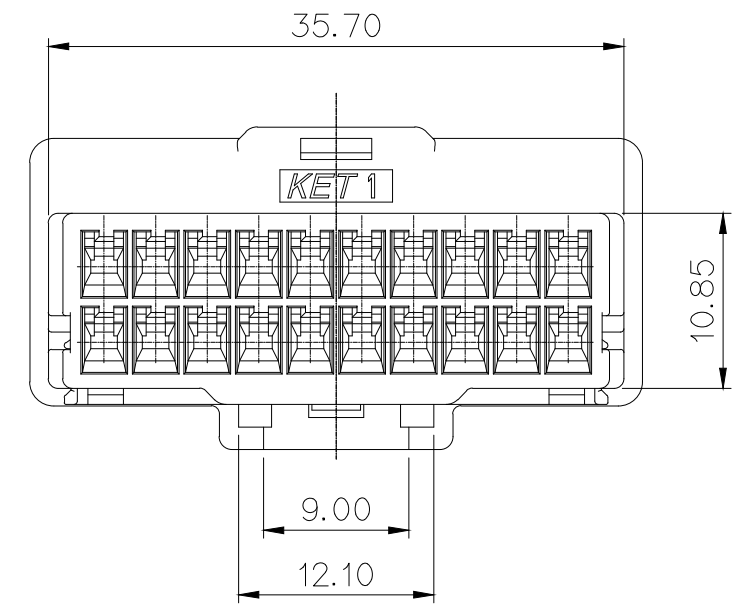
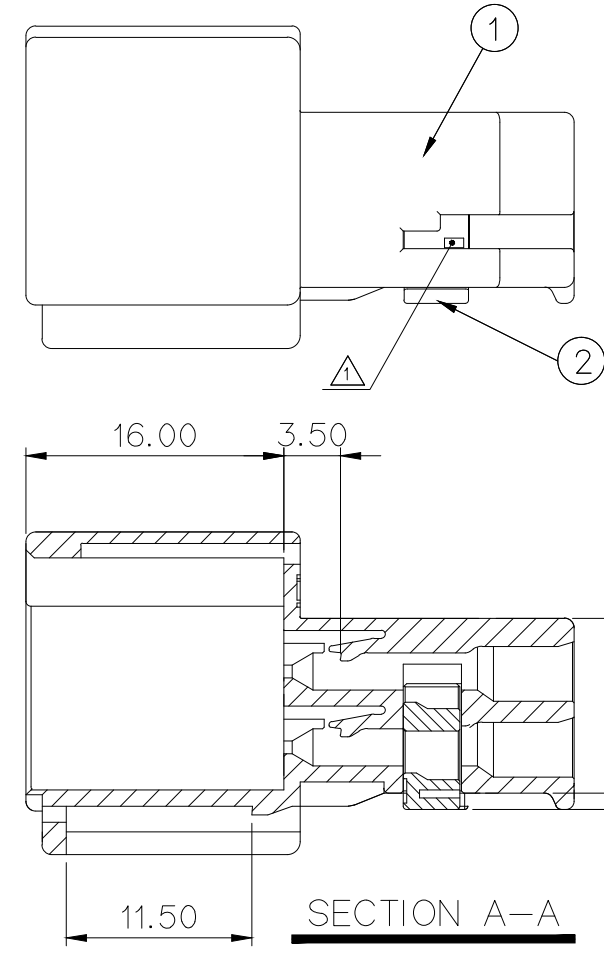
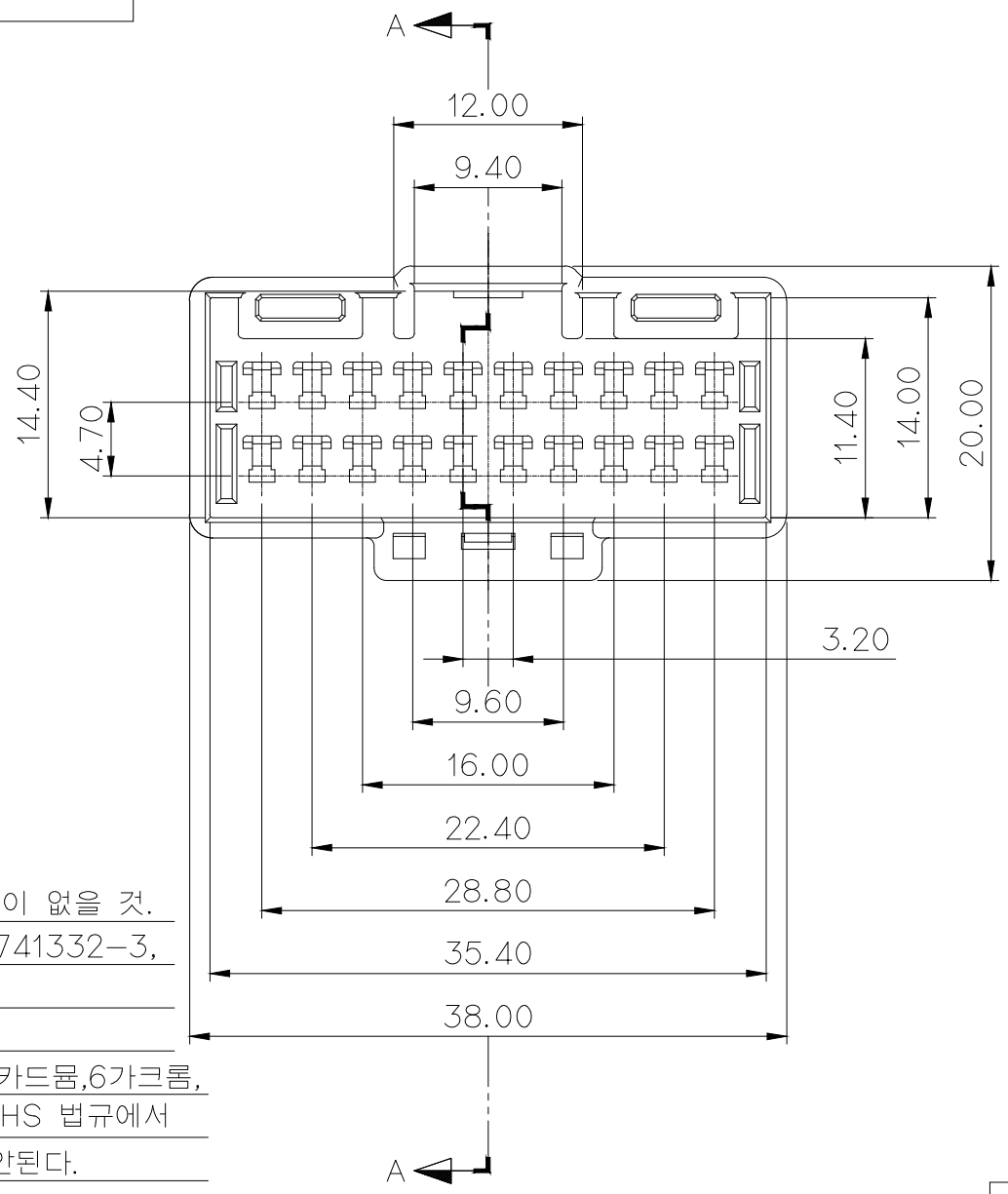


GENERAL TOLERANCE (HOUSING)							USED ON
10MAX	50MAX	100MAX	250MAX	250VR	ANGLE	ECCENT	
±0.2	±0.3	±0.55	±0.95	±1.4	±30'	0.1	

NOTE

- MUST BE FREE OF FLASH, WELDLINE AND IMPERFECTION THAT AFFECT FUNCTION.
- APPLICABLE TERMINAL : ST741331-3, ST741332-3, ST741333-3
APPLICABLE CONNECTOR : MG655633
- 6 HAZARDOUS SUBSTANCES IN PARTS (LEAD, MERCURY, CADMIUM, HEXAVALENT CHROMIUM, PBBs, PBDEs) SHALL NOT EXCEED THE MAXIMUM PERMISSIBLE CONCENTRATION PRESCRIBED UNDER EU ELV DIRECTIVE & RoHS REGULATION.

NO.	MATERIAL	COLOR
0	P B T	NATURAL
1		RED
2		BLUE
20		JADE
3		YELLOW
4		GRAY
40		DARK GRAY
41		LIGHT GRAY
5		BLACK
6		DARK GREEN
7		BROWN
8		LIGHT GREEN
9	MAGENTA	
11	ORANGE	



주 기

- 기능상 유해한 BURR 및 WELDLINE 등이 없을 것.
- 적용 TERMINAL : ST741331-3, ST741332-3, ST741333-3
적용 CONNECTOR : MG655633
- 제품내 함유된 6대 유해물질 (납,수은,카드뮴,6가크롬, PBBs,PBDEs)은 EU ELV 지침 및 RoHS 법규에서 지정한 최대 허용 농도를 초과해서는 안된다.

APPROVED
2019-11-06
KOREA ELECTRIC
TERMINAL CO., LTD.
Korea Electric Terminal Co., LTD.

ISSUE MARK

NO.	PART NAME	PART NO.	MATERIAL	COLOR	QTY.
1	N060 20M HOUSING	MG675631	△SEE TABLE	△SEE TABLE	1
2	N060 20P SPACER	MG675632	PBT	L/GRAY	1

MATERIAL	SEE TABLE	KET KOREA ELECTRIC ENGINEERED TERMINAL CO., LTD.
FINISH	SEE TABLE	
WIRE RANGE	— / —	CLASS 060
INSULATION	— / —	TYPE — / —
TOLERANCE EXCEPT AS NOTED	SEE TABLE	SCALE 2/1
DR. AJH. 2012.01.27	CHK. KMH. 2012.01.27	PART NO. MG645630
CHK. CSH. 2012.01.27	APP. HSH. 2012.01.27	PART NAME N060 20M ASSY