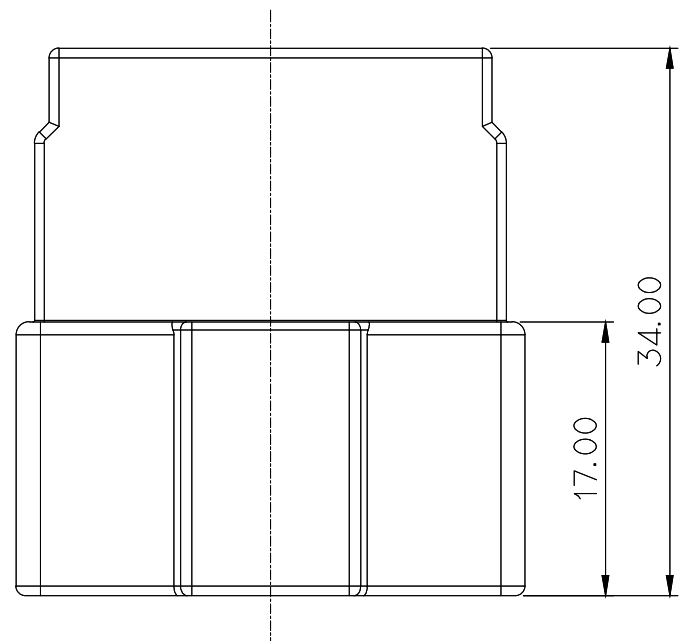


ISO VIEW

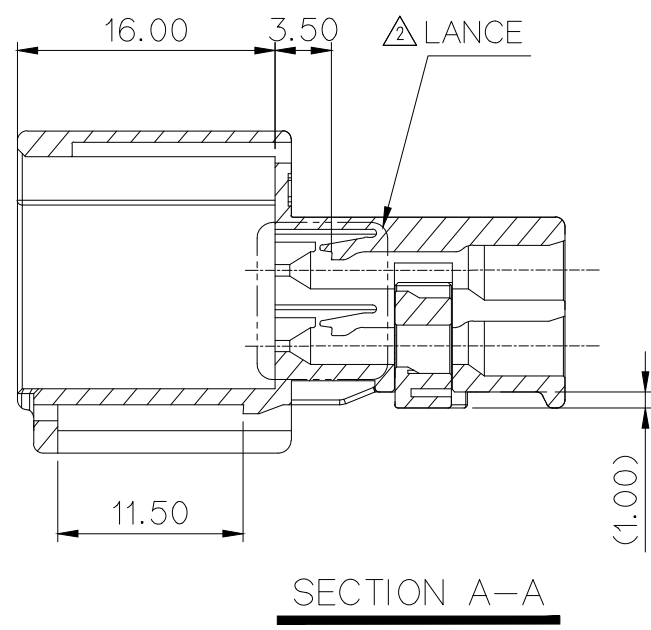


GENERAL TOLERANCE (HOUSING)							USED ON
10MAX	50MAX	100MAX	250MAX	250VR	ANGLE	ECCENT	
±0.2	±0.3	±0.55	±0.95	±1.4	±30'	0.1	

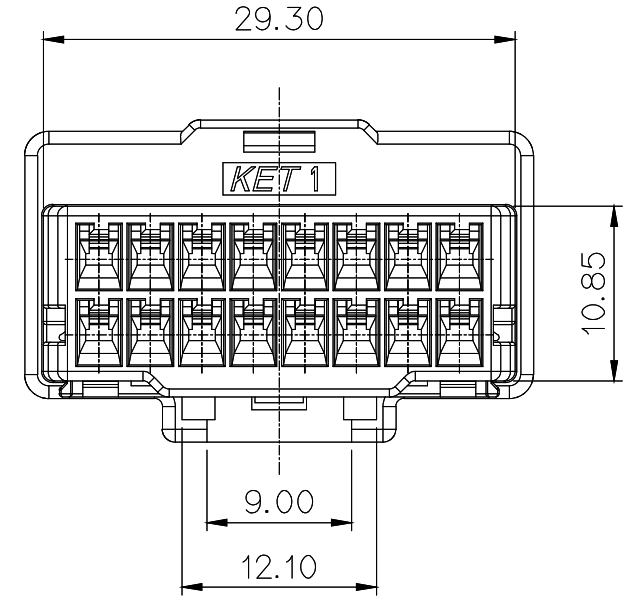
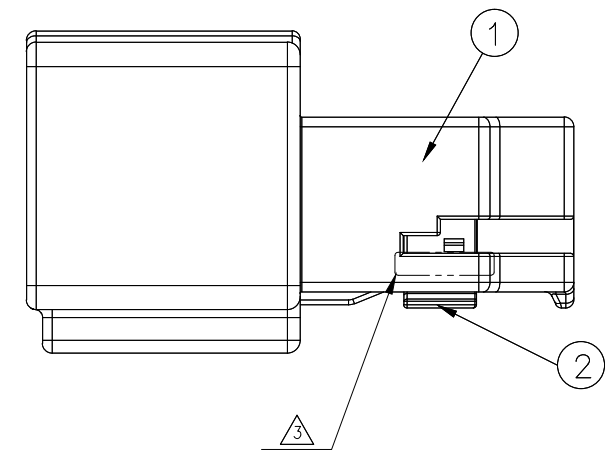
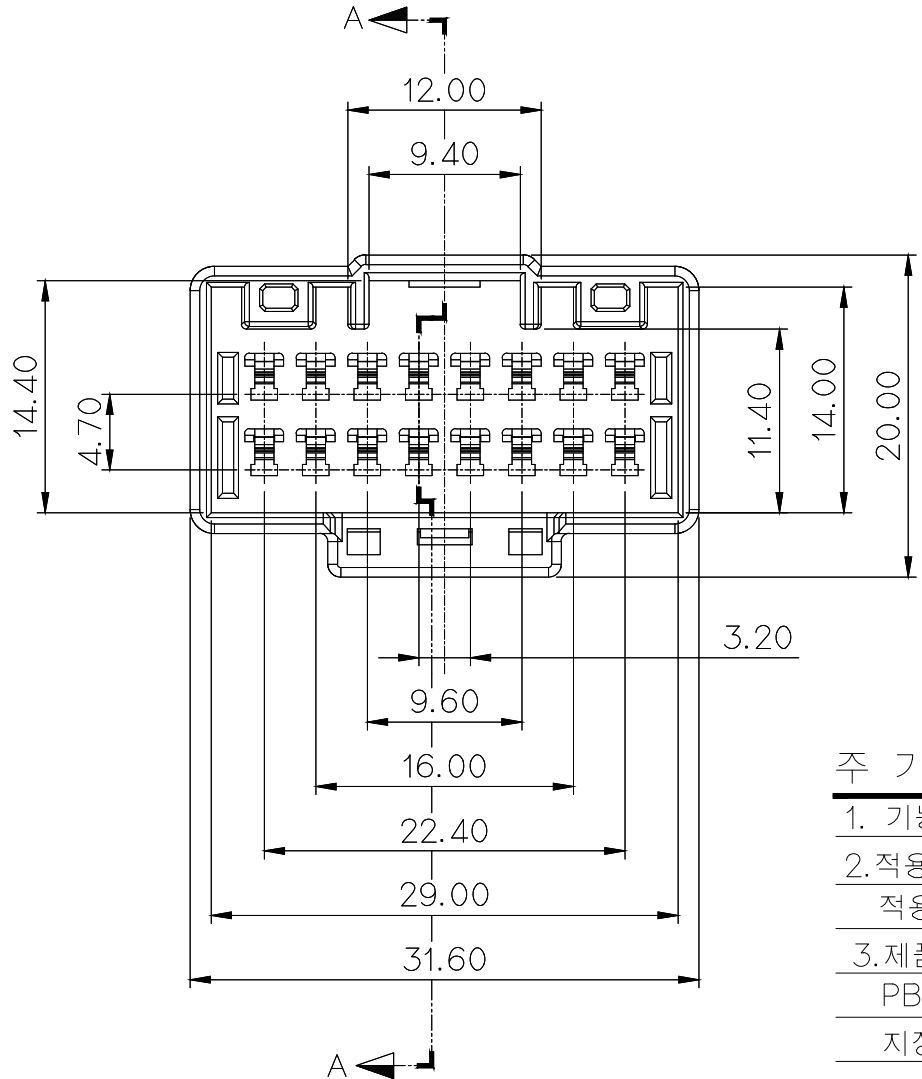
NOTE

- MUST BE FREE OF FLASH, WELDLINE AND IMPERFECTION THAT AFFECT FUNCTION.
- APPLICABLE TERMINAL : ST741331-3, ST741332-3, ST741333-3
APPLICABLE CONNECTOR : MG655623
- 6 HAZARDOUS SUBSTANCES IN PARTS (LEAD, MERCURY, CADMIUM, HEXAVALENT CHROMIUM, PBBs, PBDEs) SHALL NOT EXCEED THE MAXIMUM PERMISSIBLE CONCENTRATION PRESCRIBED UNDER EU ELV DIRECTIVE & RoHS REGULATION.

NO.	MATERIAL	COLOR
0	P B T	NATURAL
1		RED
2		BLUE
20		JADE
3		YELLOW
4		GRAY
40		DARK GRAY
41		LIGHT GRAY
5		BLACK
6		DARK GREEN
7		BROWN
8		LIGHT GREEN
9	MAGENTA	
11	ORANGE	



SECTION A-A



주 기

- 기능상 유해한 BURR 및 WELDLINE 등이 없을 것.
- 적용 TERMINAL : ST741331-3, ST741332-3, ST741333-3
적용 CONNECTOR : MG655623
- 제품내 함유된 6대 유해물질 (납, 수은, 카드뮴, 6가크롬, PBBs, PBDEs)은 EU ELV 지침 및 RoHS 법규에서 지정한 최대 허용 농도를 초과해서는 안된다.

APPROVED

2021-10-18

KOREA ELECTRIC
TERMINAL CO., LTD.
Korea Electric Te
rminal Co., LTD.

ISSUE MARK

NO.	PART NAME	PART NO.	MATERIAL	COLOR	QTY.
①	N060 16M HOUSING	MG675621	SEE TABLE	SEE TABLE	1
②	N060 16P SPACER	MG675622	PBT	L/GRAY	1

③	ECO-2106-313 근거 도면 제작성	SKM	YDH	HYJ	21.06.30	MATERIAL	SEE TABLE	KOREA ELECTRIC TERMINAL CO., LTD.	
②	ECO-2006-169 근거 도면 제작성	SKM	HYJ	CJH	20.06.16	FINISH	SEE TABLE		
①	ECO-2003-469 근거 도면 제작성	SKM	HYJ	CJH	20.03.30	WIRE RANGE		CLASS	
①	검사성적서 합격에 따른 도면 제작성	WHS	KMH	HJB	14.03.11	INSULATION		TYPE 060	
LTR	REVISION RECORD	DR.	CHK.	APP.	DATE	TOLERANCE EXCEPT AS NOTED	SEE TABLE	SCALE 2/1	PART NO. MG645620
DR.	AJH. 2012.01.27	CHK.	KMH. 2012.01.27			PART NAME	N060 16M ASSY		
CHK.	CSH. 2012.01.27	APP.	HSH. 2012.01.27						