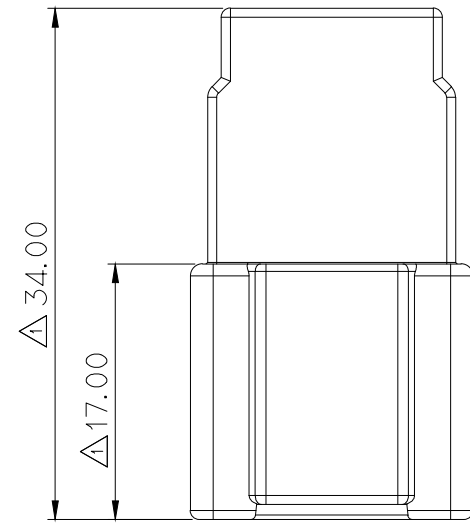


ISO VIEW

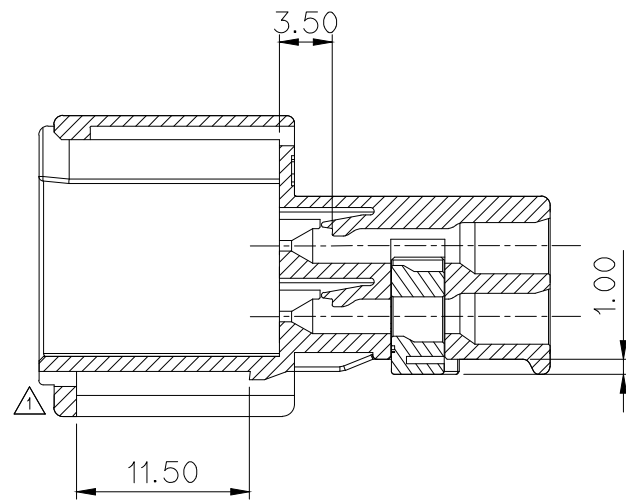


GENERAL TOLERANCE (HOUSING)

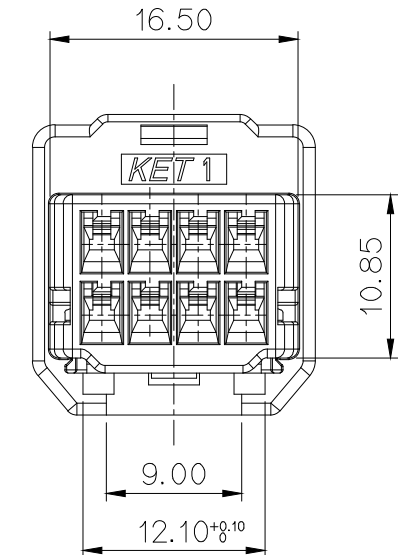
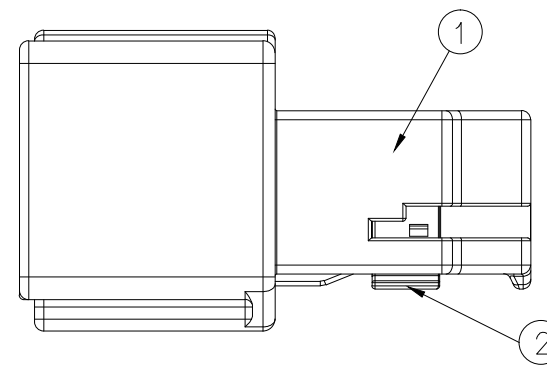
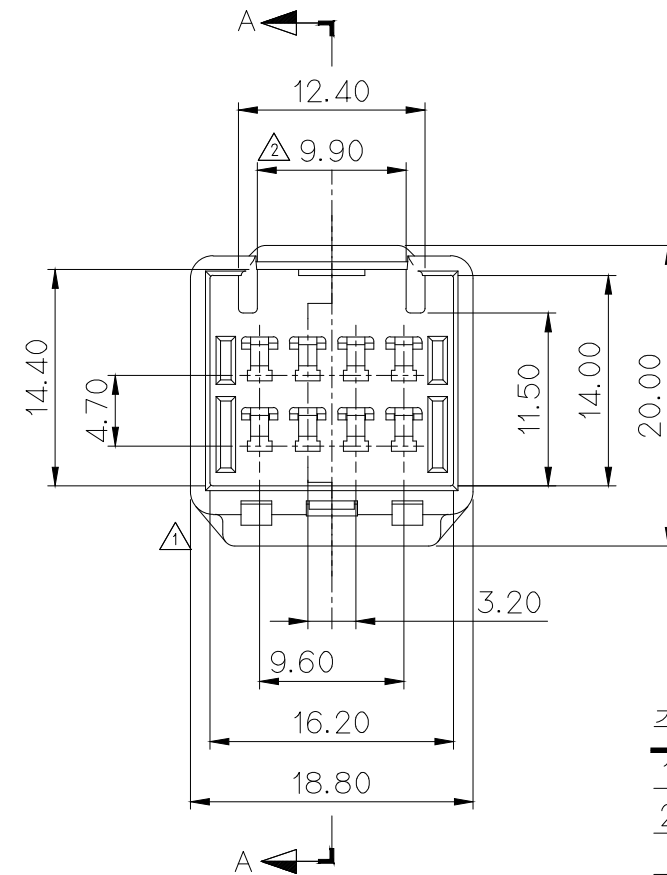
10 MAX	30 MAX	50 MAX	70 MAX	100 MAX	120 MAX	250 MAX	250VR	ANGLE	USED ON
±0.15	±0.20	±0.30	±0.40	±0.50	±0.75	±0.90	±1.4	±30'	

NOTE

- MUST BE FREE OF FLASH, WELDLINE AND IMPERFECTION THAT AFFECT FUNCTION.
- APPLICABLE TERMINAL : ST741331-3, ST741332-3, ST741333-3  
APPLICABLE CONNECTOR : MG655603
- 6 HAZARDOUS SUBSTANCES IN PARTS (LEAD, MERCURY, CADMIUM, HEXAVALENT CHROMIUM, PBBs, PBDEs) SHALL NOT EXCEED THE MAXIMUM PERMISSIBLE CONCENTRATION PRESCRIBED UNDER EU ELV DIRECTIVE & RoHS REGULATION.



SECTION A-A



주 기

- 기능상 유해한 BURR 및 WELDLINE 등이 없을 것.
- 적용 TERMINAL : ST741331-3, ST741332-3, ST741333-3  
적용 CONNECTOR : MG655603
- 제품내 함유된 6대 유해물질 (납, 수은, 카드뮴, 6가크롬, PBBs, PBDEs)은 EU ELV 지침 및 RoHS 법규에서 지정한 최대 허용 농도를 초과해서는 안된다.

**APPROVED**

**2021-10-18**

**KOREA ELECTRIC  
TERMINAL CO., LTD.  
Korea Electric Te  
rminal Co., LTD.**

SEE TABLE	ISSUE MARK
DIE NO	

NO.	PART NAME	PART NO.	MATERIAL	COLOR	QTY.
1	N060 8M HOUSING	MG675601	PBT	NATURAL	1
2	N060 8P SPACER	MG675602	PBT	L/GRAY	1

MATERIAL	SEE TABLE	<b>KET</b> ENGINEERED	KOREA ELECTRIC					
FINISH	SEE TABLE		TERMINAL CO., LTD.					
WIRE RANGE		CLASS	060					
INSULATION		TYPE						
TOLERANCE EXCEPT AS NOTED	SEE TABLE	SCALE	2/1					
LTR	REVISION RECORD	DR.	CHK.	APP.	DATE	PART NO.	MG645600	
DR.	AJH. 2012.02.14	CHK.	KMH. 2012.02.16			PART NAME	N060 8M ASSY	
CHK.	CSH. 2012.02.16	APP.	HSH. 2012.02.16					