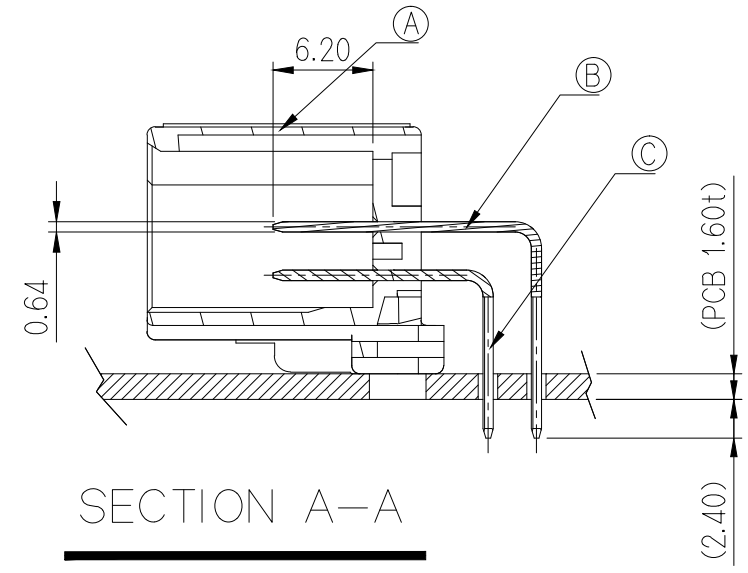
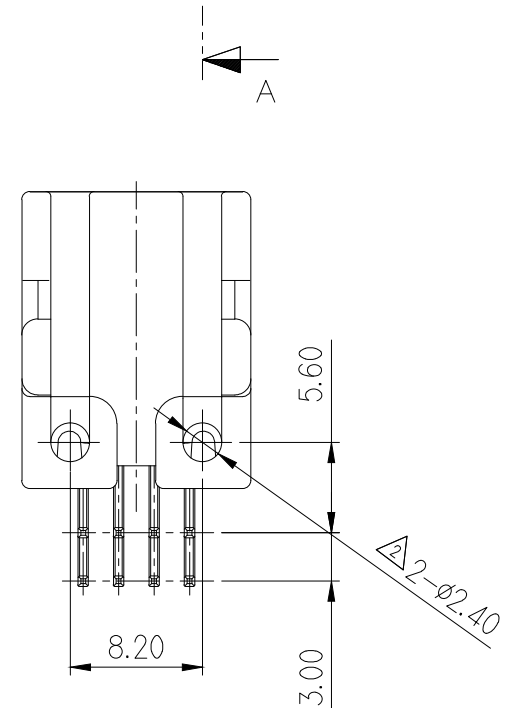
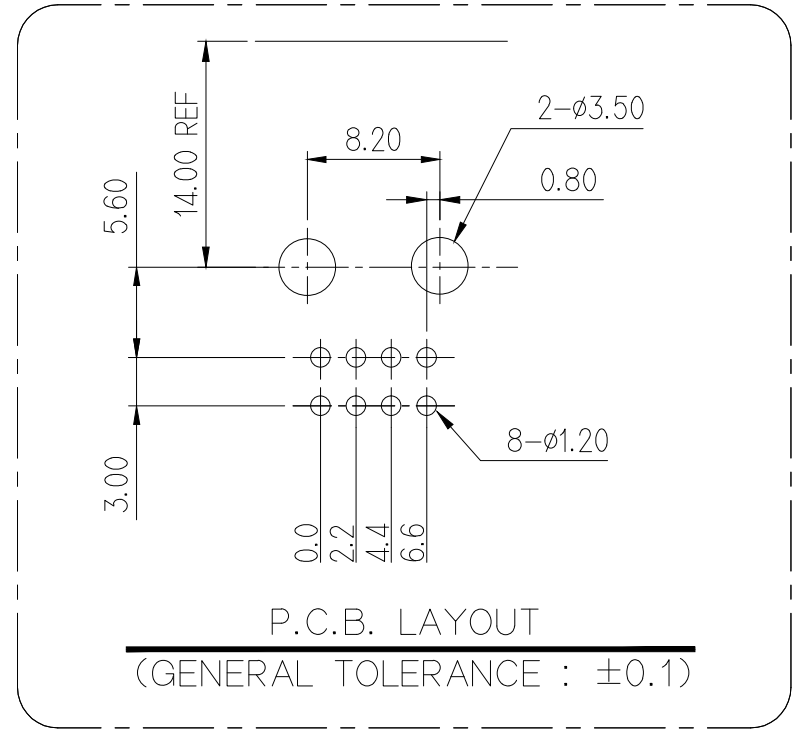
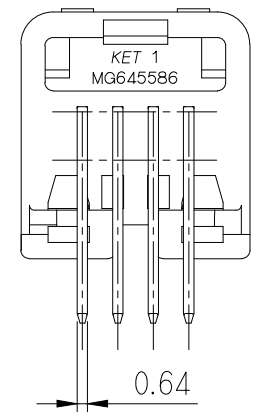
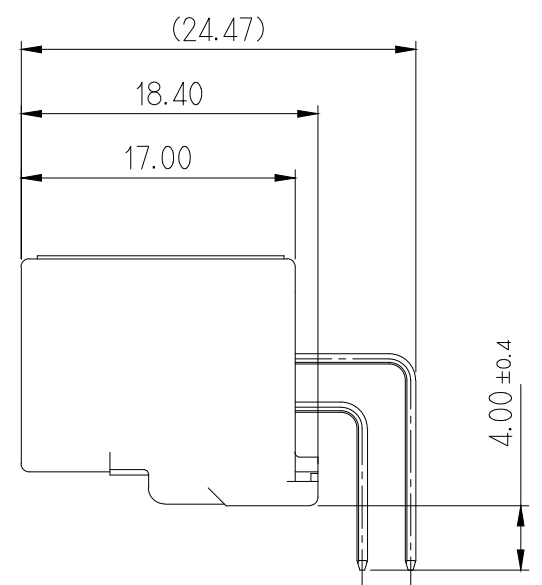
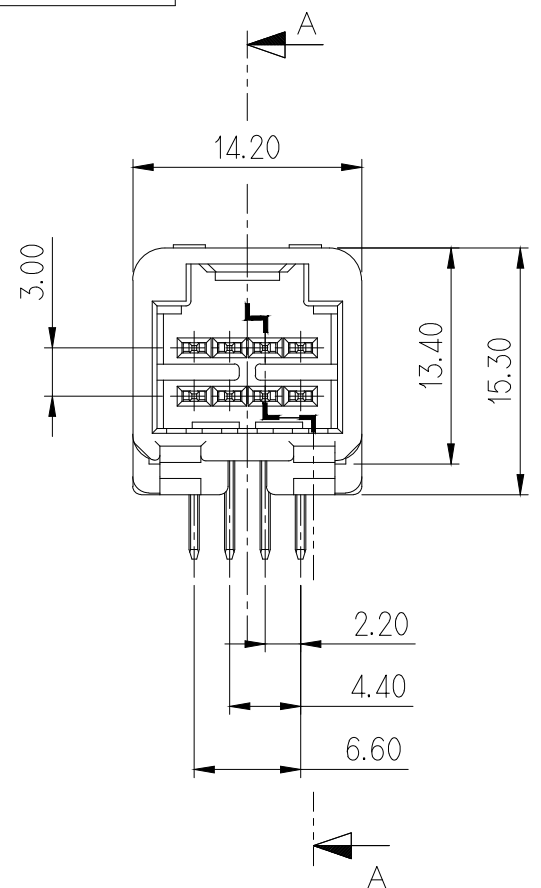


ISO VIEW

GENERAL TOLERANCE (TERMINAL)					GENERAL TOLERANCE (HOUSING)							USED ON
10MAX	20MAX	45MAX	ANGLE	ECCENT	10MAX	50MAX	100MAX	250MAX	250VR	ANGLE	ECCENT	
±0.2	±0.25	±0.3	±30'	0.1	±0.2	±0.3	±0.55	±0.95	±1.4	±30'	0.1	



주 기

- 기능상 유해한 BURR 및 WELDLINE 등이 없을 것.
- 적용 CONNECTOR : MG655587, MG656980
- 적용 BOLT : M3 일반나사
- 제품내 함유된 6대 유해물질 (납,수은,카드뮴,6가크롬, PBBs,PBDEs)은 EU ELV 지침 및 RoHS 법규에서 지정한 최대 허용 농도를 초과해서는 안된다.

NOTE

- MUST BE FREE OF BURR, WELDLINE AND IMPERFECTION THAT AFFECT FUNCTION.
- APPLICABLE CONNECTOR : MG655587, MG656980
- APPLICABLE MOUNTING SCREW : M3 SCREW
- 6 HAZARDOUS SUBSTANCES IN PARTS (LEAD MERCURY,CADMIUM,HEXAVALENT CHROMIUM, PPBs,PPDEs) SHALL NOT EXCEED THE MAXIMUM PERMISSIBLE CONCENTRATION PRESCRIBED UNDER EU ELV DIRECTIVE & RoHS REGULATION.

APPROVED

2021-10-18

KOREA ELECTRIC TERMINAL CO., LTD.
Korea Electric Terminal Co., LTD.

ISSUE MARK

NO.	PART NAME	PART NO.	MATERIAL	FINISH	QTY.
(A)	025 8M PCB HS'G (HZT)	MG675641	SPS+GF17%	NATURAL	1
(B)	025 TAB TERMINAL (L)	ST791224-2S	BRASS	SELECTIVE TIN	4
(C)	025 TAB TERMINAL (S)	ST791225-2S			4

MATERIAL	SEE TABLE		KOREA ELECTRIC TERMINAL CO., LTD.
FINISH	SEE TABLE		
WIRE RANGE		CLASS	025
INSULATION		TYPE	
LTR	REVISION RECORD	TOLERANCE EXCEPT AS NOTED	SCALE 2/1
DR.	CYJ. 2011.06.10	CHK.	PART NO. MG645586
CHK.		APP.	HSH. 2011.06.10
		PART NAME 025 8M PCB ASSY (HZT)	