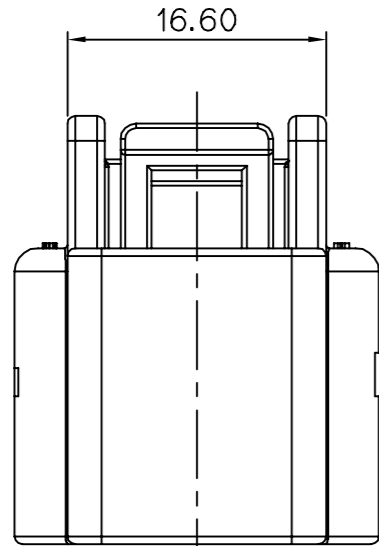
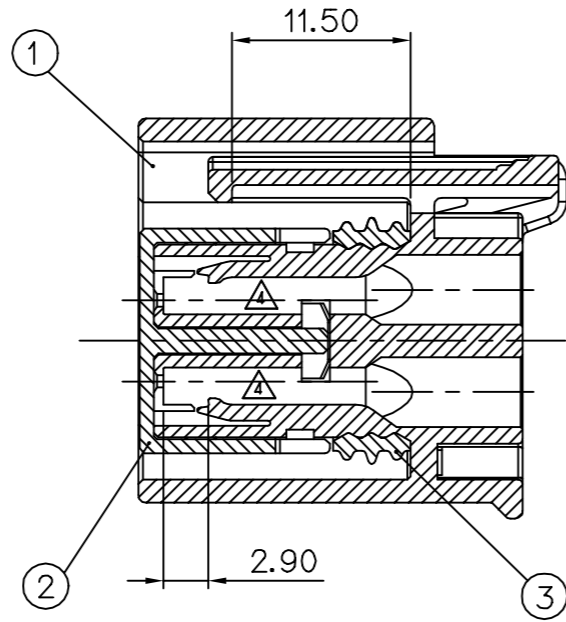


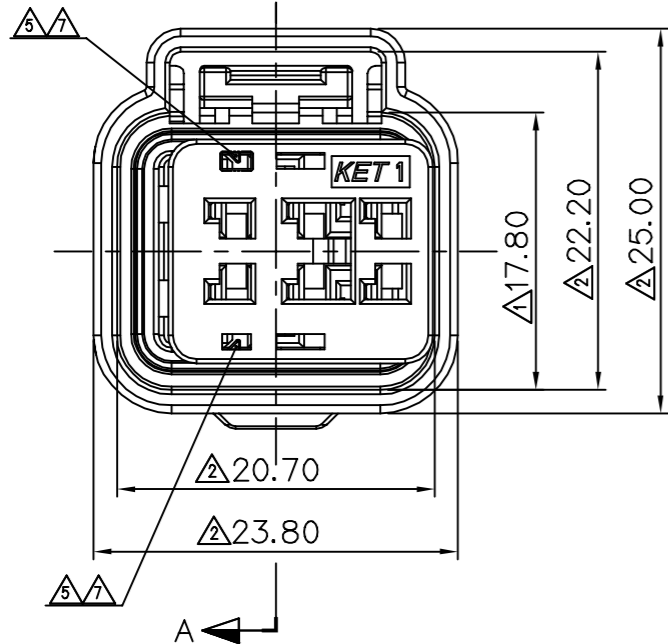
ISO VIEW



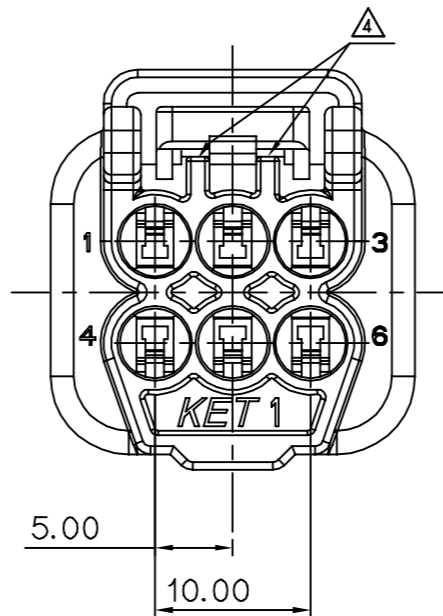
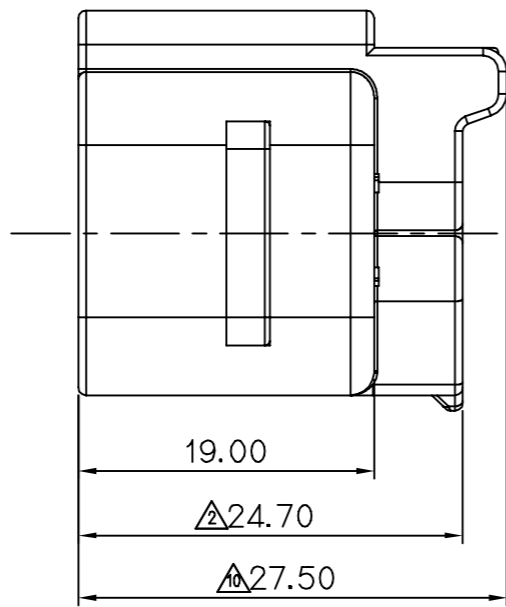
A



SECTION A-A



A



GENERAL TOLERANCE (HOUSING)									USED ON
10MAX	30MAX	50MAX	70MAX	100MAX	120MAX	250MAX	250VR	ANGLE	
±0.15	±0.20	±0.30	±0.40	±0.50	±0.75	±0.90	±1.40	±30'	

NO.	PART NO.	PART NAME	MATERIAL	FINISH
①	MG675580	N060 WP 6F HOUSING	△SEE TABLE	△SEE TABLE
②	MG675581	N060 WP 6F SIDE HOLDER	PBT	NATURAL
③	R602455	N060 WP 6F INNER SEAL	SILICONE	RED

△	NO.	MATERIAL	COLOR
	0	PBT+GF15	NATURAL
	1		RED
	2		BLUE
	20		JADE
	3		YELLOW
△/△*	4		(DARK) GRAY
△/△*	41		LIGHT GRAY
*	5		BLACK
	6		DARK GREEN
	7		BROWN
	8		LIGHT GREEN
	9	MAGENTA	
	11	ORANGE	

NOTE

- MUST BE FREE OF BURR, WELDLINE AND IMPERFECTION THAT AFFECT FUNCTION.
- APPLICABLE TERMINAL : △ST731368, 1369-3
APPLICABLE WIRE SEAL : △MG68530/5391/5392/5393
APPLICABLE DUMMY SEAL : MG685394, △MG685502
- MATCHING CONNECTOR : MG655640, △MG657135
- 6 HAZARDOUS SUBSTANCES IN PARTS (LEAD, MERCURY, CADMIUM, HEXAVALENT CHROMIUM, PPBs, PPDEs) SHALL NOT EXCEED THE MAXIMUM PERMISSIBLE CONCENTRATION PRESCRIBED UNDER EU ELV DIRECTIVE & RoHS REGULATION.

주 기

- 기능상 유해한 BURR 및 WELDLINE 등이 없을 것.
- 적용 TERMINAL : △ST731368, 1369-3
적용 WIRE SEAL : △MG685390/5391/5392/5393
적용 DUMMY SEAL : MG685394, △MG685502
- 상대 CONNECTOR : MG655640, △MG657135
- 제품내 함유된 6대 유해물질 (납, 수은, 카드뮴, 6가크롬, PBBs, PBDEs)은 EU ELV 지침 및 RoHS 법규에서 지정한 최대 허용 농도를 초과해서는 안된다.

APPROVED

2021-11-03

KOREA ELECTRIC
TERMINAL CO., LTD.
Korea Electric Te
rminal Co., LTD.

ISSUE MARK

△10	ECO-2108-270 근거 도면 제작성	STJ	KSC	HYJ	2021.08.23
△9	ECO-2107-107 근거 도면 제작성	STJ	KSC	HYJ	2021.07.09
△8	ECO-2107-055 근거 도면 제작성	STJ	KSC	HYJ	2021.07.06
△7	ECO-2009-238 근거 도면 제작성	STJ	KSC	CJH	2020.09.15

△6	ECO-2009-195 근거 도면 제작성	STJ	LND	-	CJH	2020.09.11
△5	ECO-1506-423 근거 제품도 변경 LOCK 형상 변경 (상/하 2개소)	SY.L	CKY	-	LSY	2015.06.25
△4	ECO-1501-137 근거 제품도 변경 LEVER 및 LANCE 파손 (나한성 TEST시)	RJH	HYJ	-	LSY	2015.01.13
△3	TM'L, W/Seal 사양 삭제	RJH	HYJ	-	LSY	2014.07.14
△2	ECO-1402-260 근거 도면 제작성	SJK	KMH	CWK	HJB	2014.03.09
△1	ECO-1302-183 근거 도면 제작성	SJK	HYJ	-	HSJ	2013.02.27
LTR	REVISION RECORD	DR.	CHK.	CHK.	APP.	DATE
	LHS 2012.05.17	CHK.	KMH			2012.05.17
		APP.	HSJ			2012.05.18

MATERIAL	SEE TABLE	KIET KOREA ELECTRIC [ENGINEERED] TERMINAL CO., LTD.
FINISH	SEE TABLE	
WIRE RANGE		CLASS 060
INSULATION		TYPE WP
TOLERANCE EXCEPT AS NOTED	SCALE 2/1	PART NO. MG645579
PART NAME	N060 WP 6F ASSY	