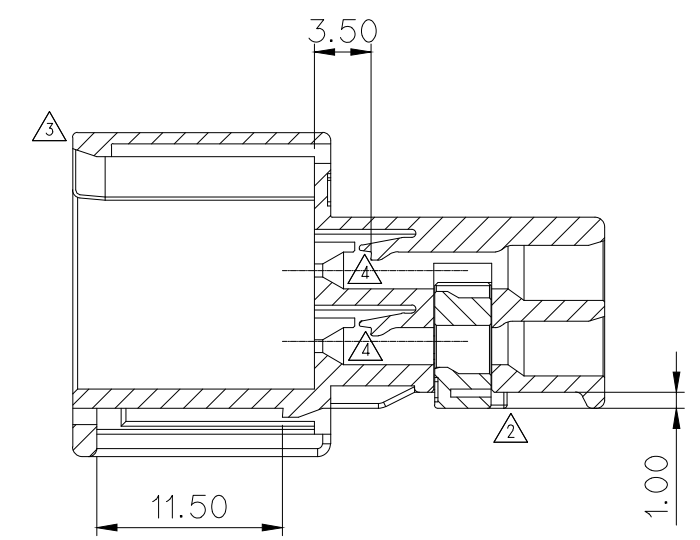
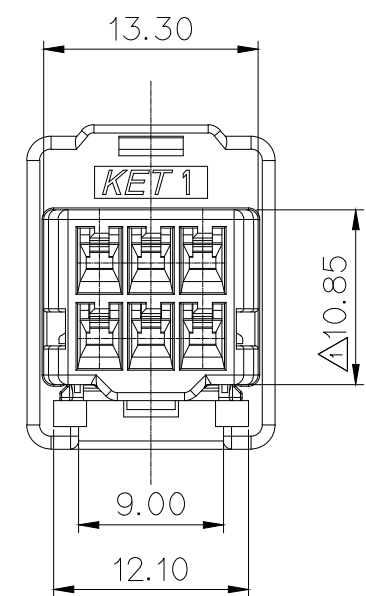
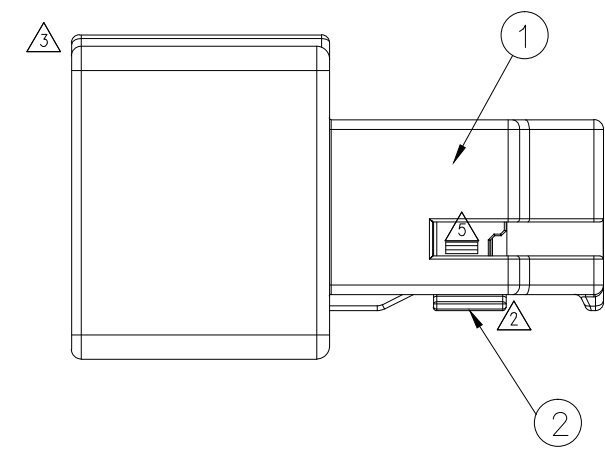
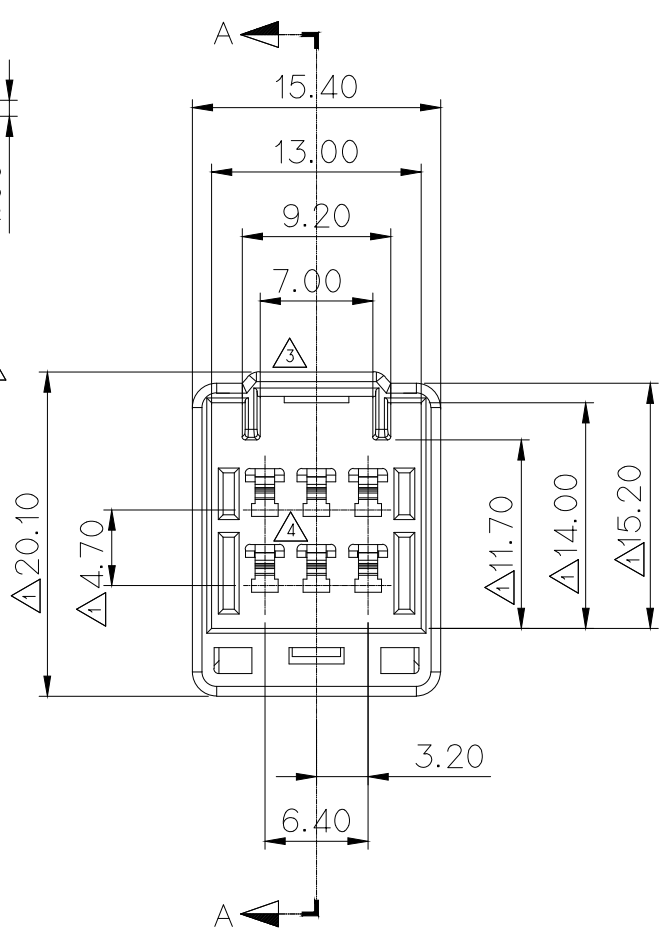
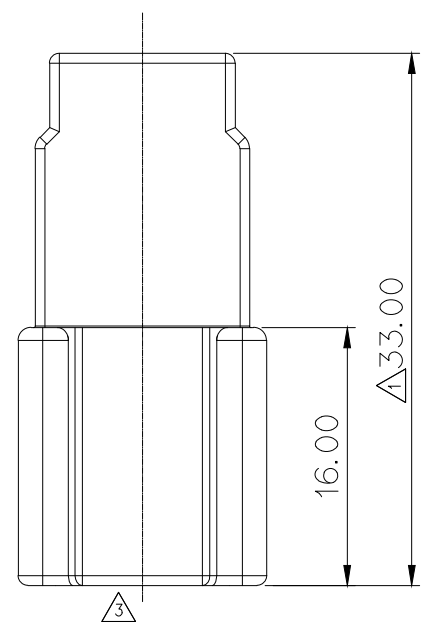
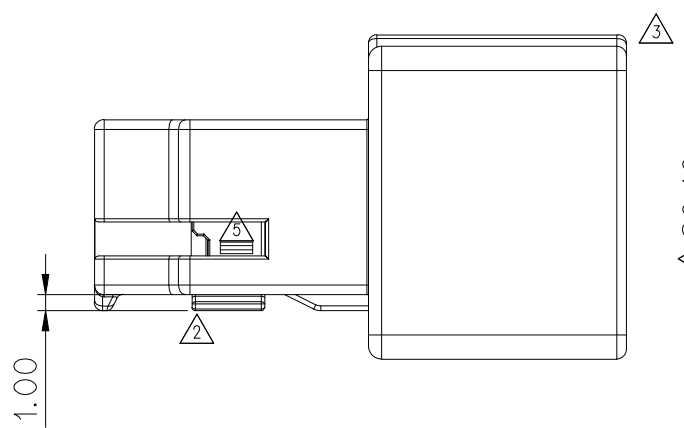


ISO VIEW



SECTION A-A



GENERAL TOLERANCE (HOUSING)							USED ON
10MAX	50MAX	100MAX	250MAX	250VR	ANGLE	ECCENT	
±0.2	±0.3	±0.55	±0.95	±1.4	±30'	0.1	

주 기

- 기능상 유해한 BURR 및 WELDLINE 등이 없을 것.
- 적용 TERMINAL : ST741331-3, ST741332-3, ST741333-3
적용 CONNECTOR : MG655574
- 제품내 함유된 6대 유해물질 (납,수은,카드뮴,6가크롬, PBBs,PBDEs)은 EU ELV 지침 및 RoHS 법규에서 지정한 최대 허용 농도를 초과해서는 안된다.

NOTE

- MUST BE FREE OF FLASH, WELDLINE AND IMPERFECTION THAT AFFECT FUNCTION.
- APPLICABLE TERMINAL : ST741331-3, ST741332-3, ST741333-3
APPLICABLE CONNECTOR : MG655574
- 6 HAZARDOUS SUBSTANCES IN PARTS (LEAD, MERCURY, CADMIUM, HEXAVALENT CHROMIUM, PBBs, PBDEs) SHALL NOT EXCEED THE MAXIMUM PERMISSIBLE CONCENTRATION PRESCRIBED UNDER EU ELV DIRECTIVE & RoHS REGULATION.

APPROVED
2021-11-03
KOREA ELECTRIC
TERMINAL CO., LTD.
Korea Electric Terminal Co., LTD.

ISSUE MARK

NO.	PART NAME	PART NO.	MATERIAL	COLOR	QTY.
1	060 6M HOUSING	MG675572	PBT	NATURAL	1
2	060 6P SPACER	MG675573	PBT	L/GRAY	1

5	ECO-2103-400 근거 도면 제작성	KJH	HYJ	CJH	21.03.31	MATERIAL	SEE TABLE	KET KOREA ELECTRIC ENGINEERED TERMINAL CO., LTD.	
4	ECO-1603-004 근거 도면 제작성 (LANCER부 유격 축소)	RJH	HYJ	SUK	16.03.02	FINISH	SEE TABLE		
3	ECO-1507-511 근거 도면 제작성	AYT	HYJ	SUK	15.07.30	WIRE RANGE	/	CLASS	060
2	ECO-1208-764 근거 도면 제작성 (착업성 개선)	HSR	CSH	HSH	12.08.22	INSULATION	/	TYPE	비방수
1	ECO-1204-044 근거 도면 제작성	LHS	CSH	HSH	12.04.25	TOLERANCE EXCEPT AS NOTED	SEE TABLE	SCALE	2/1
LTR	REVISION RECORD	DR.	CHK.	APP.	DATE	PART NAME	060 6M ASSY		
DR.	KMH 2011.09.30	CHK.	/						
CHK.	CWK	APP.	KKJ						