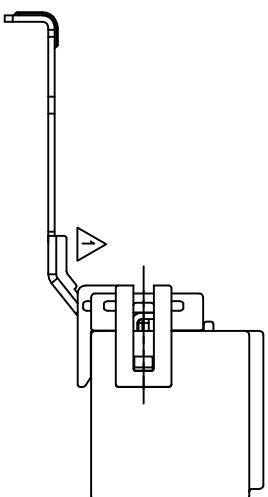


ISO VIEW

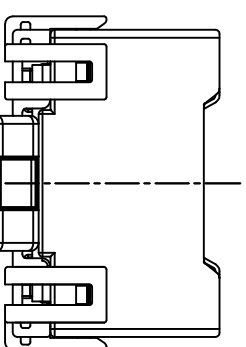
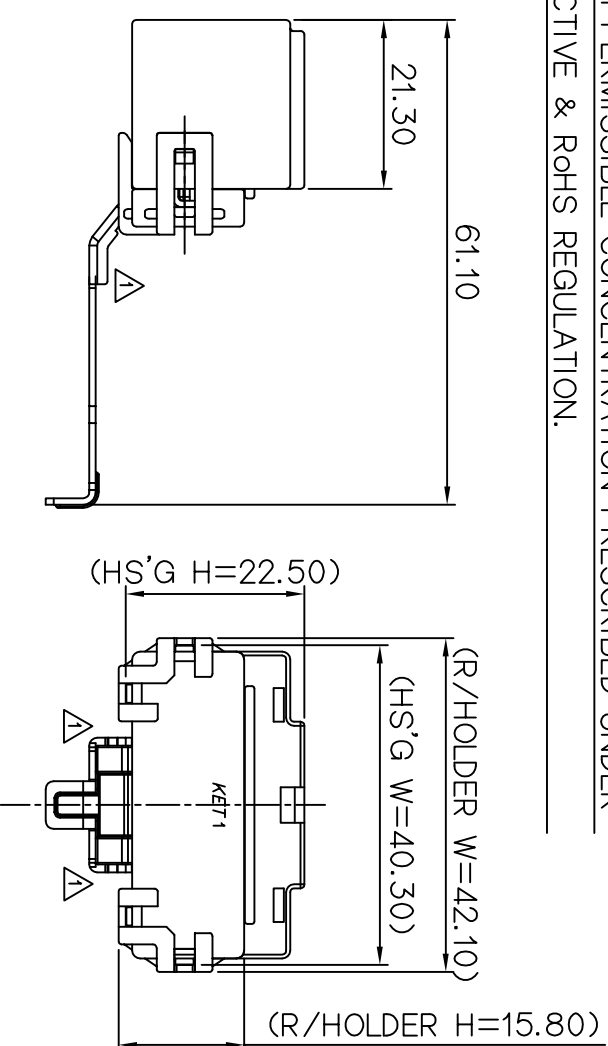
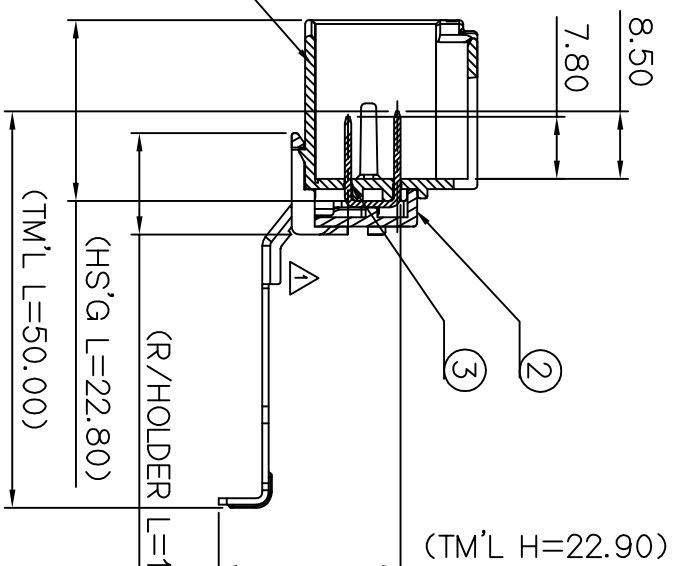
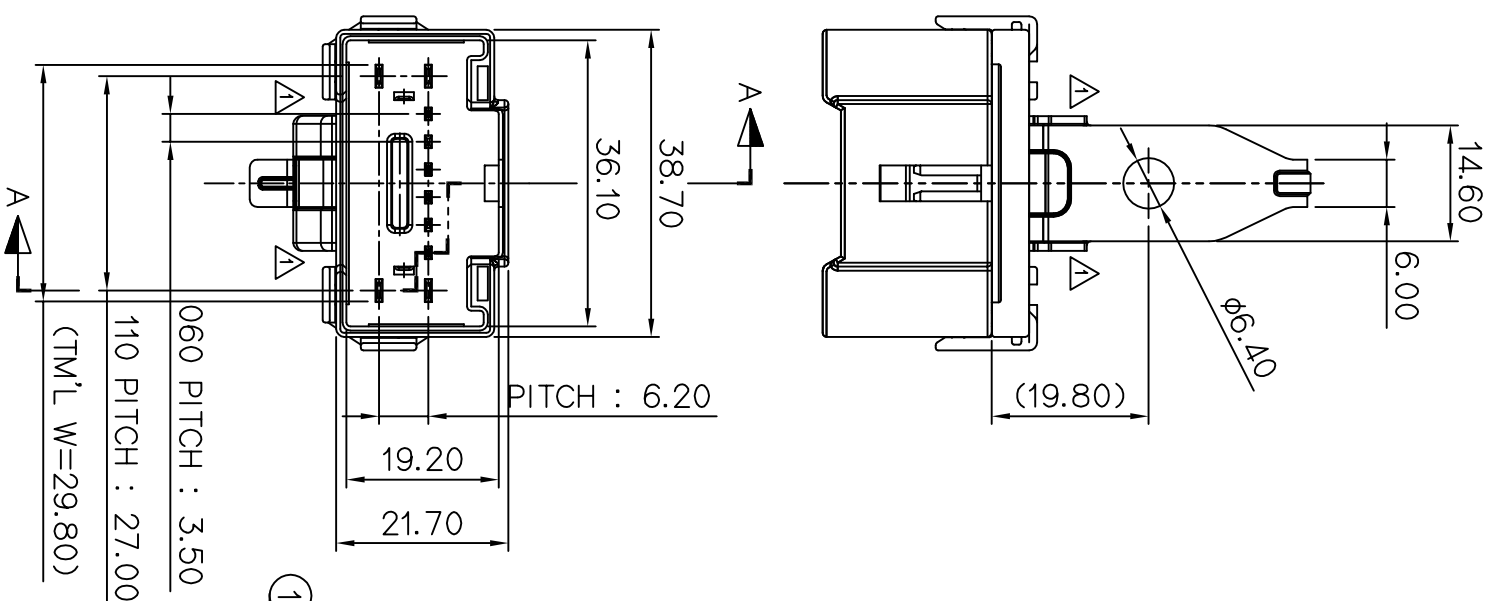


GENERAL TOLERANCE (HOUSING)						USED ON
10MAX	50MAX	100MAX	250MAX	250VR	ANGLE	ECCENT
±0.2	±0.3	±0.55	±0.95	±1.4	±30'	0.1

NO.	PART NAME	PART NO	MATERIAL	QTY.	FINISH
1	060110 HYBRID EARTH JOINT 10M HOUSING	MG675207	PBT	1	NATURAL
2	060110 HYBRID EARTH JOINT 10M REAR HOLDER	MG675208	PBT	1	L/GRAY
3	060110 HYBRID EARTH JOINT 10M TAB TERMINAL	ST792316-3	BRASS	1	PRE-TIN

NOTE

1. APPLICABLE CONNECTOR : MG655203
2. 6 HAZARDOUS SUBSTANCES IN PARTS (LEAD, MERCURY, CADMIUM, HEXAVALENT, CHROMIUM, PBBs, PBDEs) SHALL NOT EXCEED THE MAXIMUM PERMISSIBLE CONCENTRATION PRESCRIBED UNDER EU ELV DIRECTIVE & RoHS REGULATION.



주 기

1. 적용 CONNECTOR : MG655203
2. 제품내 함유된 6대 유해물질 (납,수은,카드뮴,6가크롬, PBBs, PBDEs)은 EU ELV 지침 및 RoHS 법규에서 지정한 최대 허용 농도를 초과해서는 안된다.

ISSUE MARK

REVISION RECORD				TOLERANCE EXCEPT AS NOTED		PART NAME	
LTR	REVISION RECORD	DR. CHK.	APP. CHK.	DATE	SEE TABLE	SCALE	PART NO.
Δ	E00-201-28121의 6대 유해 물질	JSY	CWK	12.01.19	SEE TABLE	1/1	MG645206
DR.	SHIN.S.H	2011.07.26	CHK.	APP.	KKJ		060110 HYBRID EARTH JOINT 10M ASSY

**KIET** KOREA ELECTRIC  
ENGINEERED TERMINAL CO., LTD.

CLASS 060+110

TYPE HYBRID