

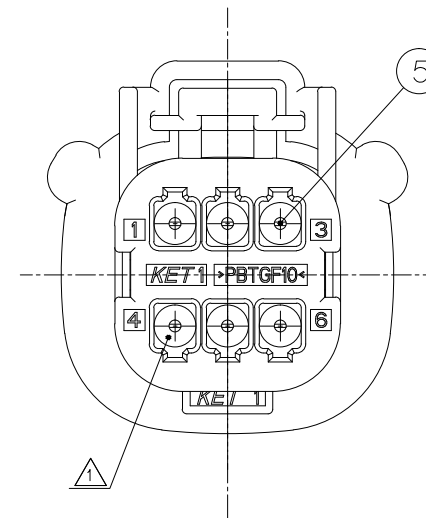
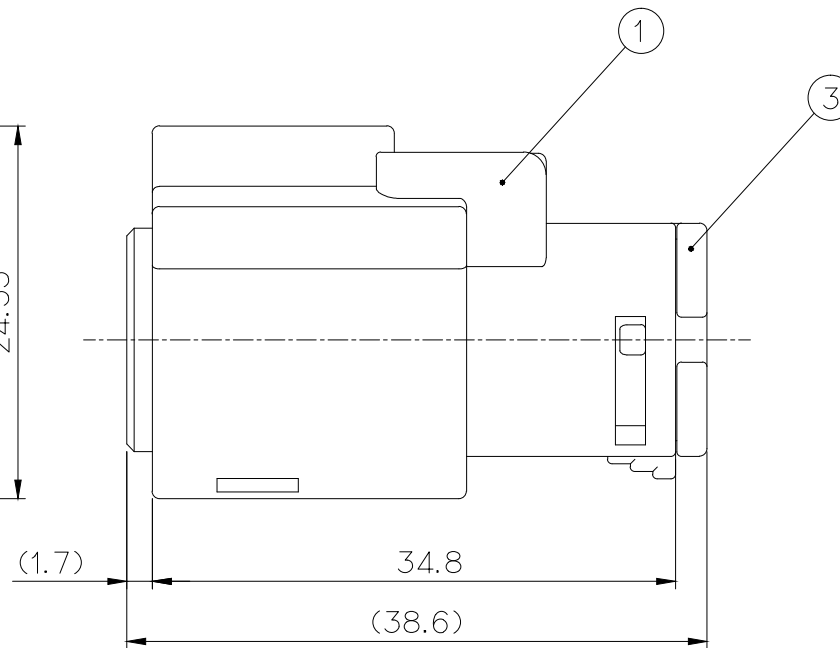
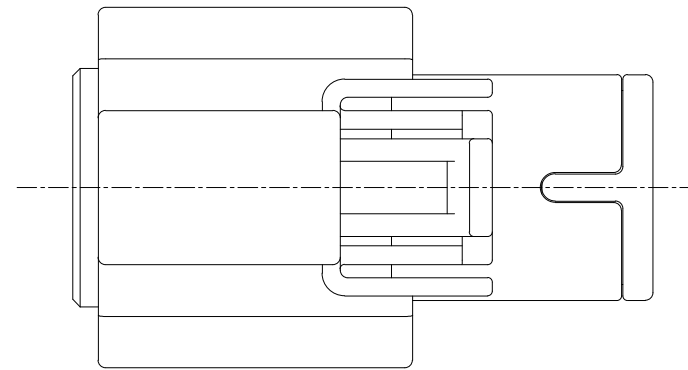
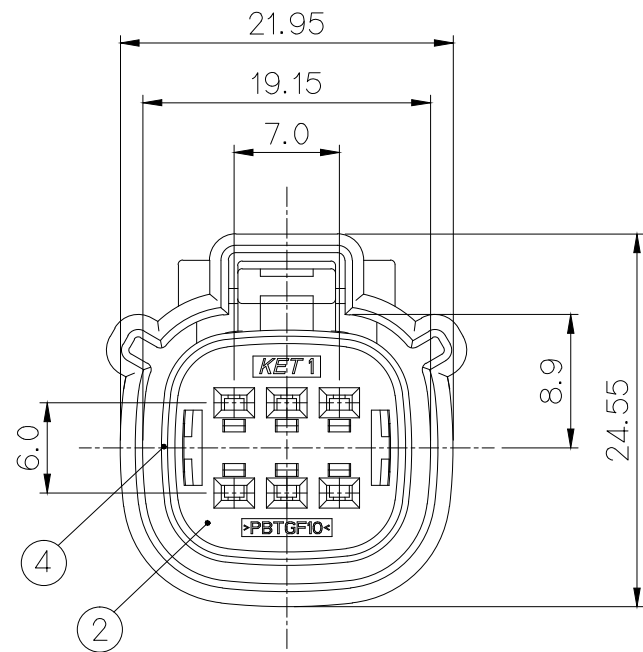
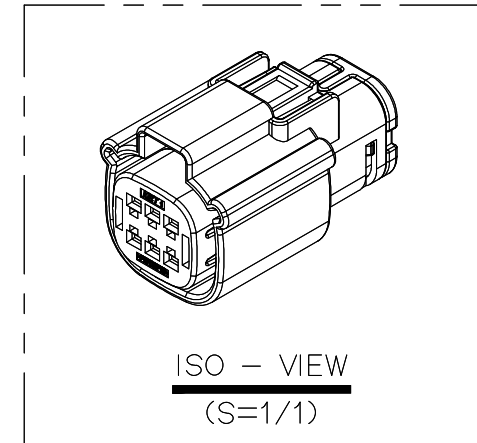
NOTE

- UNLESS OTHERWISE SPECIFIED ALL RADIUS TO BE 0.5 RADIUS.
- UNLESS OTHERWISE SPECIFIED ALL CHAMFER TO BE 0.5 RADIUS.
- MUST BE FREE OF FLASH AND IMPERFECTION THAT AFFECT FUNCTION.
- APPLICABLE TERMINAL : MOLEX[33012-2002]
- 6 HAZARDOUS SUBSTANCES IN PARTS (LEAD, MERCURY, CADMIUM, HEXAVALENT CHROMIUM, PPBs, PPDEs) SHALL NOT EXCEED THE MAXIMUM PERMISSIBLE CONCENTRATION PRESCRIBED UNDER EU ELV DIRECTIVE & RoHS REGULATION.
- MATING MALE ASSY : MG655111

GENERAL TOLERANCE (HOUSING)							USED ON
10MAX	50MAX	100MAX	250MAX	250VR	ANGLE	ECCENT	
±0.2	±0.3	±0.55	±0.95	±1.4	±30'	0.1	

주 기

- 지시하지 않은 반경 R은 0.5로 한다
- 지시하지 않은 모따기 C는 0.5로 한다.
- 기능상 유해한 FLASH 또는 변형이 없을 것.
- 적용 TERMINAL : MOLEX[33012-2002]
- 제품내 함유된 6대 유해물질 (납,수은,카드뮴,6가크롬, PPBs,PPDEs)은 EU ELV 지침 및 RoHS 법규에서 지정한 최대 허용 농도를 초과해서는 안된다.
- 적용 MALE ASSY : MG655111



NO.	MATERIAL	COLOR
0	PBT GF15	NATURAL
1		RED
2		BLUE
20		JADE
3		YELLOW
4		GRAY
40		DARK GRAY
41		LIGHT GRAY
* 5		BLACK
6		DARK GREEN
7		BROWN
8	LIGHT GREEN	
9	MAGENTA	
11	ORANGE	

NO.	PART NAME	PART NO.	MATERIAL	COLOR	QTY.
1	150 WP 6F HOUSING	MG675108	SEE TABLE	SEE TABLE	1
2	150 WP 6F TPA	MG675109	PBT-GF10	NATURAL	1
3	150 WP 6F REAR HOLDER	MG675110	PBT-GF10	BLACK	1
4	150 WP 6F INNER SEAL	R602289	SILICONE	RED	1
5	150 WP 6F FAMILY SEAL	R602290	SILICONE	RED	1

APPROVED
2020-12-10
KOREA ELECTRIC TERMINAL CO., LTD.
Korea Electric Terminal Co., LTD.

ISSUE MARK

MATERIAL	SEE TABLE	KET ENGINEERED KOREA ELECTRIC TERMINAL CO., LTD.
FINISH	SEE TABLE	
WIRE RANGE	150 WP	CLASS 150 WP
INSULATION		TYPE
TOLERANCE EXCEPT AS NOTED	SEE TABLE	SCALE 2/1
PART NAME	150 WP 6F ASSY	
LTR	ECO-1907-028 근거 도면 재작성	STJ HYJ CJH 19.07.02
DR.	LTG. 2012.01.04	CHK.
CHK.	HEM 01/09	APP. HSH 01/09