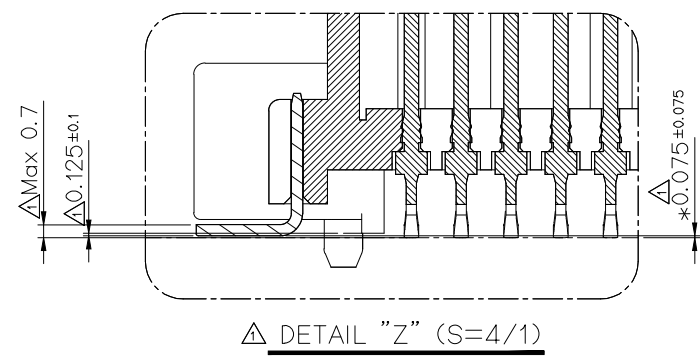
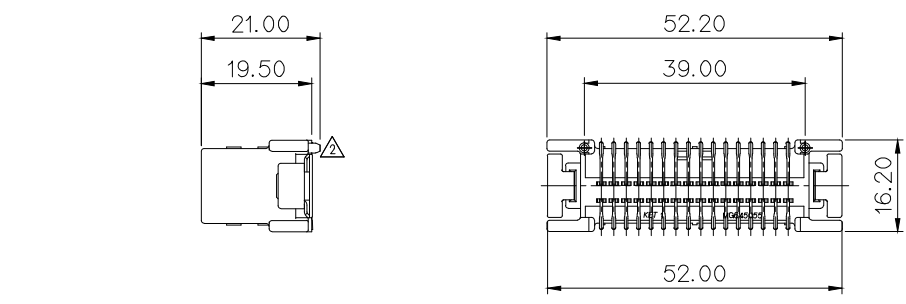
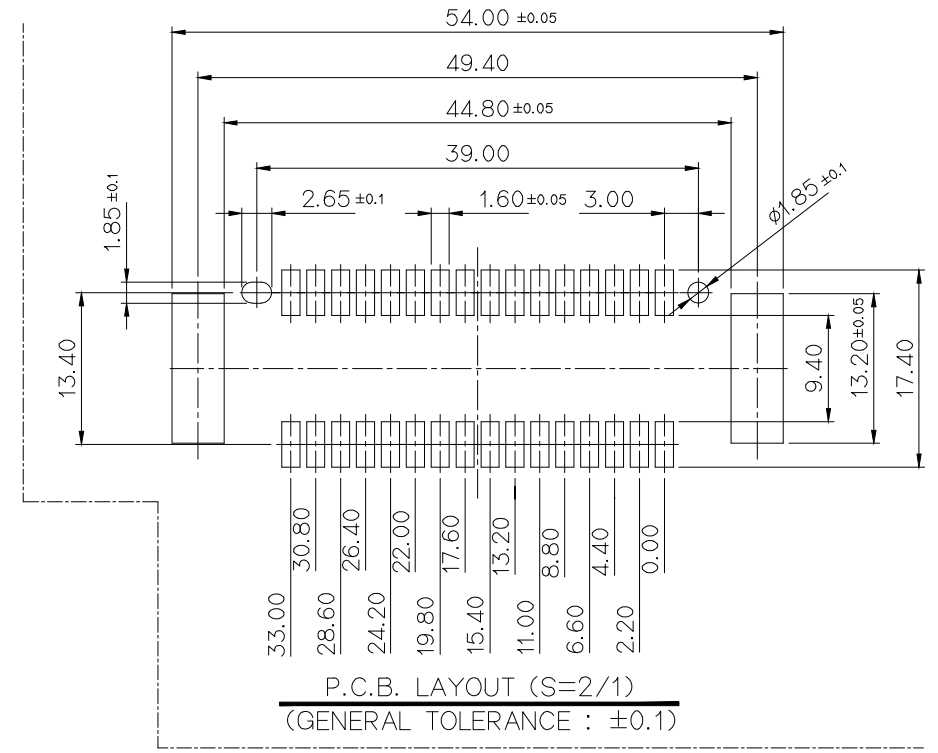


SECTION A-A



DETAIL "Z" (S=4/1)

GENERAL TOLERANCE (TERMINAL)					GENERAL TOLERANCE (HOUSING)							USED ON
10MAX	20MAX	45MAX	ANGLE	ECCENT	10MAX	50MAX	100MAX	250MAX	250VR	ANGLE	ECCENT	
±0.2	±0.25	±0.3	±30'	0.1	±0.2	±0.3	±0.55	±0.95	±1.4	±30'	0.1	



P.C.B. LAYOUT (S=2/1)
(GENERAL TOLERANCE : ±0.1)

NO.	ASSY NO.	구성품 내역					
		NO.	PART NAME	PART NO.	MATERIAL	FINISH	QTY.
1	MG645055-5	①	025 32M PCB HS'G (SMD)	MG675056-5	PPS+GF40%	BLACK	1
		②	025 PCB SMD TM'L(L)	ST792238-2	BRASS	SN 후도금	16
		③	025 PCB SMD TM'L(S)	ST792239-2	BRASS	SN 후도금	16
		④	025 PCB SMD BRACKET	△ST792240-2	BRASS	SN 후도금	2
2	MG645055-5C	①	025 32M PCB HS'G (SMD)	MG675056-5	PPS+GF40%	BLACK	1
		②	025 PCB SMD TM'L(L)	ST792608-2	BRASS	SN 후도금 (Reflow)	16
		③	025 PCB SMD TM'L(S)	ST792609-2	BRASS	SN 후도금 (Reflow)	16
		④	025 PCB SMD BRACKET	ST792240-2	BRASS	SN 후도금	2

NOTE

- MUST BE FREE OF BURR, WELDLINE AND IMPERFECTION THAT AFFECT FUNCTION.
- APPLICABLE HOUSING : MG654922(ENGAGE/DISENGAGE FORCE 7.6kgf) MG655709(ENGAGE/DISENGAGE FORCE 7.6kgf)
- 6 HAZARDOUS SUBSTANCES IN PARTS (LEAD, MERCURY, CADMIUM, HEXAVALENT CHROMIUM, PPBs, PPDEs) SHALL NOT EXCEED THE MAXIMUM PERMISSIBLE CONCENTRATION PRESCRIBED UNDER EU ELV DIRECTIVE & RoHS REGULATION.
- THE DIMENSION OF * IS APPLIED TO TERMINAL ④ AND ②③
- PIN FLATNESS BETWEEN OF ②③ IS MAX 0.1mm

주 기

- 가능상 유해한 BURR 및 WELDLINE 등이 없을 것.
- 적용 HOUSING : MG654922(삽발력 7.6kgf) MG655709(삽발력 7.6kgf)
- 제품내 함유된 6대 유해물질 (납, 수은, 카드뮴, 6가크롬, PBBs, PBDEs)은 EU ELV 지침 및 RoHS 법규에서 지정한 최대 허용 농도를 초과해서는 안된다.
- *의 치수는 ④와 ②③ 단자에 적용한다.
- ②③ Pin간 평탄도는 MAX 0.1mm

부품 구성표

ASSY NO.	PART NAME	TM'L 도금사양		포장사양
		표면 처리	Reflow 처리	
MG645055-5	025 32M PCB ASSY(SMD)	광택	X	PS TRAY+종이 BOX
△ MG645055-5C				TUBE+단프라 BOX
△ MG645055-5T				TUBE+종이 BOX
△ MG645055-5F		무광택	O	PS TRAY+종이 BOX
△ MG645055-5CF				TUBE+단프라 BOX
△ MG645055-5TF				TUBE+종이 BOX



ISSUE MARK

ECO-1411-095	근거 도면 재작성	JYK	YSW	BIN	'14.12.05	MATERIAL	SEE TABLE	KOREA ELECTRIC TERMINAL CO., LTD. ENGINEERED			
ECO-1308-020	근거 도면 재작성 (신규 품번 생성, FEMALE NO. 추가)	LJY			'13.08.06	FINISH	SEE TABLE				
ECO-1306-081	근거 도면 재작성 (포장 사양 추가에 따른 품번 생성)	LJY			'13.06.17	WIRE RANGE	CLASS	025			
ECO-1304-033	근거 도면 재작성	LJY			'13.04.05	INSULATION	TYPE				
ECO-1110-012	근거 도면 재작성	LTG			'11.10.06						
LTR	REVISION RECORD	DR.	CHK.	APP.	DATE	TOLERANCE EXCEPT AS NOTED	SEE TABLE	SCALE	1/1	PART NO.	△SEE TABLE
DR.	CYJ	2010.06.01	CHK.	HEM	2010.06.01	PART NAME	025 32M PCB CONNECTOR (SMD)				
CHK.			APP.	HSH	2010.06.01						

ECO-1506-041	근거 도면 재작성	PYP	YSW	SUK	'15.06.05
--------------	-----------	-----	-----	-----	-----------