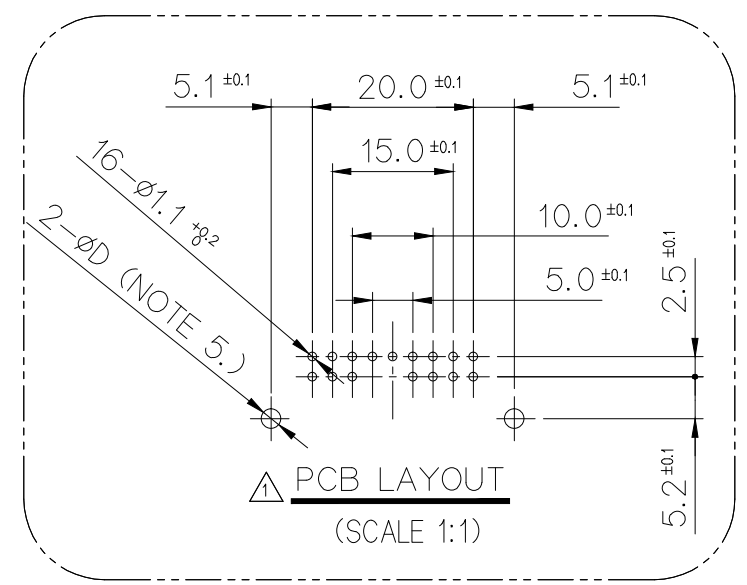
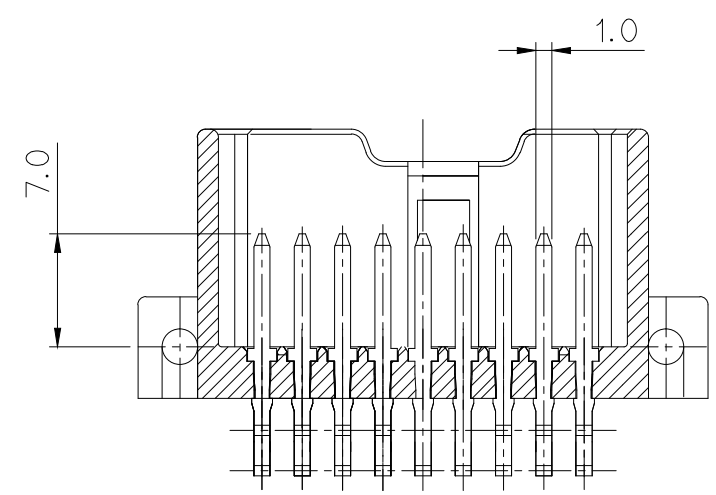
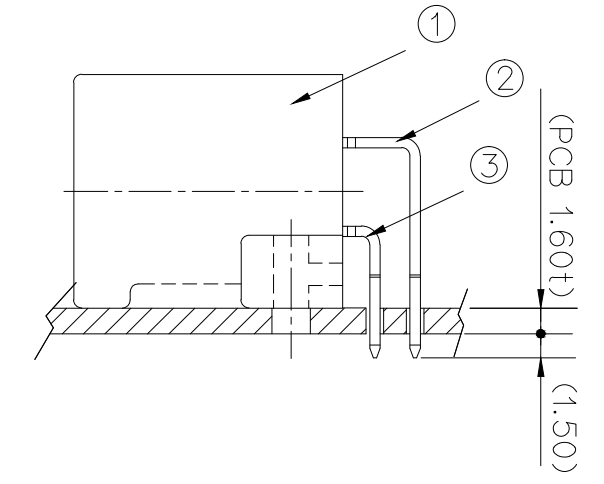
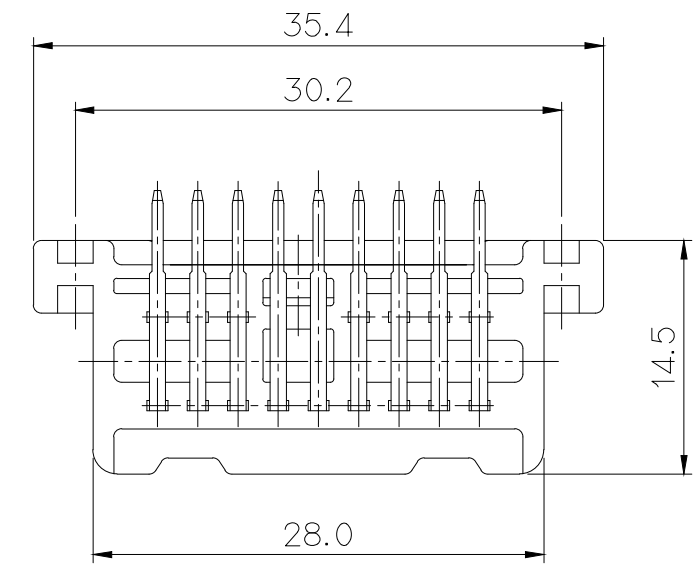
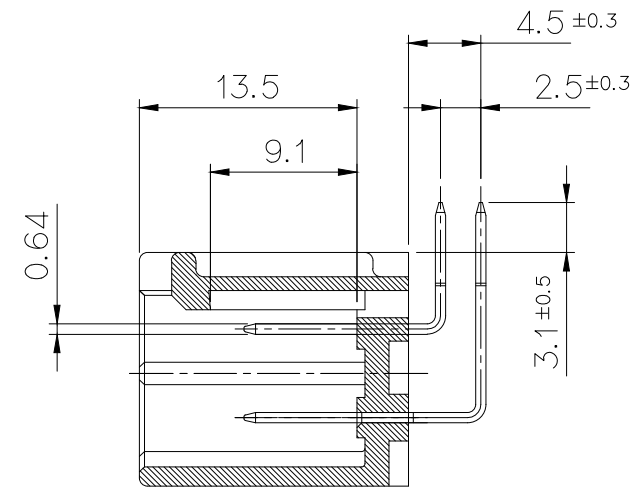
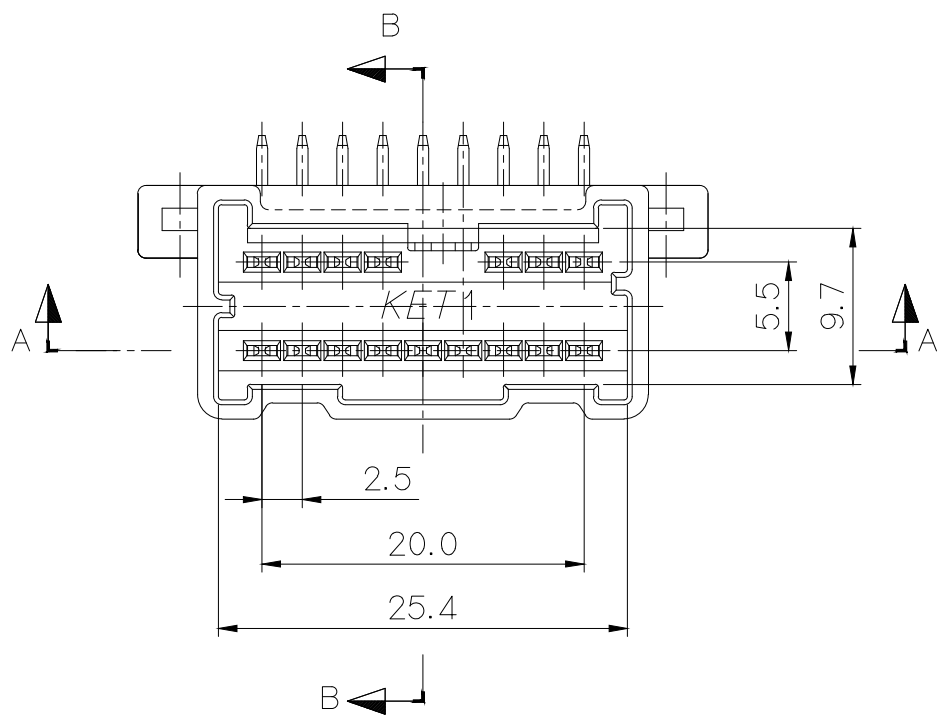
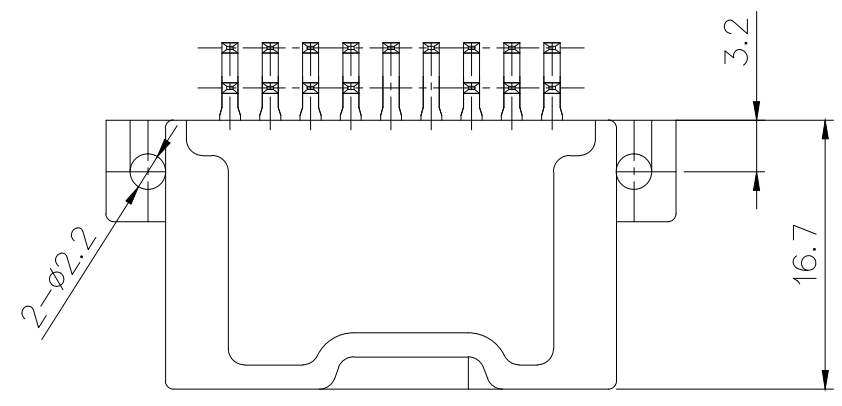


GENERAL TOLERANCE (TERMINAL)								GENERAL TOLERANCE (HOUSING)							USED ON
1 MAX	5 MAX	10 MAX	20 MAX	45 MAX	45 VR	ANGLE	ECCENT	10 MAX	50 MAX	100 MAX	250 MAX	250 VR	ANGLE	ECCENT	
±0.1	±0.15	±0.2	±0.25	±0.3	±0.5	±30'	0.1	±0.2	±0.3	±0.55	±0.95	±1.4	±30'	0.1	



NO.	PART NAME	MATERIAL	FINISH	Q'TY
①	040III 16M PCB HOUSING (HZT)	PBT	NATURAL	1EA
②	040III PCB TAB TERMINAL (L)	BRASS	PRE-TIN	9EA
③	040III PCB TAB TERMINAL (S)		PRE-TIN	7EA

- NOTE**
- 기능상 유해한 BURR 등 변형이 없을것.
 - 적용 PLUG HOUSING : MG653019
 - 적용 BOLT : M2.5~M3 일반나사
 - SCREW HOLE 직경 : $\phi D = \text{적용 SCREW} + 0.5$
- NOTE**
- MUST BE FREE OF FLASH, SINK AND IMPERFECTION THAT AFFECT FUNCTION.
 - MATING PLUG HOUSING : MG653019
 - APPLICABLE MOUNTING SCREW : M2.5~M3 SCREW
 - SCREW HOLE DIAMETER : $\phi D = \text{APPLICABLE MOUNTING SCREW} + 0.5$

APPROVED

2018-12-07

**KOREA ELECTRIC
TERMINAL CO., LTD.
Connector Development Team 3**

ISSUE MARK

		MATERIAL		SEE TABLE			KOREA ELECTRIC		
		FINISH		SEE TABLE			TERMINAL CO., LTD.		
		WIRE RANGE			CLASS		040III		
		INSULATION			TYPE				
△	ECO-1503-499	큰거	도면	재	작성	JY.K	YSW	BIN	'15.03.24
LTR	REVISION RECORD			DR.	CHK.	APP.	DATE	TOLERANCE EXCEPT AS NOTED	
DR.	KJK	'10.04.27	CHK.						
CHK.	HEM	'10.04.27	APP.	HSH	'10.04.27	SCALE		2/1	
							PART NAME		040III 16M PCB ASSY (HZT)
							PART NO.		MG644937