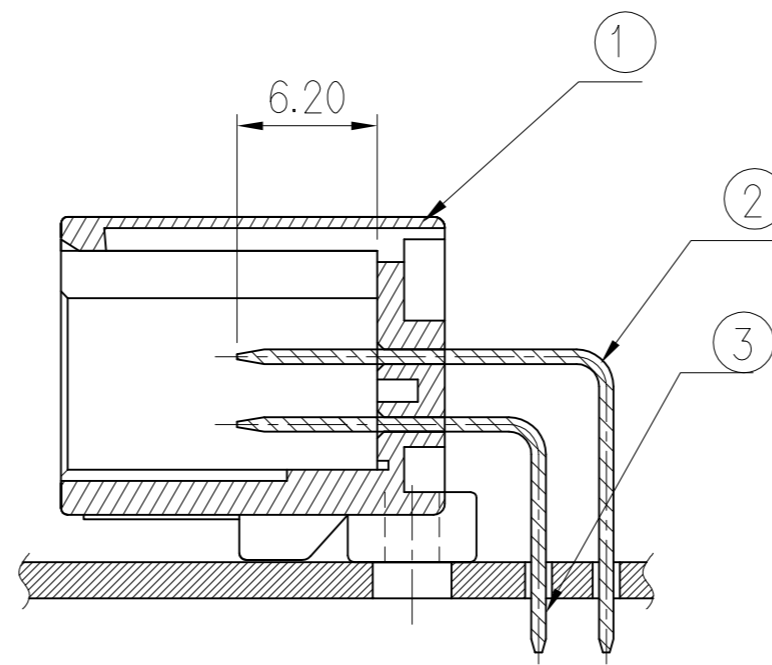
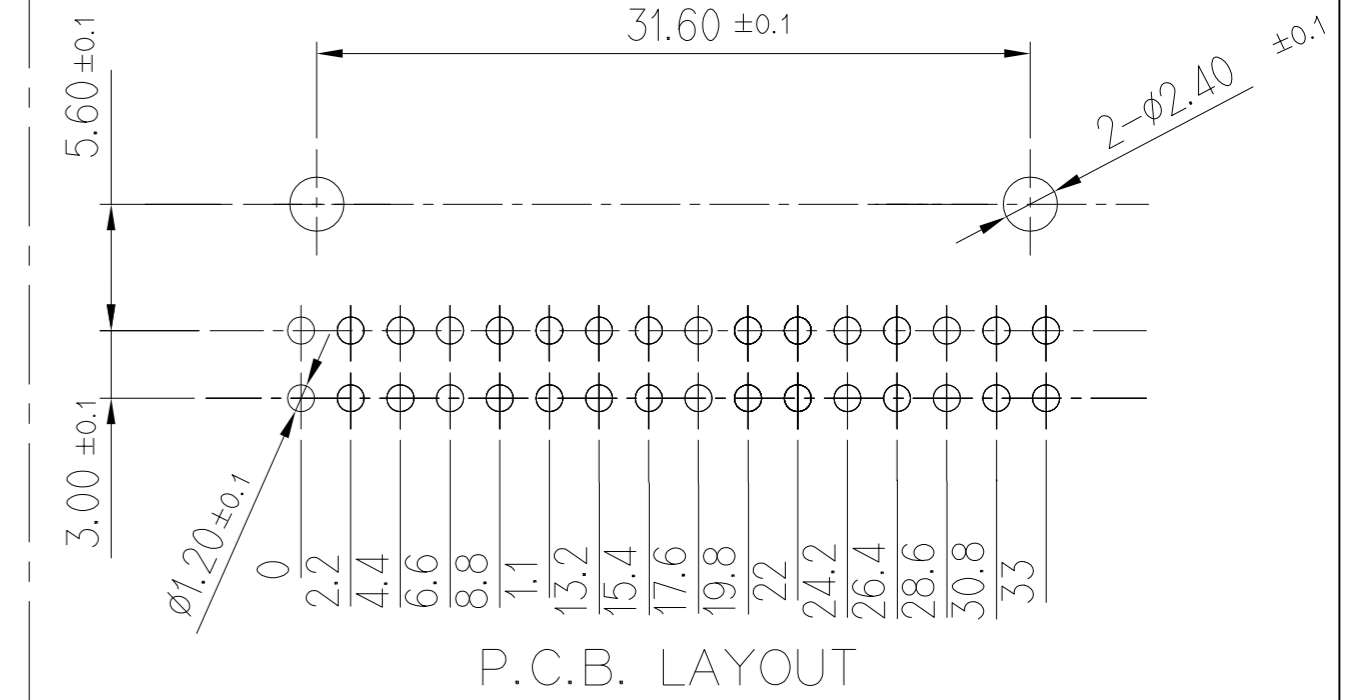


NO.	PART NAME	PART NO	MATERIAL	FINISH	Q'TY
①	025 32M PCB HS'G (HZT)	MG674921	SEE TABLE	SEE TABLE	1
②	025 TAB TERMINAL (L)	ST791224-3	BRASS	PRE-TIN	16
③	025 TAB TERMINAL (S)	ST791225-3	BRASS	PRE-TIN	16

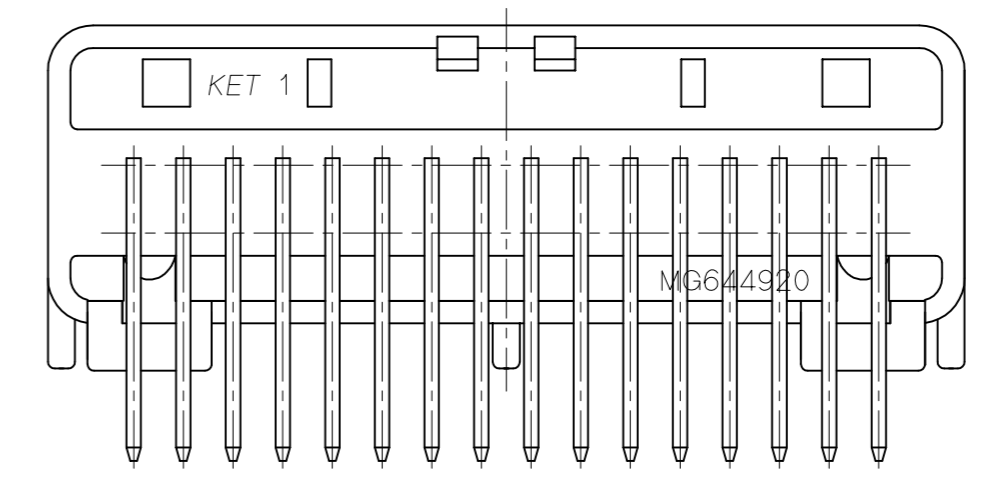
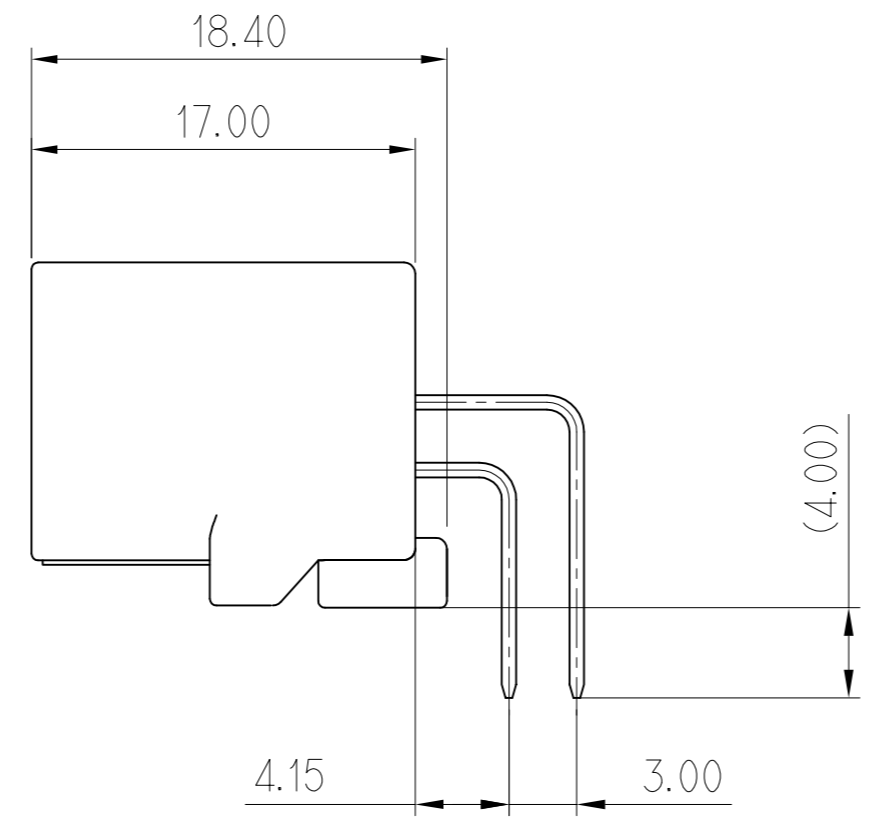
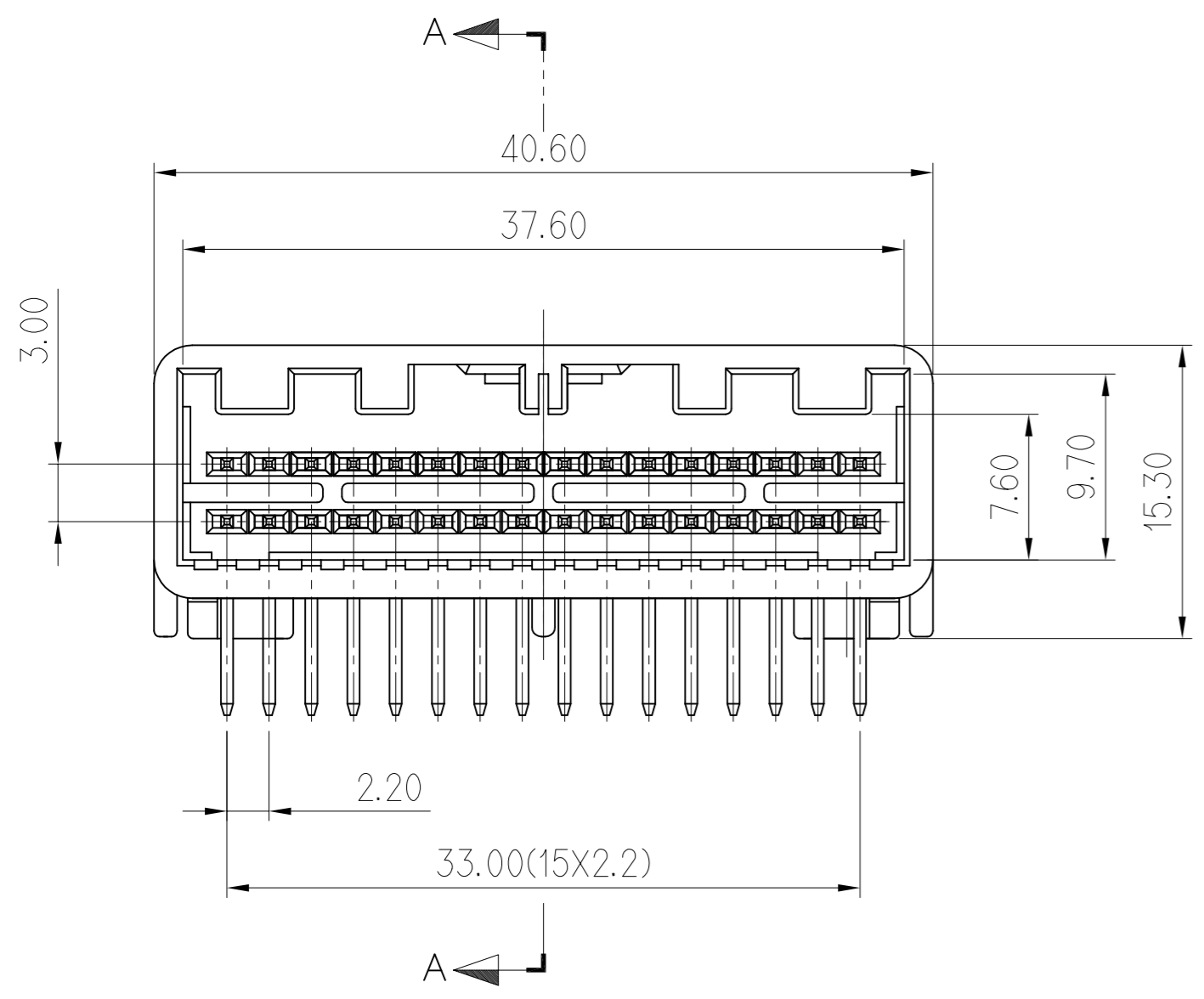


SECTION A-A

GENERAL TOLERANCE (HOUSING)							USED ON
10MAX	50MAX	100MAX	250MAX	250VR	ANGLE	ECCENT	
±0.2	±0.3	±0.55	±0.95	±1.4	±30'	0.1	



P.C.B. LAYOUT
(GENERAL TOLERANCE : ±0.1)



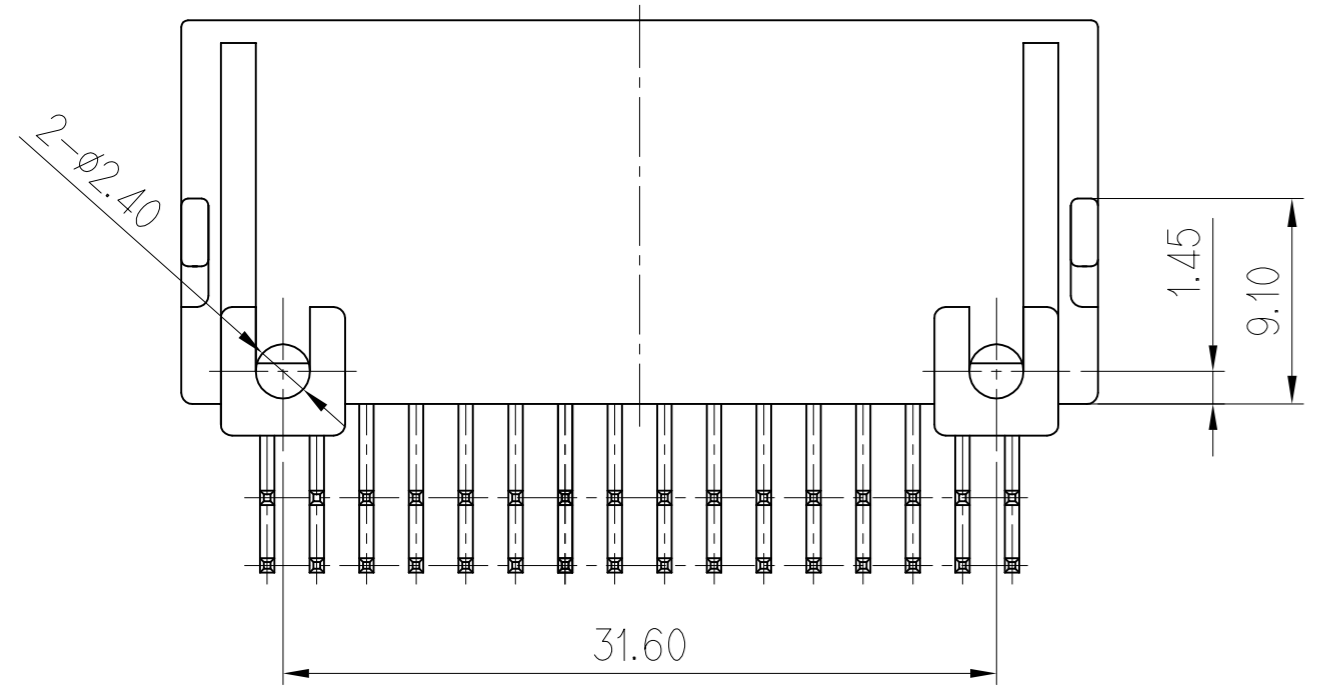
NO.	MATERIAL	COLOR
* 0	P B T: PBT+GF10%	NATURAL
1		RED
2		BLUE
* 3		YELLOW
4		GRAY
40		DARK GRAY
41		LIGHT GRAY
5		BLACK
6		DARK GREEN
7		BROWN
8		LIGHT GREEN
9	MAGENTA	
11	ORANGE	

NOTE

- MUST BE FREE OF BURR, WELDLINE AND IMPERFECTION THAT AFFECT FUNCTION.
- APPLICABLE HOUSING : MG654922
- APPLICABLE MOUNTING SCREW : M3 SCREW
- 6 HAZARDOUS SUBSTANCES IN PARTS (LEAD, MERCURY, CADMIUM, HEXAVALENT CHROMIUM, PPBs, PPDEs) SHALL NOT EXCEED THE MAXIMUM PERMISSIBLE CONCENTRATION PRESCRIBED UNDER EU ELV DIRECTIVE & RoHS REGULATION.

주 기

- 기능상 유해한 BURR 및 WELDLINE 등이 없을 것.
- 적용 HOUSING : MG654922
- 적용 BOLT : M3 일반나사
- 제품내 함유된 6대 유해물질 (납,수은,카드뮴, 6가크롬, PBBs, PBDEs)은 EU ELV 지침 및 RoHS 법규에서 지정한 최대 허용 농도를 초과해서는 안된다.



ISSUE MARK

MATERIAL	SEE TABLE	KET KOREA ELECTRIC TERMINAL CO., LTD.						
FINISH	SEE TABLE							
WIRE RANGE	CLASS 025							
INSULATION	TYPE							
LTR	REVISION RECORD	DR.	CHK.	APP.	DATE	TOLERANCE EXCEPT AS NOTED	SCALE	PART NO.
DR.	CYJ	2010.12.15	CHK.			SEE TABLE	2/1	MG644920
CHK.			APP.			PART NAME	025 32M PCB ASSY (HZT)	