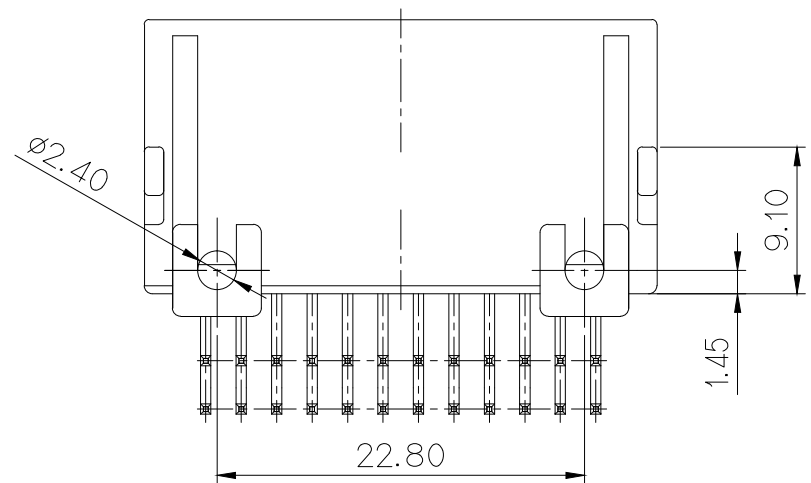
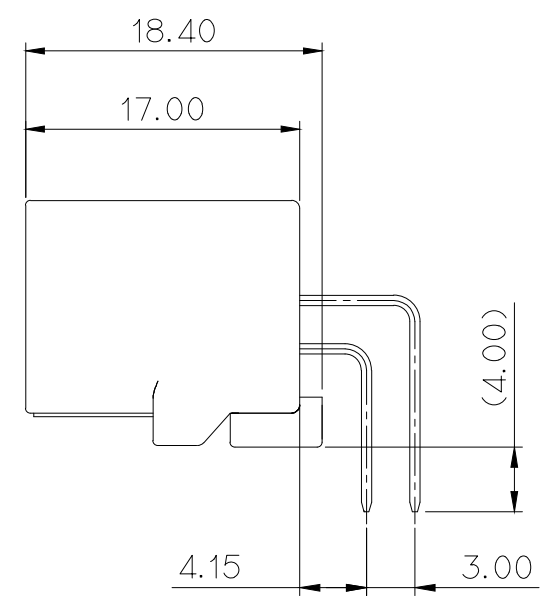
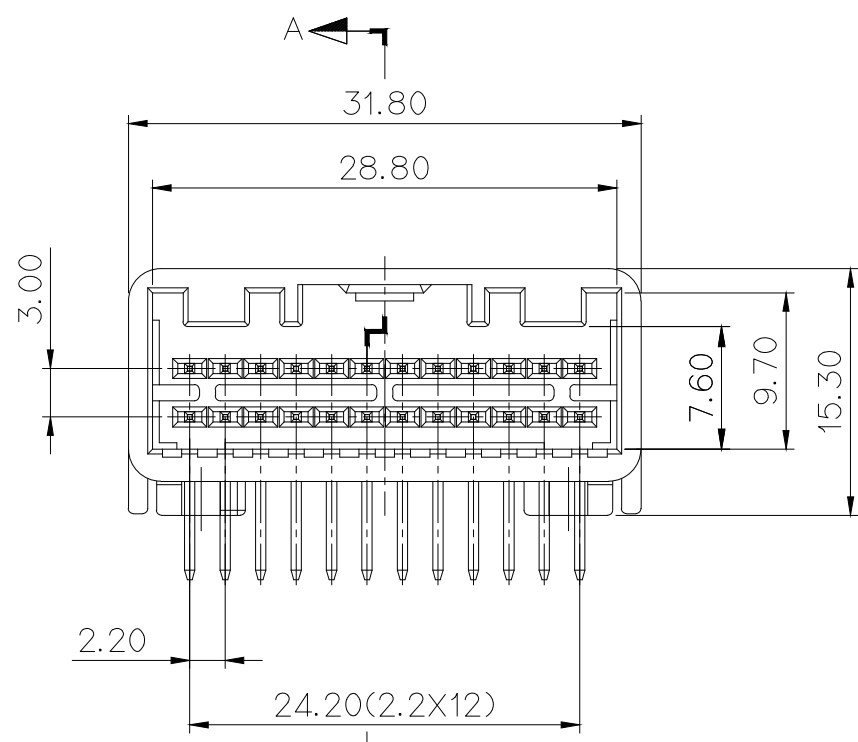
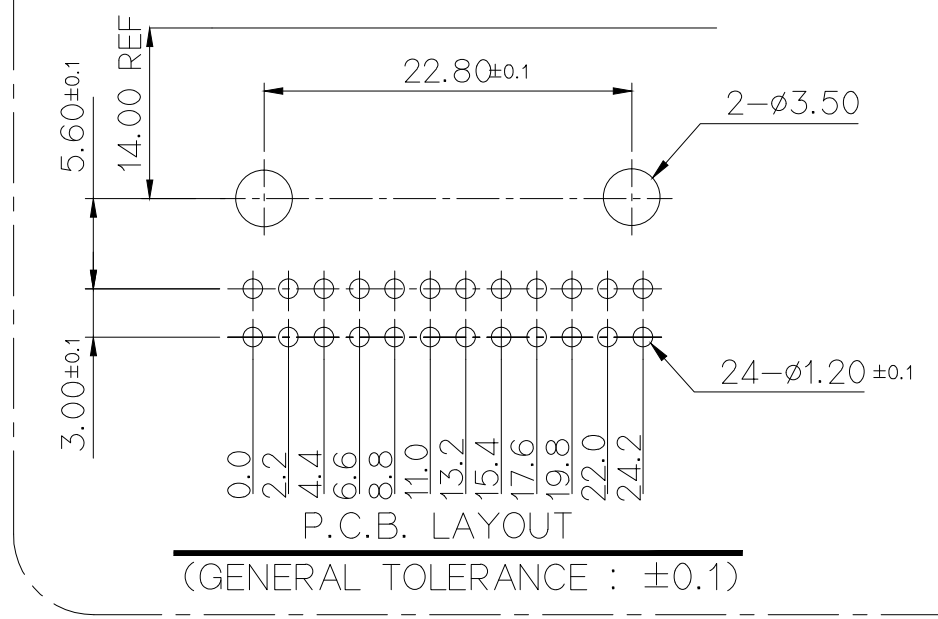


SECTION A-A



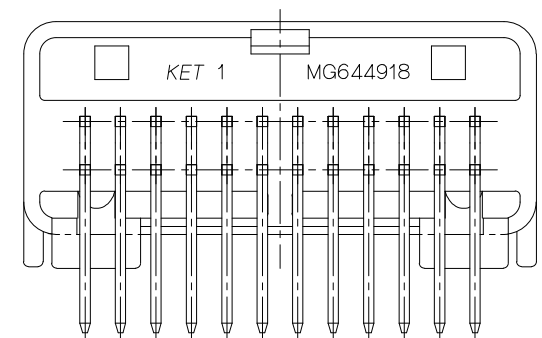
GENERAL TOLERANCE (HOUSING)							USED ON
10MAX	50MAX	100MAX	250MAX	250VR	ANGLE	ECCENT	
±0.2	±0.3	±0.55	±0.95	±1.4	±30'	0.1	

NO.	MATERIAL	COLOR
* 0	P B T:	NATURAL
1		RED
* 2	PBT+GF10%	BLUE
3		YELLOW
4		GRAY
40		DARK GRAY
41		LIGHT GRAY
5		BLACK
6		DARK GREEN
7		BROWN
8		LIGHT GREEN
9		MAGENTA
11		ORANGE



NOTE

- MUST BE FREE OF BURR, WELDLINE AND IMPERFECTION THAT AFFECT FUNCTION.
- APPLICABLE HOUSING : MG654102, MG655761△
- APPLICABLE MOUNTING SCREW : M3 SCREW
- ST791224-2S, ST791225-2S TIN-PLATED TERMINAL TYPE A Sn(MATTE), (MS915-01) Ni-PLATED UNDER + Sn(MATTE) + Reflow
- 6 HAZARDOUS SUBSTANCES IN PARTS (LEAD, MERCURY, CADMIUM, HEXAVALENT CHROMIUM, PBBs, PPDEs) SHALL NOT EXCEED THE MAXIMUM PERMISSIBLE CONCENTRATION PRESCRIBED UNDER EU ELV DIRECTIVE & RoHS REGULATION.



NO.	ASSY NO.	구성품 내역					
		NO.	PART NAME	PART NO.	MATERIAL	FINISH	QTY.
1	MG644918	①	025 24M PCB HS'G (HZT)	MG674919	SEE TABLE	SEE TABLE	1
		②	025 TAB TERMINAL (L)	ST791224-3	BRASS	PRE-TIN	12
		③	025 TAB TERMINAL (S)	ST791225-3	BRASS	PRE-TIN	12
△ 2	MG644918-F	①	025 24M PCB HS'G (HZT)	MG674919	SEE TABLE	SEE TABLE	1
		②	025 TAB TERMINAL (L)	ST791224-2S	BRASS	Sn 후도금-무광 (Reflow)	12
		③	025 TAB TERMINAL (S)	ST791225-2S	BRASS	Sn 후도금-무광 (Reflow)	12

APPROVED

2021-10-18

KOREA ELECTRIC
TERMINAL CO., LTD.
Korea Electric Terminal Co., LTD.

ISSUE MARK

주 기

- 기능상 유해한 BURR 및 WELDLINE등이 없을 것.
- 적용 HOUSING : MG654102, MG655761△
- 적용 BOLT : M3 일반나사
- ST791224-2S, ST791225-2S 단자 주석 도금 TYPE A Sn(무광택), (MS915-01) Ni 하지 도금 + Sn(무광) + Reflow
- 제품내 함유된 6대 유해물질 (납,수은,카드뮴,6가크롬, PBBs,PPDEs)은 EU ELV 지침 및 RoHS 법규에서 지정한 최대 허용 농도를 초과해서는 안된다.

MATERIAL	SEE TABLE		KOREA ELECTRIC TERMINAL CO., LTD.
FINISH	SEE TABLE		CLASS
WIRE RANGE		INSULATION	TYPE
ECO-2101-030 큰거 도면 재 작성	LWJ NKT SSH '21.01.05	TOLERANCE EXCEPT AS NOTED	SCALE 2/1
ECO-1501-055 큰거 도면 재 작성	JY.K WSW BIN '15.01.09	PART NO.	MG644918 △ MG644918-F
LTR REVISION RECORD	DR. H.E.M '09.07.14 CHK. HSH '09.07.14	PART NAME	025 24M PCB ASSY (HZT)
CHK.	APP. KKJ '09.07.14		