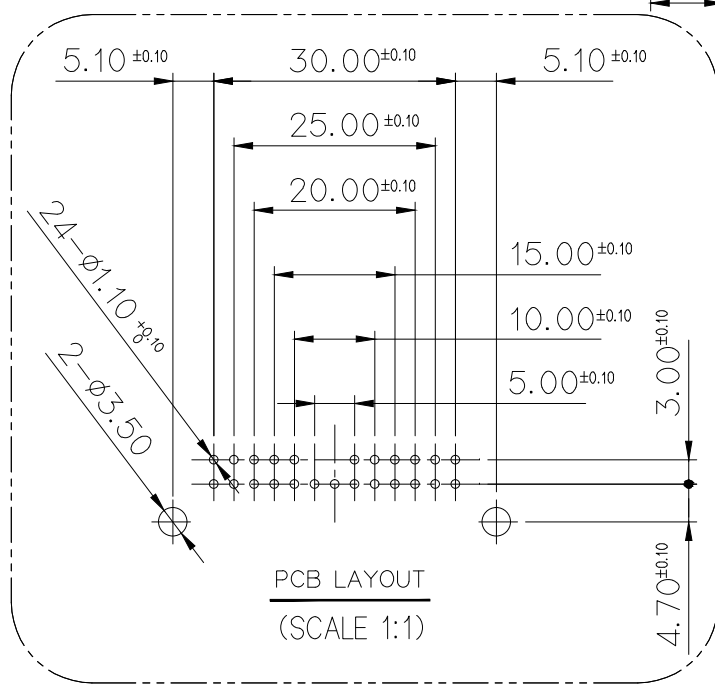
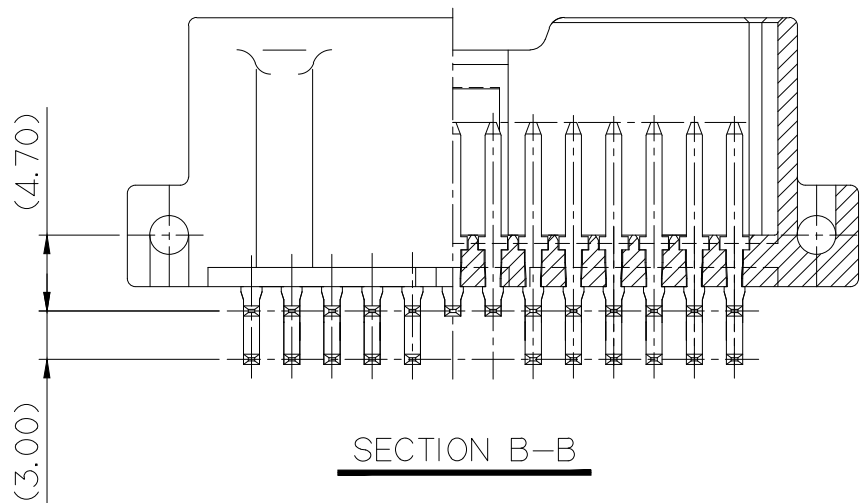
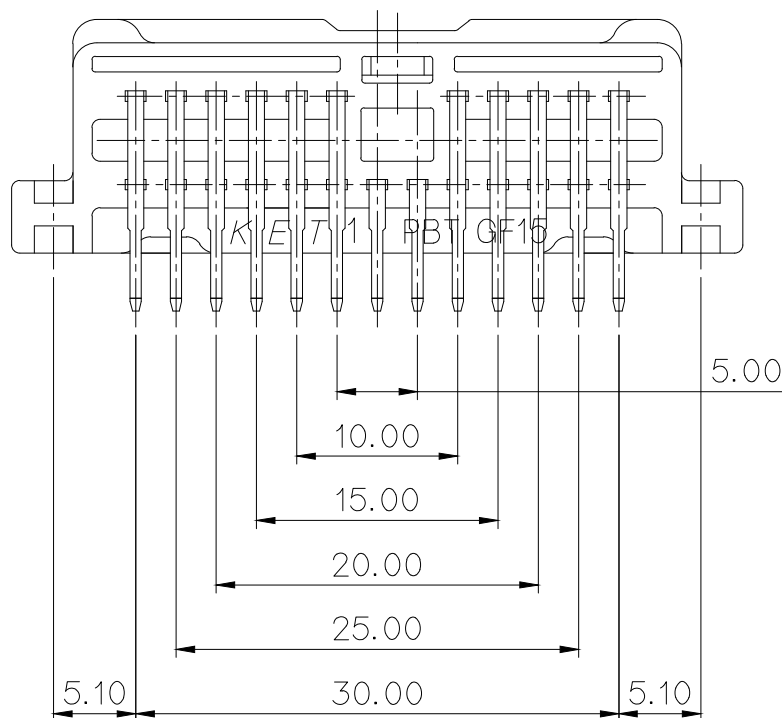
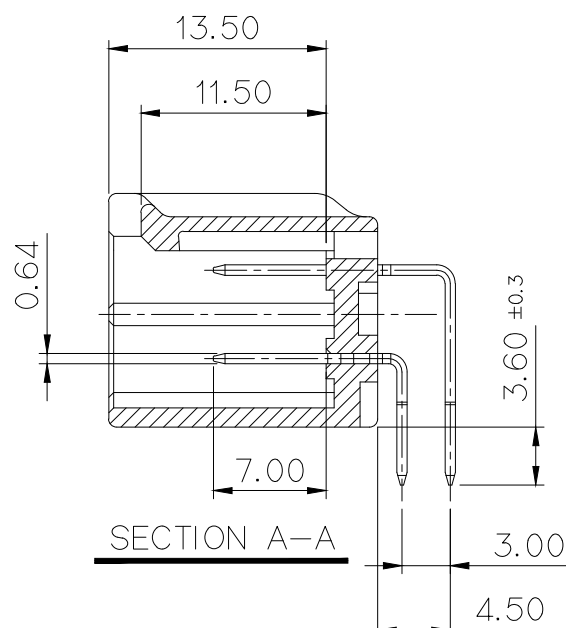
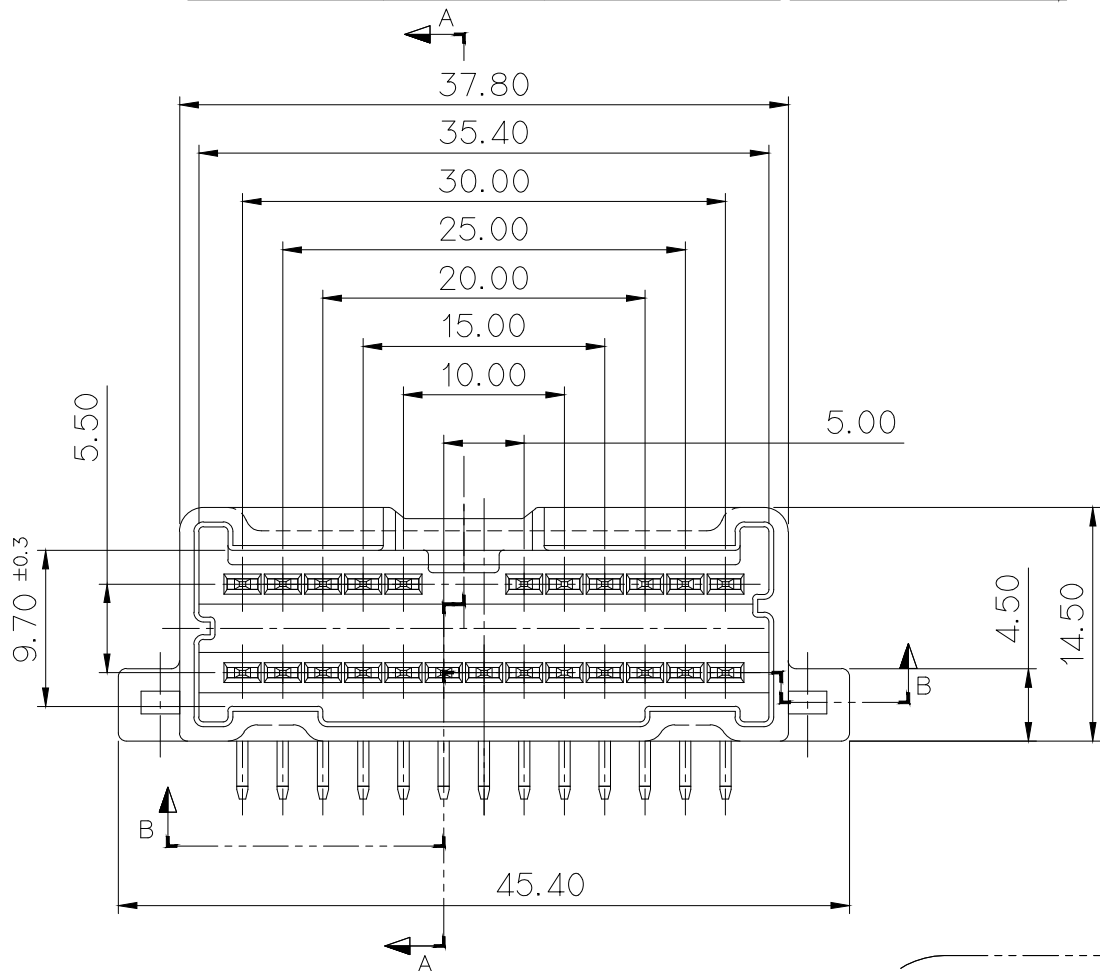
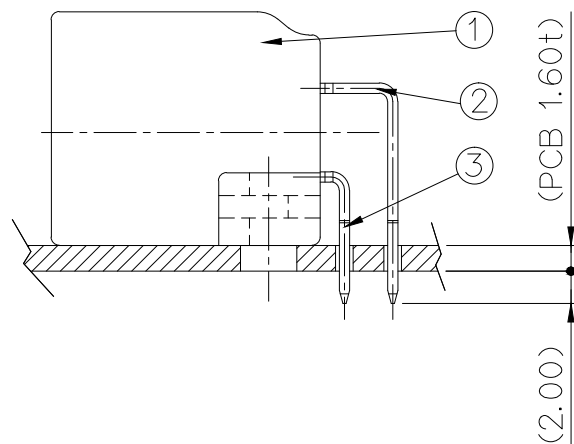
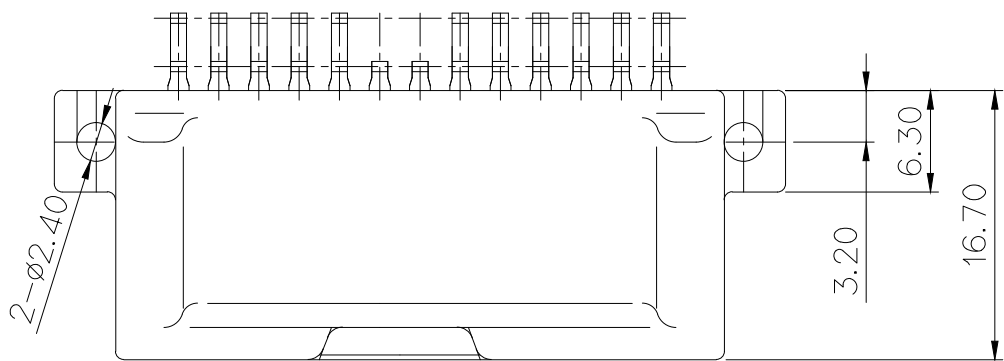


NO.	PART NAME	PART NO	MATERIAL	FINISH	Q'TY
①	040III PCB 24P REC' HS'G (HZT)	MG674840	PBT GF15	NATURAL	1EA
②	040III PCB TAB TERMINAL (L)	ST791743	BRASS	PRE-TIN	11EA
③	040III PCB TAB TERMINAL (SS)	ST792036		PRE-TIN	13EA

GENERAL TOLERANCE (TERMINAL)					GENERAL TOLERANCE (HOUSING)							USED ON
10 MAX	20 MAX	45 MAX	ANGLE	ECCENT	10 MAX	50 MAX	100 MAX	250 MAX	250 VR	ANGLE	ECCENT	
±0.2	±0.25	±0.3	±30'	0.1	±0.2	±0.3	±0.55	±0.95	±1.4	±30'	0.1	



주 기

- 1.지시하지 않은 반경 R은 0.5로 한다
- 2.기능상 유해한 BURR 및 WELDLINE등이 없을 것.
- 3.적용 HOUSING : MG653033
- 4.적용 MOUNTING SCREW : M3 SCREW
- 5.제품내 함유된 6대 유해물질 (납, 수은, 카드뮴, 6가 크롬, PBBs, PBDEs)은 EU ELV 지침 및 RoHS 법규에서 지정한 최대 허용 농도를 초과해서는 안된다.

NOTE

1. UNLESS OTHERWISE SPECIFIED ALL RADII TO BE 0.5 RADIOUS
2. MUST BE FREE OF FLASH, SINK AND IMPERFECTION THAT AFFECT FUNCTION.
3. MATING PLUG HOUSING : MG653033
4. APPLICABLE MOUNTING SCREW : M3 SCREW
5. 6 HAZARDOUS SUBSTANCES IN PARTS (LEAD MERCURY, CADMIUM,HEXAVALENT CHROMIUM, PPBs,PPDEs) SHALL NOT EXCEED THE MAXIMUM PERMISSIBLE CONCENTRATION PRESCRIBED UNDER EU ELV DIRECTIVE & RoHS REGULATION.

APPROVED

2018-12-07

KOREA ELECTRIC
TERMINAL CO., LTD.
Korea Electric Te
rminal Co., LTD.

ISSUE MARK

MATERIAL	SEE TABLE	KET KOREA ELECTRIC ENGINEERED TERMINAL CO., LTD.
FINISH	SEE TABLE	
WIRE RANGE		CLASS 040III
INSULATION		TYPE
LTR	REVISION RECORD	DR. CHK. APP. DATE
DR.	CYJ. 10.04.09	CHK.
CHK.		APP.
TOLERANCE EXCEPT AS NOTED	SEE TABLE	SCALE 2/1
PART NAME	040III 24M PCB ASSY (HZT)	
		PART NO. MG644839