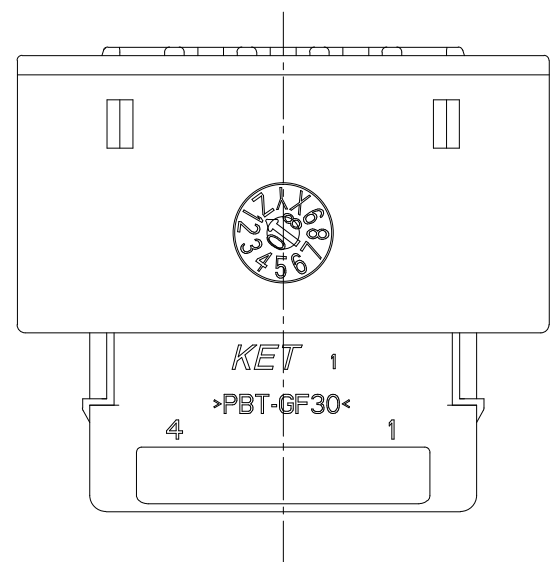
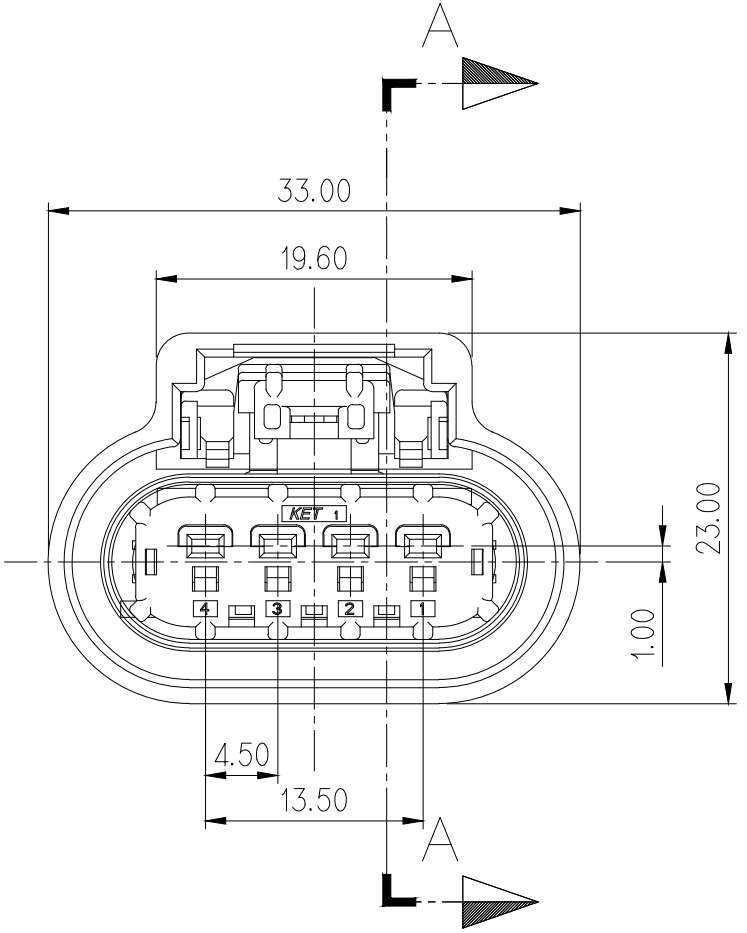
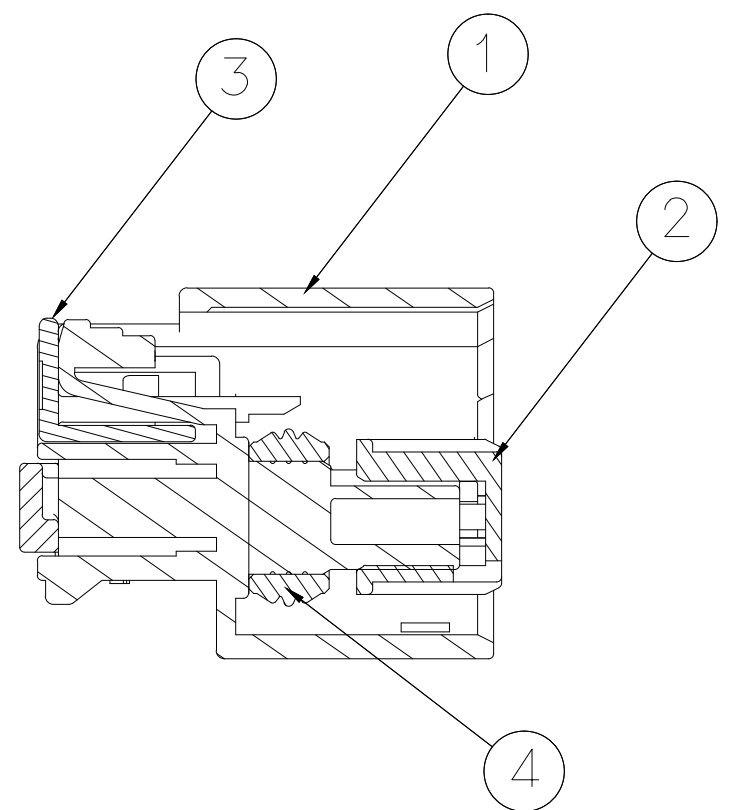
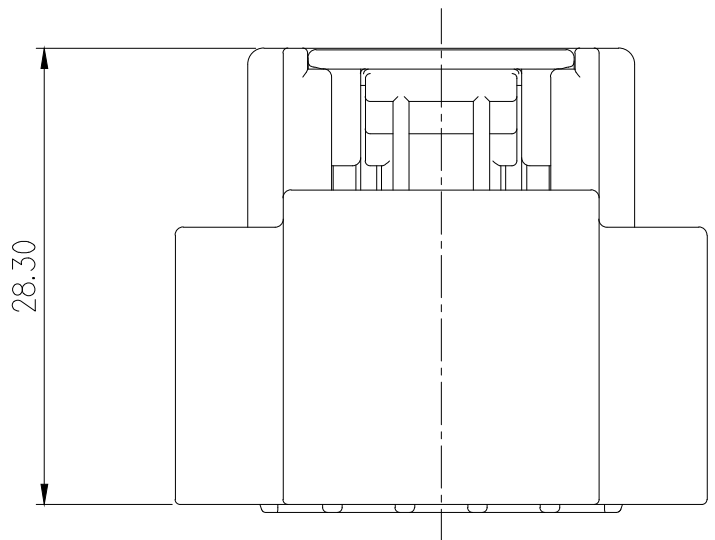


ISO VIEW

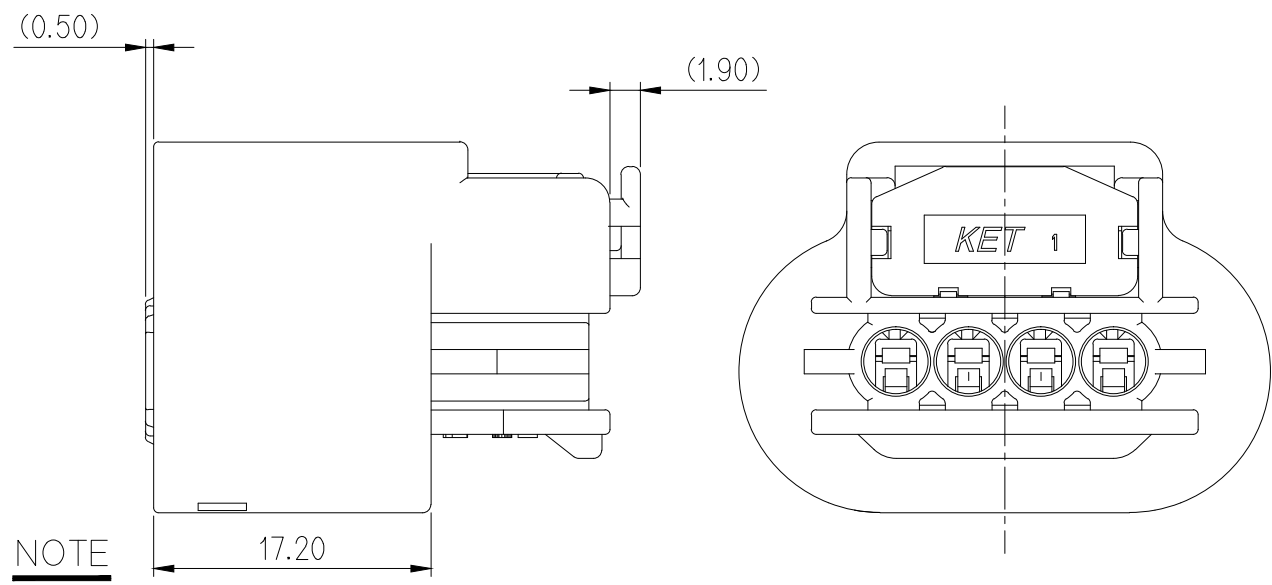


GENERAL TOLERANCE (HOUSING)								USED ON
	10 MAX	50 MAX	100 MAX	250 MAX	250 VR	ANGLE	ECCENT	
Ⓐ	±0.15	±0.2	±0.3	±0.5	±0.75	±30'	0.1	
B	±0.2	±0.3	±0.55	±0.95	±1.4	±30'	0.1	
C	±0.3	±0.5	±0.8	±1.4	±2.0	±30'	0.15	

NO.	PART NAME	PART NO.	MATERIAL	FINISH	QY'Y	REMARKS
1	150 WP 4F HOUSING	MG674171-5	PBT G/F 30%	BLACK	1	
2	150 WP 4F TPA	MG674172-7	PBT G/F 15%	BROWN	1	
3	150 WP CPA	MG673916-1	PBT G/F 10%	RED	1	
4	150 WP 4F INNER SEAL	R602172-6	SILICONE	GREEN	1	

TPA MUST BE IN PRE-STAGED POSITION

CPA MUST BE IN PRE-STAGED POSITION



NOTE

- MUST BE FREE OF FLASH, SINK AND IMPERFECTION THAT AFFECT FUNCTION.
- APPLICABLE TERMINAL : DELPHI 12191818
DELPHI 12191819
- APPLICABLE REAR HOLDER : MG634547-2
- 6 HAZARDOUS SUBSTANCES IN PARTS (LEAD, MERCURY, CADMIUM, HEXAVALENT CHROMIUM, PBBs, PBDEs) SHALL NOT EXCEED THE MAXIMUM PERMISSIBLE CONCENTRATION PRESCRIBED UNDER EU ELV DIRECTIVE & RoHS REGULATION.

- 주 기
- 기능상 유해한 BURR 및 WELDLINE 등이 없을것.
 - 적용 TERMINAL : DELPHI 12191818
DELPHI 12191819
 - 적용 REAR HOLDER : MG634547-2
 - 제품내 함유된 6대 유해물질 (납, 수은, 카드뮴, 6가크롬, PBBs, PBDEs)은 EU ELV 지침 및 RoHS 법규에서 지정한 최대 허용 농도를 초과해서는 안된다.

APPROVED
2018-12-07
KOREA ELECTRIC
TERMINAL CO., LTD.
Product Development
Team 3

ISSUE MARK

					MATERIAL	SEE TABLE	KET KOREA ELECTRIC ENGINEERED TERMINAL CO., LTD.
					FINISH	SEE TABLE	
					WIRE RANGE	CLASS	150
					INSULATION	TYPE	
LTR	REVISION RECORD	DR.	CHK.	APP.	DATE	TOLERANCE EXCEPT AS NOTED	SCALE 2/1
DR.	CYJ	2011.10.25	CHK.			PART NO.	MG644170
CHK.			APP.			PART NAME	150 WP 4F ASSY