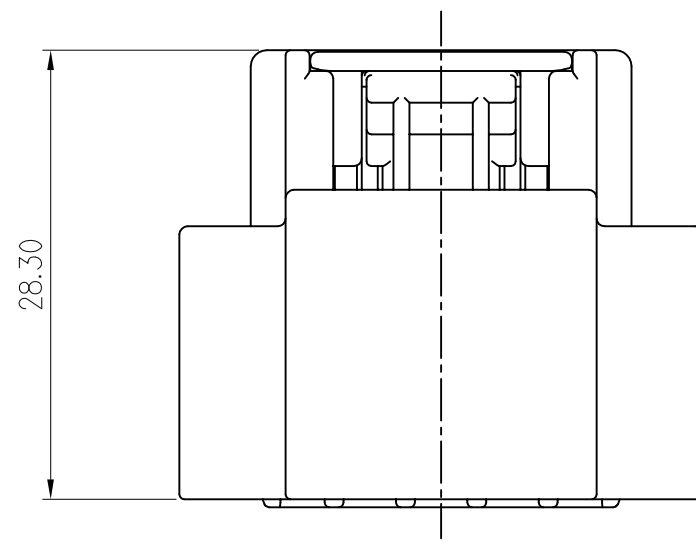
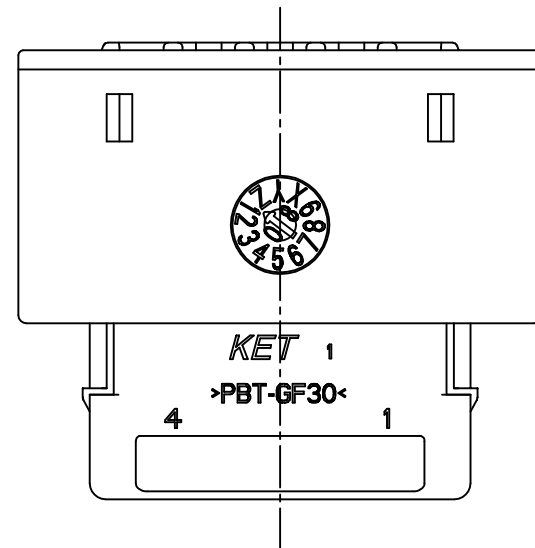
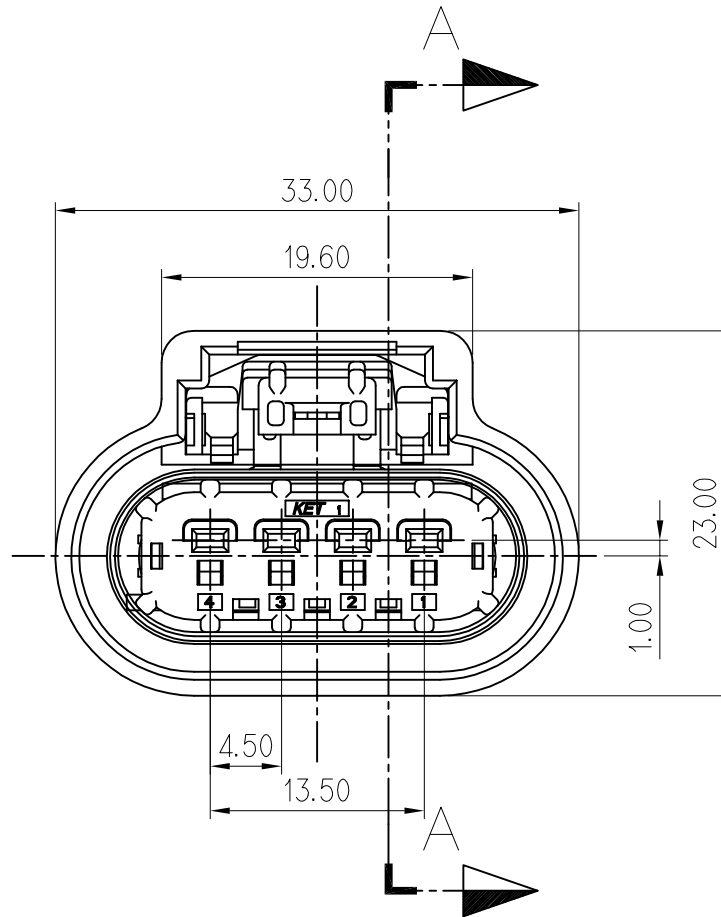
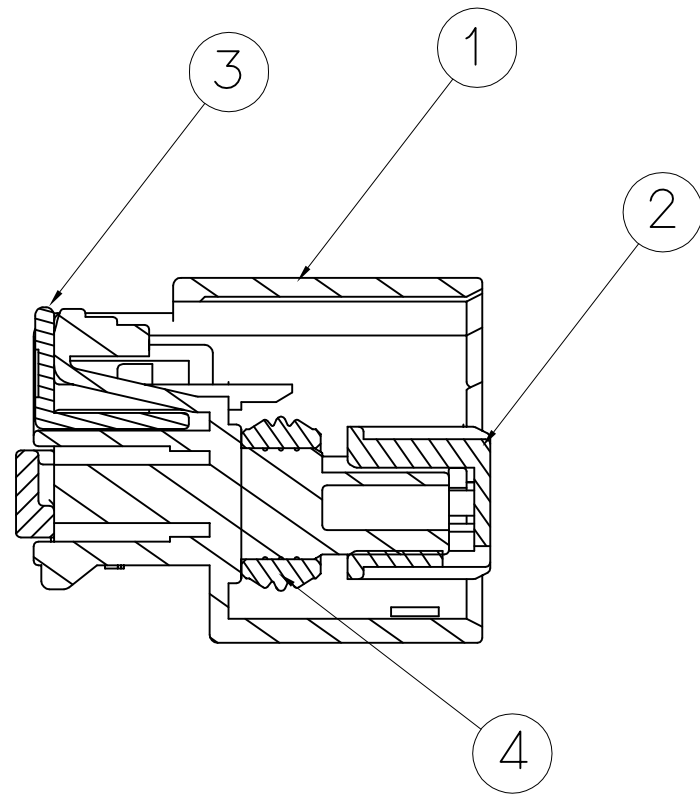


ISO VIEW



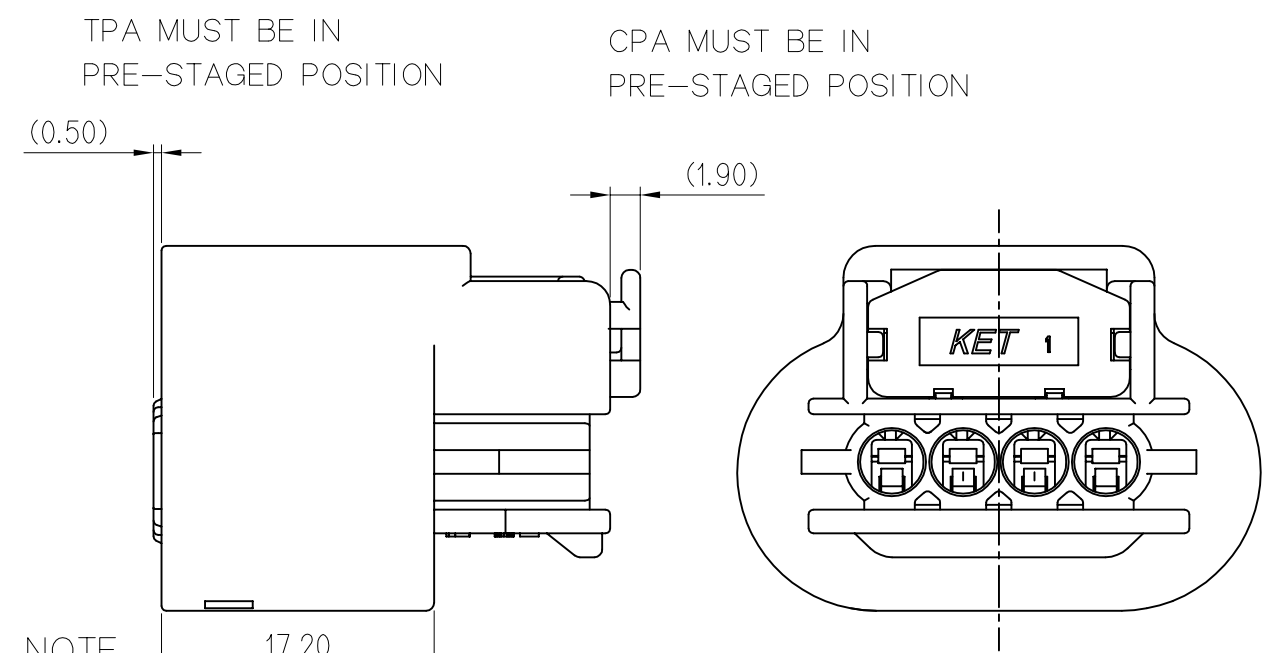
28.30



GENERAL TOLERANCE (HOUSING)							
	10 MAX	50 MAX	100 MAX	250 MAX	250 VR	ANGLE	ECCENT
Ⓐ	±0.15	±0.2	±0.3	±0.5	±0.75	±30'	0.1
B	±0.2	±0.3	±0.55	±0.95	±1.4	±30'	0.1
C	±0.3	±0.5	±0.8	±1.4	±2.0	±30'	0.15

USED ON

NO.	PART NAME	PART NO.	MATERIAL	FINISH	QY'Y	REMARKS
1	150 WP 4F HOUSING	MG674171-5	PBT G/F 30%	BLACK	1	
2	150 WP 4F TPA	MG674172-7	PBT G/F 15%	BROWN	1	
3	150 WP CPA	MG673916-1	PBT G/F 10%	RED	1	
4	150 WP 4F INNER SEAL	R602172-6	SILICONE	GREEN	1	



TPA MUST BE IN PRE-STAGED POSITION

CPA MUST BE IN PRE-STAGED POSITION

- NOTE**
- MUST BE FREE OF FLASH, SINK AND IMPERFECTION THAT AFFECT FUNCTION.
  - APPLICABLE TERMINAL : DELPHI 12191818  
DELPHI 12191819
  - APPLICABLE REAR HOLDER : MG634547-2
  - 6 HAZARDOUS SUBSTANCES IN PARTS (LEAD, MERCURY, CADMIUM, HEXAVALENT CHROMIUM, PBBs, PBDEs) SHALL NOT EXCEED THE MAXIMUM PERMISSIBLE CONCENTRATION PRESCRIBED UNDER EU ELV DIRECTIVE & RoHS REGULATION.

- 주 기**
- 기능상 유해한 BURR 및 WELDLINE 등이 없을것.
  - 적용 TERMINAL : DELPHI 12191818  
DELPHI 12191819
  - 적용 REAR HOLDER : MG634547-2
  - 제품내 함유된 6대 유해물질 (납,수은,카드뮴,6가크롬, PBBs, PBDEs)은 EU ELV 지침 및 RoHS 법규에서 지정한 최대 허용 농도를 초과해서는 안된다.

ISSUE MARK

				MATERIAL		SEE TABLE	<b>KET</b> KOREA ELECTRIC <b>ENGINEERED</b> TERMINAL CO., LTD.	
				FINISH		SEE TABLE		
				WIRE RANGE		CLASS	150	
				INSULATION		TYPE		
LTR	REVISION RECORD	DR.	CHK.	APP.	DATE	TOLERANCE EXCEPT AS NOTED	SCALE	PART NO.
DR.	CYJ	2011.10.25	CHK.			SEE TABLE	2/1	MG644170
CHK.			APP.			PART NAME		150 WP 4F ASSY