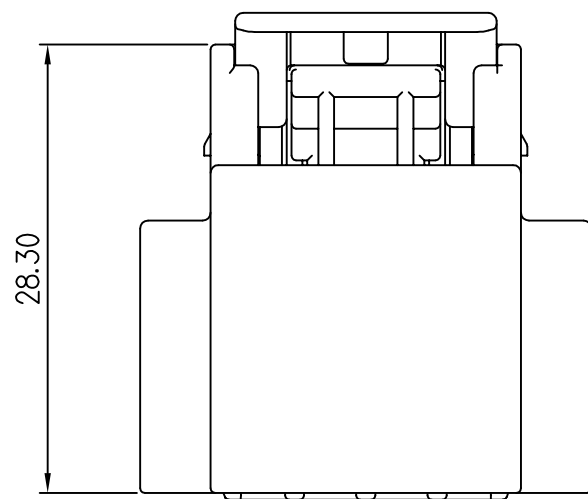
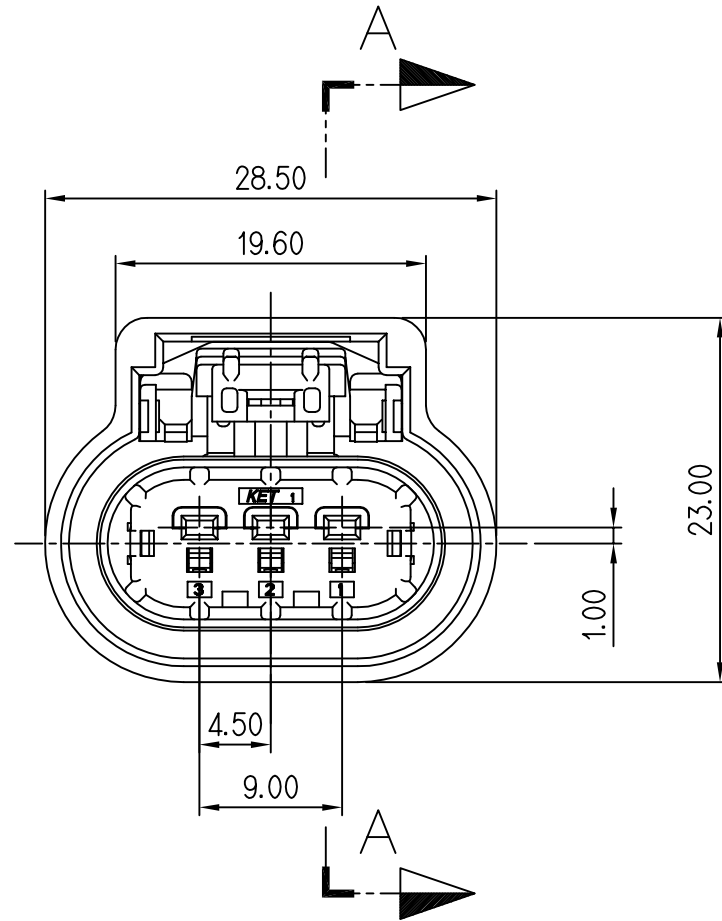
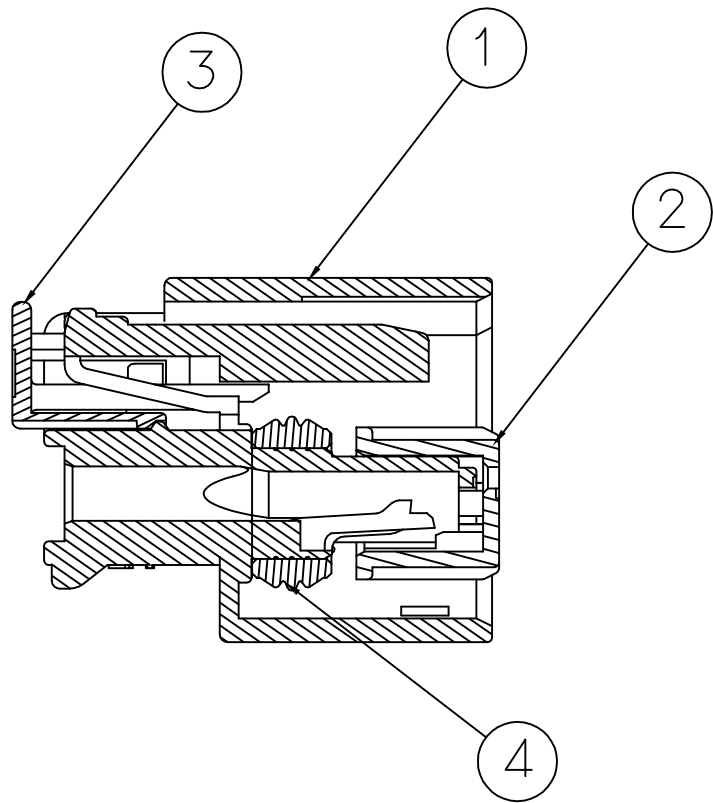


ISO VIEW



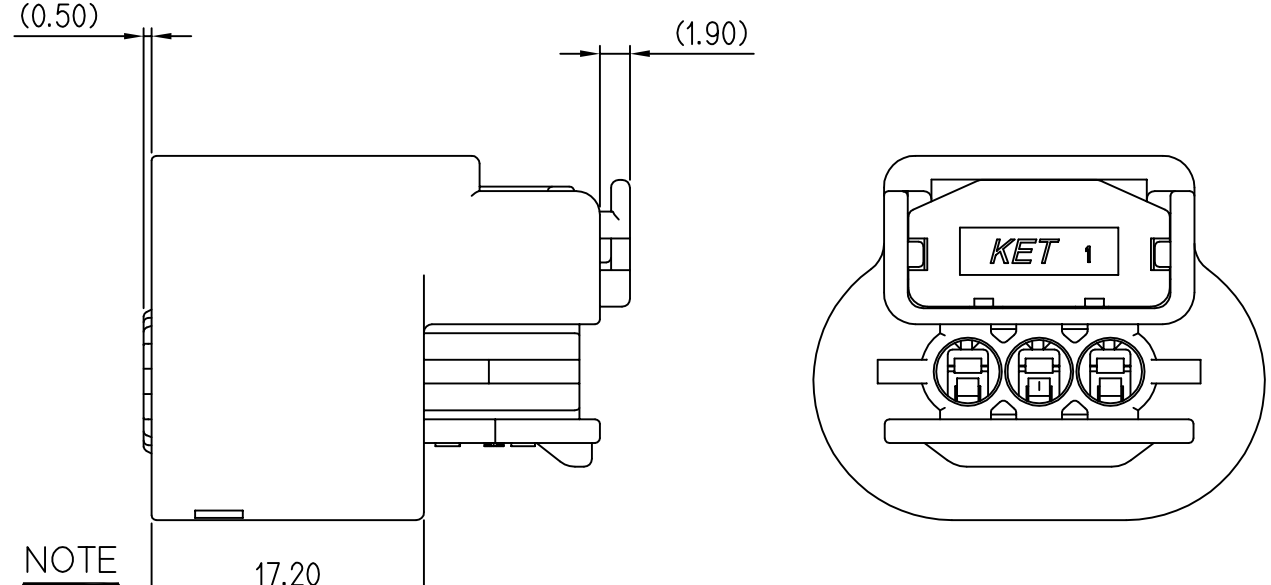
GENERAL TOLERANCE (HOUSING)							USED ON
10MAX	50MAX	100MAX	250MAX	250VR	ANGLE	ECCENT	
±0.2	±0.3	±0.55	±0.95	±1.4	±30'	0.1	

NO.	PART NAME	PART NO.	MATERIAL	FINISH	QY'Y	REMARKS
1	150 WP 3F HOUSING	MG674168-5	PBT	BLACK	1	
2	150 WP 3F TPA	MG674169-7	PBT	BROWN	1	
3	150 WP CPA	MG673916-1	PBT	RED	1	
4	150 WP 3F INNER SEAL	R602171-6	SILICONE	GREEN	1	



TPA MUST BE IN PRE-STAGED POSITION
(0.50)

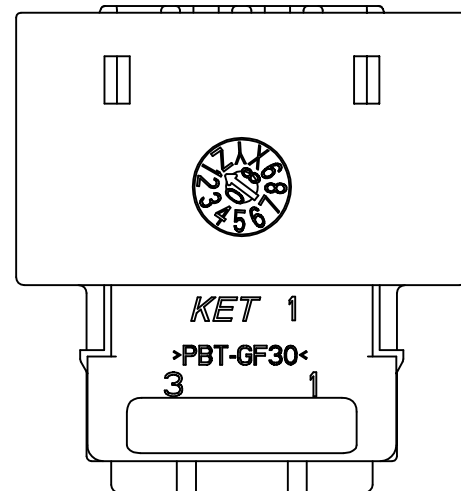
CPA MUST BE IN PRE-STAGED POSITION
(1.90)



- NOTE**
- MUST BE FREE OF FLASH, SINK AND IMPERFECTION THAT AFFECT FUNCTION.
 - APPLICABLE TERMINAL : DELPHI 12191818
DELPHI 12191819
 - APPLICABLE REAR HOLDER : MG634546-2
 - 6 HAZARDOUS SUBSTANCES IN PARTS (LEAD, MERCURY, CADMIUM, HEXAVALENT CHROMIUM, PBBs, PBDEs) SHALL NOT EXCEED THE MAXIMUM PERMISSIBLE CONCENTRATION PRESCRIBED UNDER EU ELV DIRECTIVE & RoHS REGULATION.

주 기

- 기능상 유해한 BURR 및 WELDLINE 등이 없을것.
- 적용 TERMINAL : DELPHI 12191818
DELPHI 12191819
- 적용 REAR HOLDER : MG634546-2
- 제품내 함유된 6대 유해물질 (납,수은,카드뮴,6가크롬, PBBs, PBDEs)은 EU ELV 지침 및 RoHS 법규에서 지정한 최대 허용 농도를 초과해서는 안된다.



ISSUE MARK

					MATERIAL	SEE TABLE	KET KOREA ELECTRIC ENGINEERED TERMINAL CO., LTD.	
					FINISH	SEE TABLE		
					WIRE RANGE	CLASS	150	
					INSULATION	TYPE		
LTR	REVISION RECORD	DR.	CHK.	APP.	DATE	TOLERANCE EXCEPT AS NOTED	SCALE	PART NO.
DR.	CYJ 2011.10.25	CHK.				SEE TABLE	2/1	MG644167
CHK.	UYH 2011.10.25	APP.	HSH		2011.10.25	PART NAME	150 WP 3F ASSY	