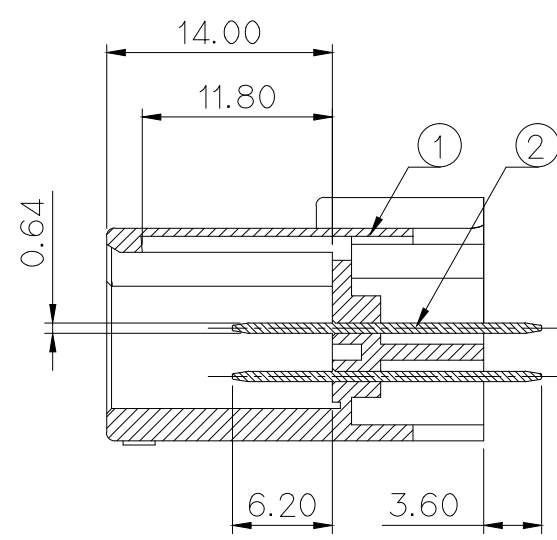
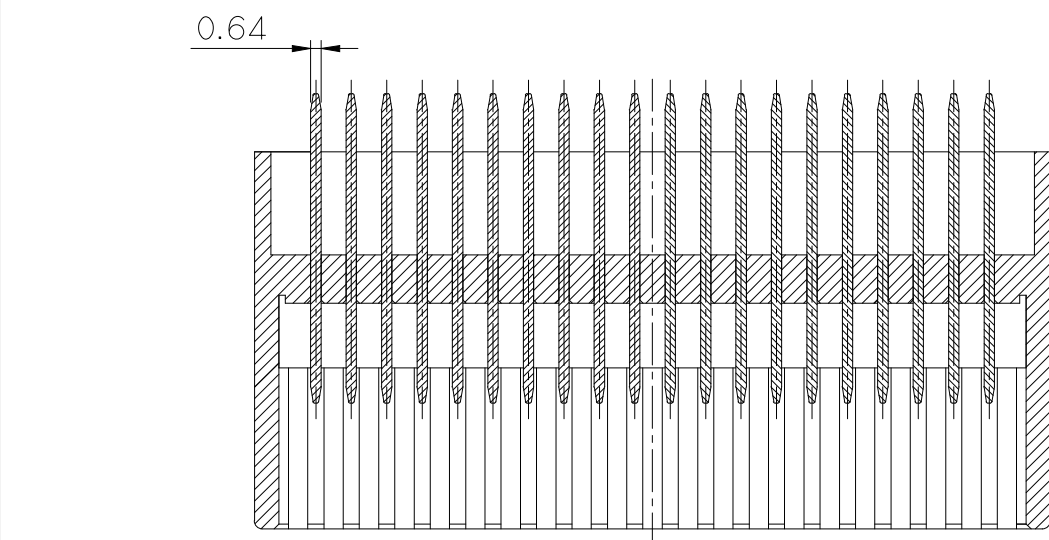
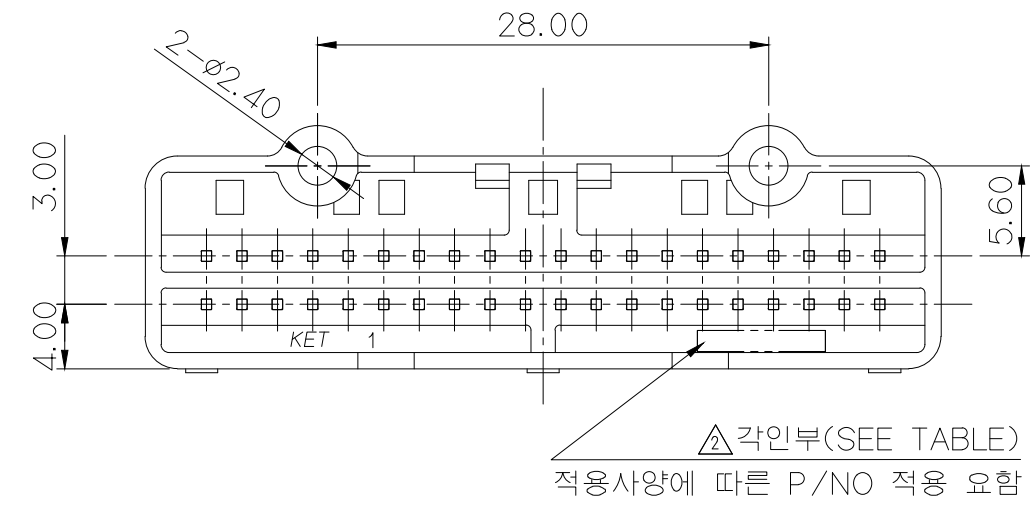
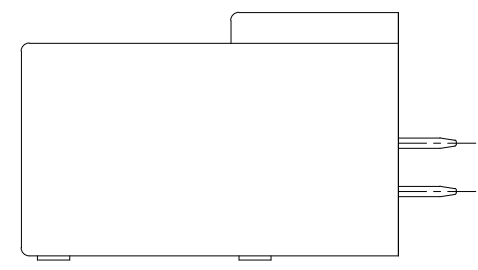
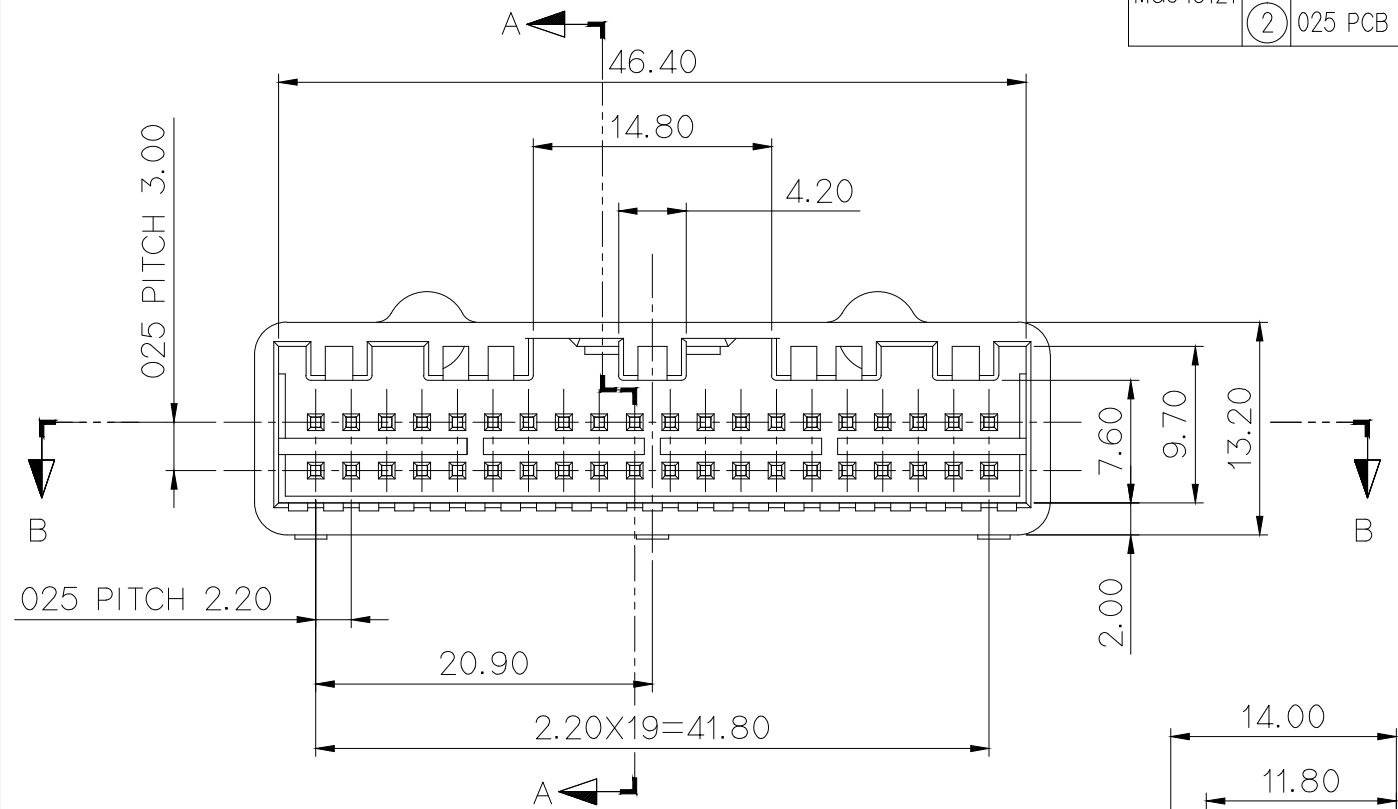
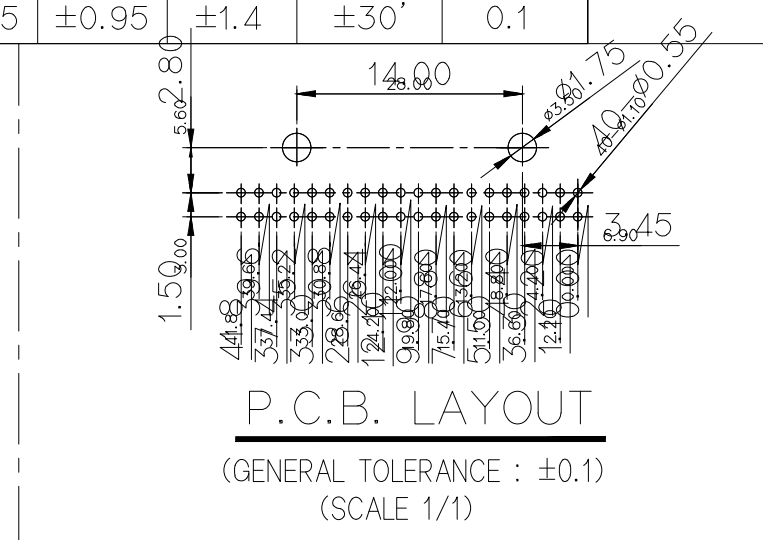


GENERAL TOLERANCE (TERMINAL)					GENERAL TOLERANCE (HOUSING)							USED ON
10MAX	20MAX	45MAX	ANGLE	ECCENT	10MAX	50MAX	100MAX	250MAX	250VR	ANGLE	ECCENT	
±0.2	±0.25	±0.3	±30'	0.1	±0.2	±0.3	±0.55	±0.95	±1.4	±30'	0.1	

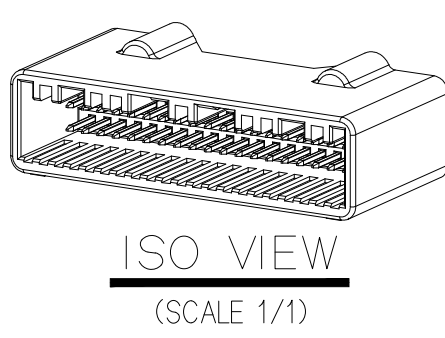
PART NO.	NO.	PART NAME	PART NO.	MATERIAL	FINISH	Q'TY	각인사항
MG644114 MG644114-5	①	025 40M PCB HOUSING	MG674115 MG674115-5	PBT+GF10%	SEE TABLE	1 EA	MG644114
	②	025 PCB BANDOLIER PIN	R602156 (or ST792300-3)	BRASS	PRE-TIN	40EA	
MG645121	①	025 40M PCB HOUSING	MG675122	PBT+GF10%	SEE TABLE	1 EA	MG645121
	②	025 PCB BANDOLIER PIN	ST792300-2	BRASS	POST-TIN	40EA	



- 주 기
- 기능상 유해한 BURR 및 WELDLINE 등이 없을 것.
  - 적용 HOUSING : MG654116, MG655708
  - 적용 BOLT : M3 일반나사
  - 제품내 함유된 6대 유해물질 (납,수은,카드뮴,6가크롬, PBBs, PBDEs)은 EU ELV 지침 및 RoHS 법규에서 지정한 최대 허용 농도를 초과해서는 안된다.

- NOTE
- MUST BE FREE OF BURR, WELDLINE AND IMPERFECTION THAT AFFECT FUNCTION.
  - APPLICABLE HOUSING : MG654116, MG655708
  - APPLICABLE MOUNTING SCREW : M3 SCREW
  - 6 HAZARDOUS SUBSTANCES IN PARTS (LEAD, MERCURY, CADMIUM, HEXAVALENT CHROMIUM, PPBs, PPDEs) SHALL NOT EXCEED THE MAXIMUM PERMISSIBLE CONCENTRATION PRESCRIBED UNDER EU ELV DIRECTIVE & RoHS REGULATION.

NO.	MATERIAL	COLOR
0	PBT-GF10	NATURAL
1	(B4300G2)	RED
2		BLUE
20		JADE
3		YELLOW
4		GRAY
40		DARK GRAY
41		LIGHT GRAY
5		BLACK
6		DARK GREEN
7		BROWN
8		LIGHT GREEN
9	MAGENTA	
11	ORANGE	



LTR	REVISION RECORD	DR.	CHK.	APP.	DATE	MATERIAL	FINISH	WIRE RANGE	INSULATION	TOLERANCE EXCEPT AS NOTED	SCALE	PART NO.
						SEE TABLE	SEE TABLE			SEE TABLE	2/1	MG644114 MG645121
												025 40M PCB CONNECTOR (VRT)