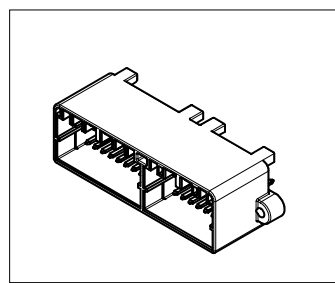
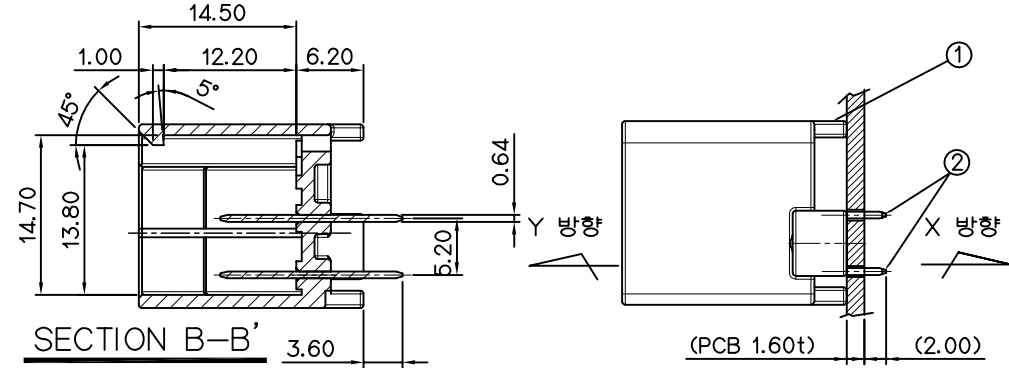


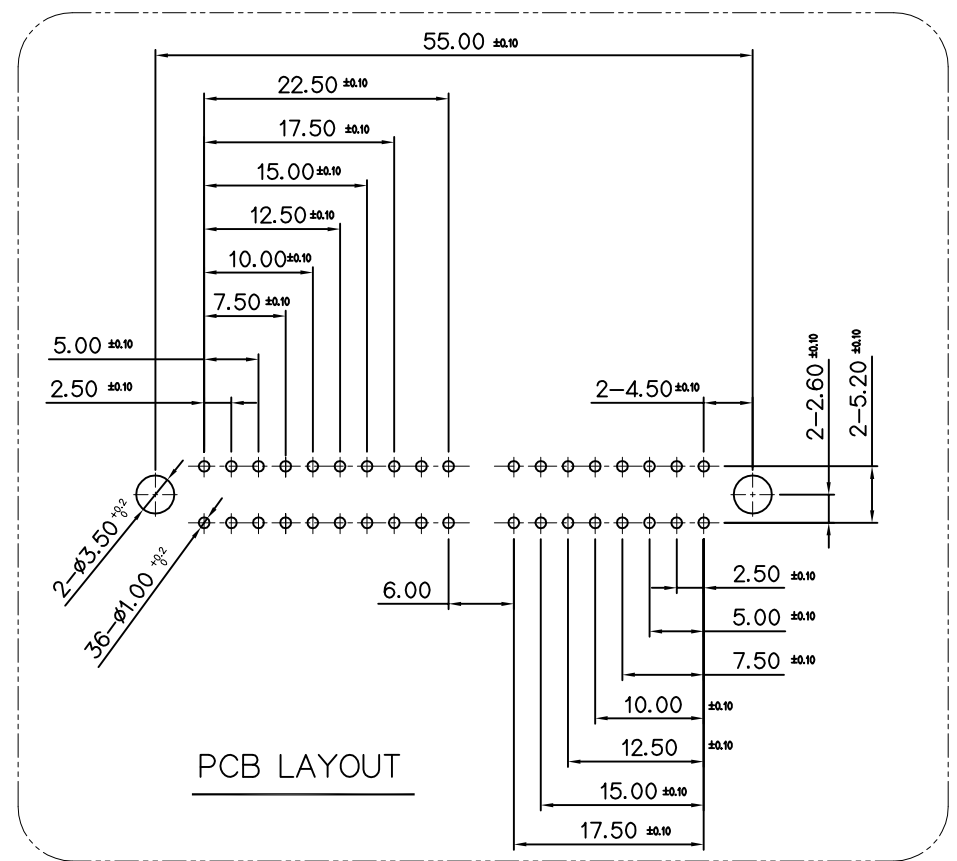
PART NO. MG644112/4112T  
CUSTOMER DRAWING  
DIMENSIONS IN MM



ISO VIEW

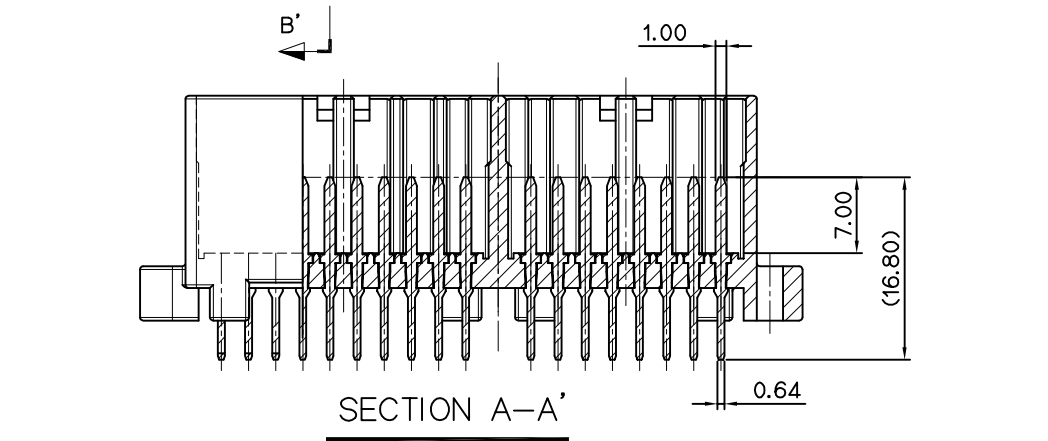
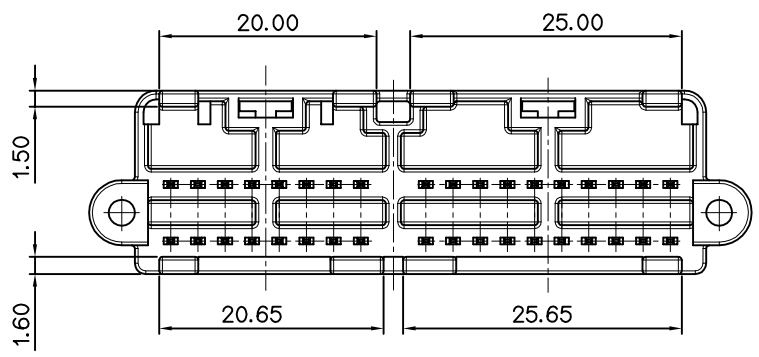
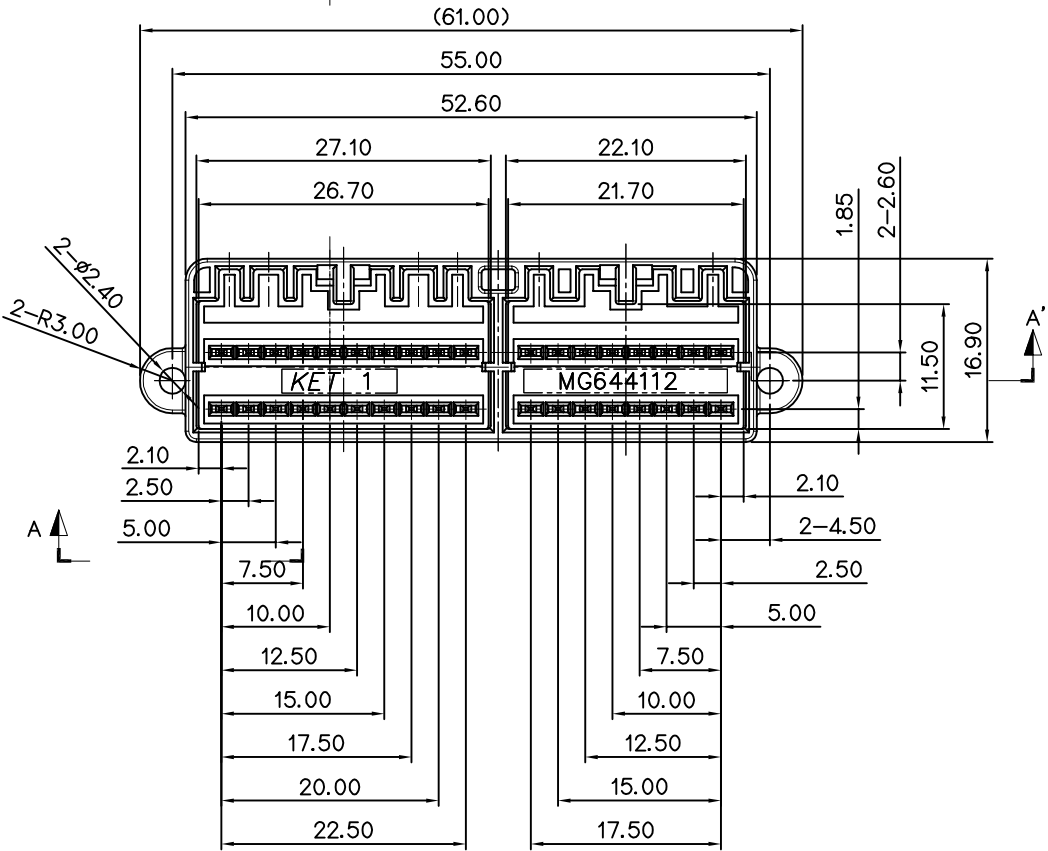
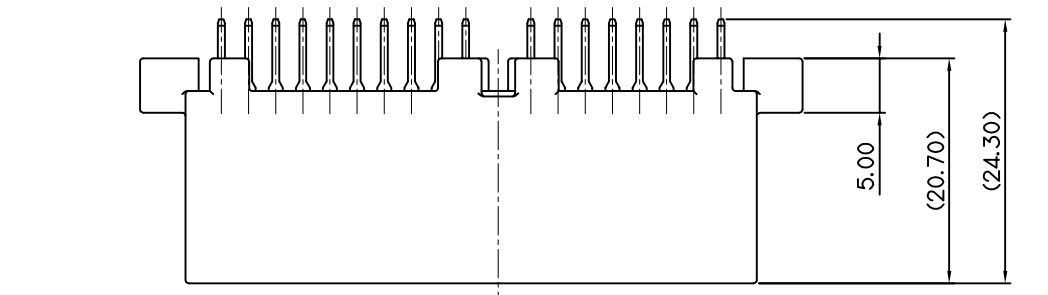
- NOTE**
1. 지시하지 않은 반경 R은 0.3로 한다
  2. 기능상 유해한 BURR 및 변형이 없을것.
  3. 형합 피치는 HS'G 바닥에서 공차 내에 있을 것.
  4. 적용 PLUG HOUSING : MG614119 (20P), MG614120 (16P)
  5. 부식사양: KDP-6A
  6. TERMINAL 고착력 : "X"방향 6 Kgf 이상
  7. 적용 BOLT : M3 일반나사
  8. 제품내 함유된 6대 유해물질 (납,수은,카드뮴,6가크롬, PBBs,PBDEs)은 EU ELV 지침 및 RoHS 법규에방향 2 Kgf 이상 지정한 최대 허용 농도를 초과해서는 안된다.

GENERAL TOLERANCE (TERMINAL)					GENERAL TOLERANCE (HOUSING)					USED ON		
10MAX	20MAX	45MAX	ANGLE	ECCENT	10MAX	50MAX	100MAX	250MAX	250VR	ANGLE	ECCENT	
±0.2	±0.25	±0.3	±30'	0.1	±0.2	±0.3	±0.55	±0.95	±1.4	±30'	0.1	



PCB LAYOUT

- NOTE**
1. UNLESS OTHERWISE SPECIFIED ALL R TO BE 0.3 RADIUS.
  2. MUST BE FREE OF BURR AND IMPERFECTION THAT AFFECT FUNCTION.
  3. PITCH DIMENSION SHALL BE MEASURED FROM THE CENTER TIP OF LOWER HOUSING.
  4. ETCHING TYPE: KDP-6A
  5. TERMINAL RETENTION FORCE : MIN 6 Kgf (X-DIRECTION), MIN 2 Kgf (Y-DIRECTION)
  6. APPLICABLE MOUNTING SCREW : M3 SCREW
  7. 6 HAZARDOUS SUBSTANCES IN PARTS (LEAD, MERCURY, CADMIUM, HEXAVALENT CHROMIUM, PBBs, PBDEs) SHALL NOT EXCEED THE MAXIMUM PERMISSIBLE CONCENTRATION PRESCRIBED UNDER EU ELV DIRECTIVE & RoHS REGULATION.



SECTION A-A'

NO.	PART NAME	MATERIAL	FINISH	Q'TY
①	040II 36M PCB HOUSING (VRT)	PBT+GF10	BLACK	1 EA
②	040III PCB TAB TM'L	BRASS	PRE-TIN	36 EA
③	040III PCB TAB TM'L	BRASS	PRE-TIN + Soldering부 Sn 추가도금	36 EA

NO.	PART NAME	PART NO.	ASSEMBLY
1	040II 36M PCB ASSY (VRT)	MG644112	① + ②
2	040II 36M PCB ASSY (VRT)	MG644112T	① + ③

MATERIAL		SEE TABLE	FINISH		SEE TABLE	WIRE RANGE		CLASS	040II
INSULATION <td>TYPE</td> <td colspan="2">SCALE <td>4/1</td> <td colspan="2">PART NO. <td colspan="2">MG644112/4112T</td> </td></td>		TYPE	SCALE <td>4/1</td> <td colspan="2">PART NO. <td colspan="2">MG644112/4112T</td> </td>		4/1	PART NO. <td colspan="2">MG644112/4112T</td>		MG644112/4112T	
REVISION RECORD <td>DR.</td> <td>CHK.</td> <td>APP.</td> <td>DATE</td> <td colspan="2">PART NAME <td colspan="2">040II 36M PCB ASSY (VRT)</td> </td>		DR.	CHK.	APP.	DATE	PART NAME <td colspan="2">040II 36M PCB ASSY (VRT)</td>		040II 36M PCB ASSY (VRT)	
LTR	CDH '08.07.08	CHK.							
CHK.	'08.07.08	APP.			'08.07.08				



KET KOREA ELECTRIC TERMINAL CO., LTD.

CLASS 040II

TYPE

PART NO. MG644112/4112T

040II 36M PCB ASSY (VRT)