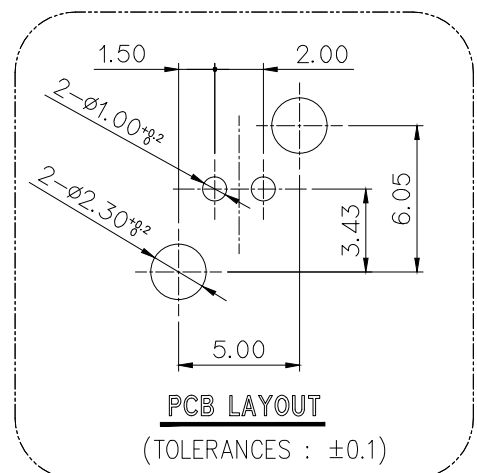
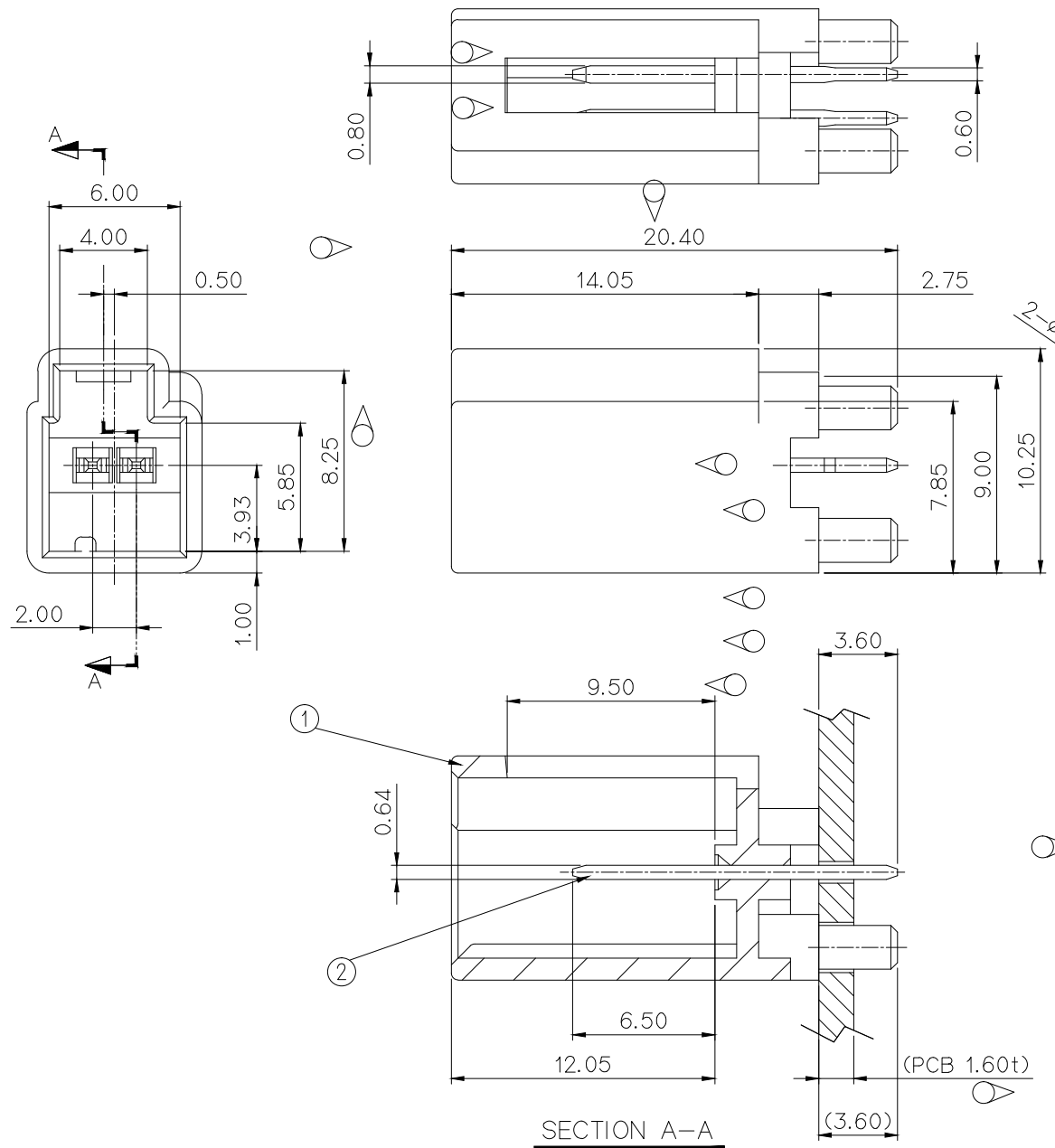


PART NO. MG644008

CUSTOMER DRAWING

GENERAL TOLERANCE (TERMINAL)					GENERAL TOLERANCE (HOUSING)							USED ON
10MAX	20MAX	45MAX	ANGLE	ECCENT	10MAX	50MAX	100MAX	250MAX	250 VR	ANGLE	ECCENT	
±0.2	±0.25	±0.3	±30'	0.1	±0.2	±0.3	±0.55	±0.95	±1.4	±30'	0.1	



- 주 기**
- 1.지시하지 않은 반경 R은 0.3로 한다
  - 2.지시하지 않은 모따기 C는 0.3으로 한다.
  - 3.기능상 유해한 BURR 및 WELDLINE등이 없을것.
  - 4.적용 FEMALE HS'G: MG652630
  - 5.제품내 함유된 6대 유해물질 (납,수은,카드뮴,6가크롬, PBBs,PBDEs)은 EU ELV 지침 및 RoHS 법규에서 지정한 최대 허용 농도를 초과해서는 안된다.

- NOTE**
1. UNLESS OTHERWISE SPECIFIED ALL RADIUS TO BE 0.3 RADIUS.
  2. UNLESS OTHERWISE SPECIFIED ALL CHAMFERS TO BE 0.3 CHAMFER.
  3. MUST BE FREE OF BURR, WELDLINE AND IMPERFECTION THAT AFFECT FUNCTION.
  4. APPLICABLE FEMALE HS'G: MG652630
  5. 6 HAZARDOUS SUBSTANCES IN PARTS (LEAD, MERCURY, CADMIUM, HEXAVALENT CHROMIUM, PBBs, PBDEs) SHALL NOT EXCEED THE MAXIMUM PERMISSIBLE CONCENTRATION PRESCRIBED UNDER EU ELV DIRECTIVE & RoHS REGULATION.



ISSUE MARK

NO.	PART NAME	PART NO.	MATERIAL	FINISH	QTY.
①	030 2M PCB HOUSING (VRT)	MG674007	PBT+G/F15%	BLACK	1
②	A PCB M TERMINAL (14.85mm)	ST792054	BRASS	PRE-TIN	2

MATERIAL		SEE TABLE							
FINISH		SEE TABLE							
WIRE RANGE		CLASS	030						
INSULATION		TYPE	A						
LTR		REVISION RECORD	DR.	CHK.	APP.	DATE	TOLERANCE EXCEPT AS NOTED	SCALE	PART NO.
DR.		YSW '07.08.23	CHK.				4/1	MG644008	
CHK.		-- 8/24	APP.	-- 8/24	PART NAME 030 2M PCB ASSY (VRT)				

**APPROVED**  
2016-03-10  
KOREA ELECTRIC TERMINAL CO., LTD.  
Product Development Team 3

DIMENSIONS IN MM