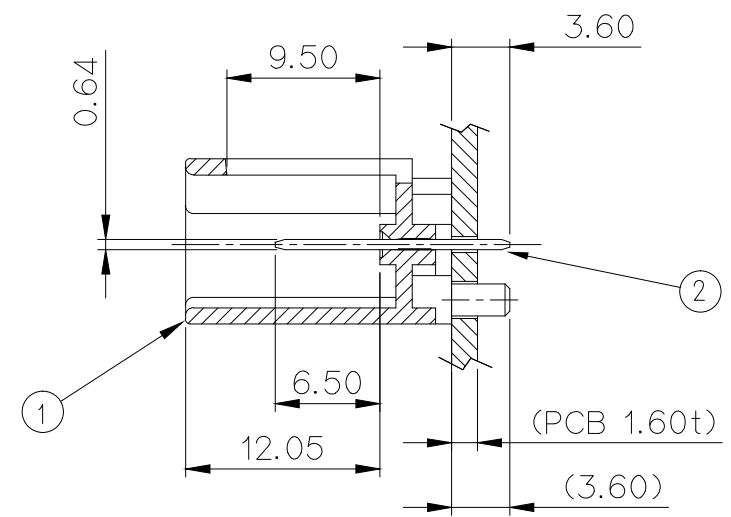
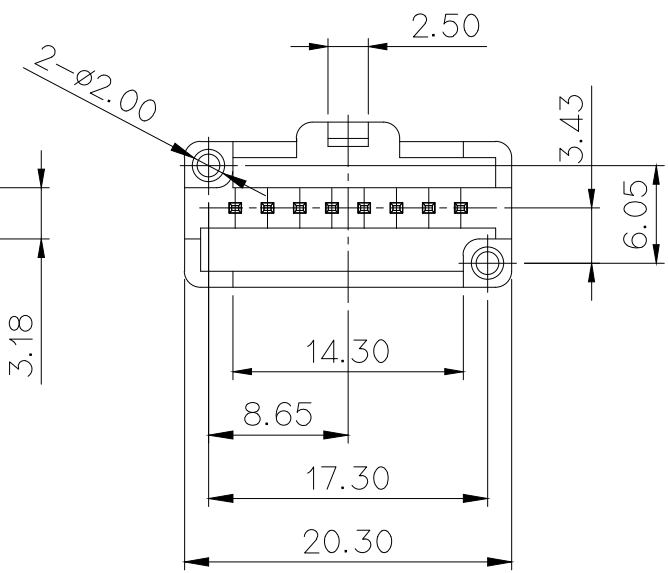
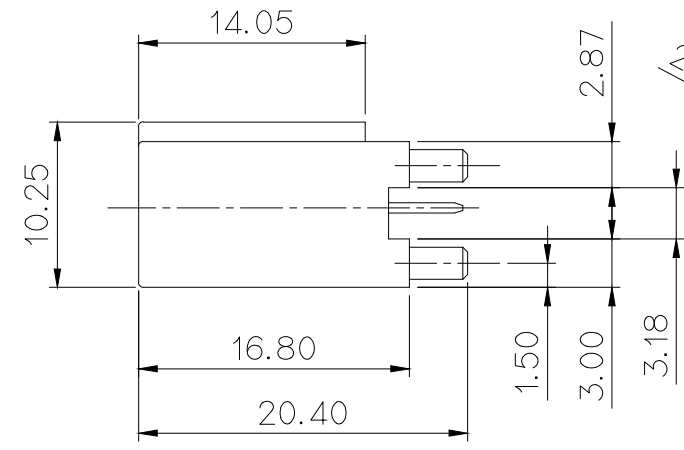
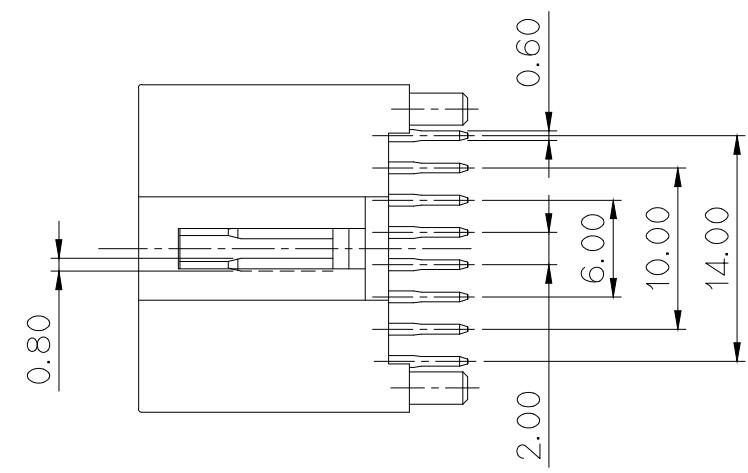
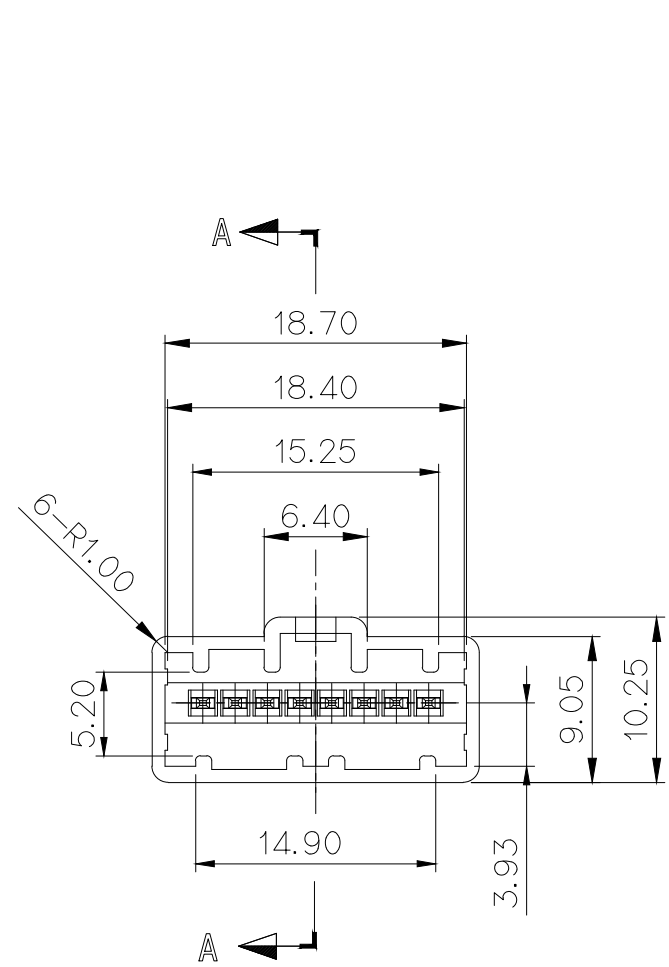
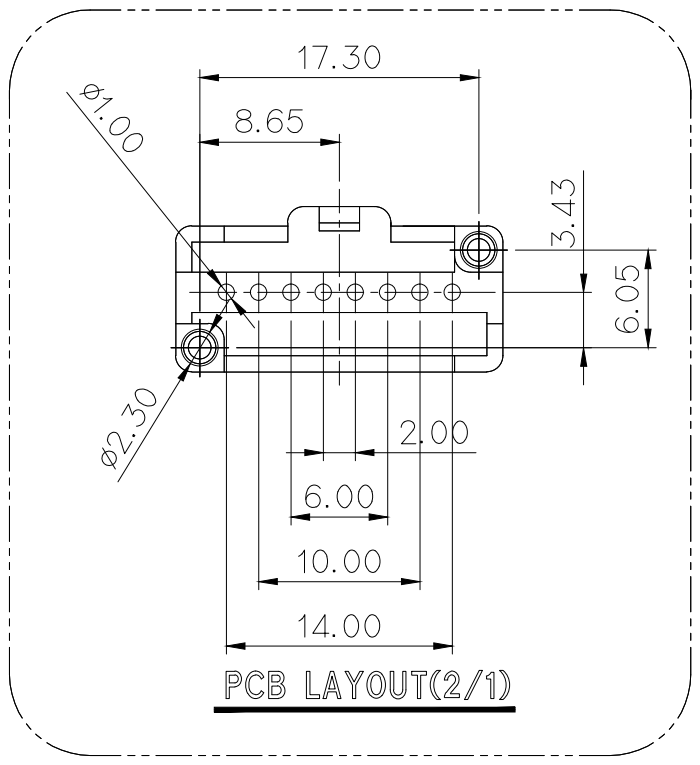


| GENERAL TOLERANCE (TERMINAL) | | | | | GENERAL TOLERANCE (HOUSING) | | | | | | | USED ON |
|------------------------------|-------|-------|-------|--------|-----------------------------|-------|--------|--------|-------|-------|--------|---------|
| 10MAX | 20MAX | 45MAX | ANGLE | ECCENT | 10MAX | 50MAX | 100MAX | 250MAX | 250VR | ANGLE | ECCENT | |
| ±0.2 | ±0.25 | ±0.3 | ±30' | 0.1 | ±0.2 | ±0.3 | ±0.55 | ±0.95 | ±1.4 | ±30' | 0.1 | |

| NO. | ASSY NO. | 구성품 내역 | | | | | |
|-----|-------------|--------|------------------------|------------|----------|--------------------|------|
| | | NO. | PART NAME | PART NO. | MATERIAL | FINISH | QTY. |
| 1 | MG643996-5 | ① | A 8M PCB HS'G | MG673995 | PBT | BLACK | 1EA |
| | | ② | A PCB M TM'L (14.85mm) | ST792054-3 | BRASS | PRE-TIN | 8EA |
| 2 | MG643996-5F | ① | A 8M PCB HS'G | MG673995 | PBT | BLACK | 1EA |
| | | ② | A PCB M TM'L (14.85mm) | ST792054-2 | BRASS | Sn 후도금-무광 (Reflow) | 8EA |



SEC. A-A



PCB LAYOUT(2/1)

NOTES

- UNLESS OTHERWISE SPECIFIED ALL R TO BE 0.3 RADIUS.
- MUST BE FREE OF BURR, WELDLINE AND IMPERFECTION THAT AFFECT FUNCTION.
- APPLICATION FEMALE HOUSING : MG652633
- MG643996-5F TIN-PLATED TERMINAL - TYPE A Sn(MATTE), (MS915-01) Ni-PLATED UNDER + Sn(MATTE) + Reflow
- 6 HAZARDOUS SUBSTANCES IN PARTS (LEAD, MERCURY, CADMIUM, HEXAVALENT CHROMIUM, PBBs, PBDEs) SHALL NOT EXCEED THE MAXIMUM PERMISSIBLE CONCENTRATION PRESCRIBED UNDER EU ELV DIRECTIVE & RoHS REGULATION.

주 기

- 지시하지 않은 반경 R은 0.3으로 한다.
- 기능상 유해한 BURR, WELDLINE 및 미성형 등이 없을것.
- 적용 FEMALE HOUSING : MG652633
- MG643996-5F 단자 주석 도금 - TYPE A Sn(무광택), (MS915-01) Ni 하지 도금 + Sn(무광) + Reflow
- 제품내 함유된 6대 유해물질 (납,수은,카드뮴,6가크롬,PBBs,PBDEs)은 EU ELV 지침 및 RoHS 법규에서 지정한 최대 허용 농도를 초과해서는 안된다.

APPROVED

2016-02-26

KETA KOREA ELECTRIC TERMINAL CO., LTD.
Korea Electric Terminal Co., LTD.

ISSUE MARK

| | | | | | | | | | |
|-----|-------------------------|------|-----------|------|-----------|---------------------------|---------------------|-------|-----------------------------------|
| | | | | | | MATERIAL | SEE TABLE | | KOREA ELECTRIC TERMINAL CO., LTD. |
| | | | | | | FINISH | SEE TABLE | | |
| | | | | | | WIRE RANGE | | CLASS | 030 |
| | | | | | | INSULATION | | TYPE | A |
| | ECO-1511-460 근거 도면 제작성 | JY.K | CSH | LSY | '15.11.27 | TOLERANCE EXCEPT AS NOTED | SEE TABLE | SCALE | 2/1 |
| LTR | REVISION RECORD | DR. | CHK. | APP. | DATE | PART NO. | SEE TABLE | | |
| | DR. S.H.PARK. '07.07.13 | | CHK. SHIN | | '07.07.19 | PART NAME | A 8M PCB ASSY (VRT) | | |
| | CHK. | | APP. KKJ | | '07.07.19 | | | | |