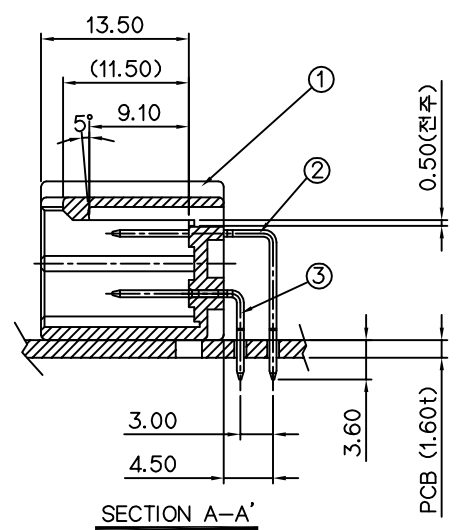


주 기

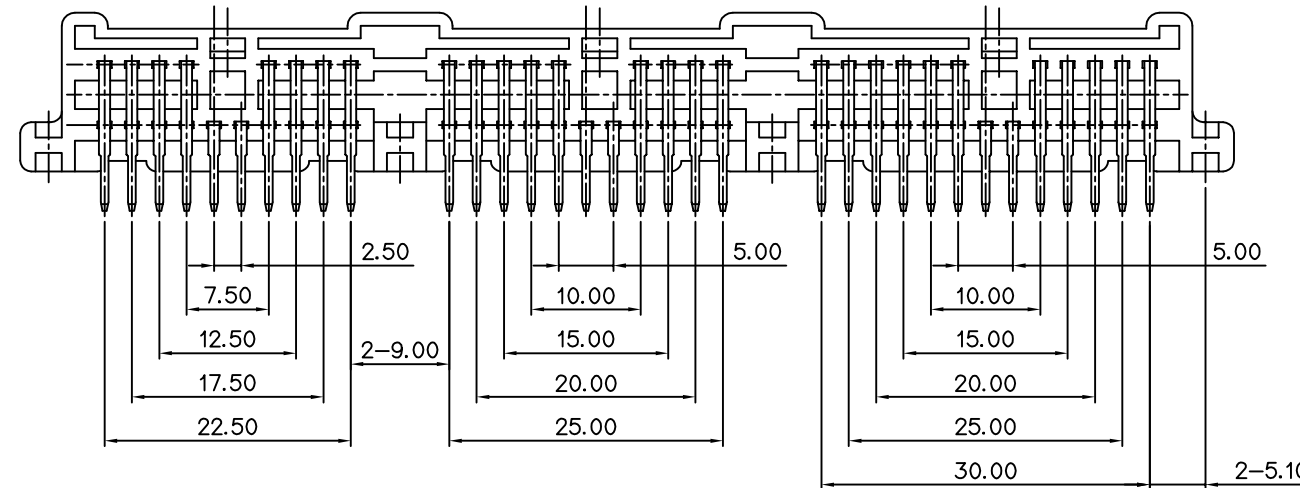
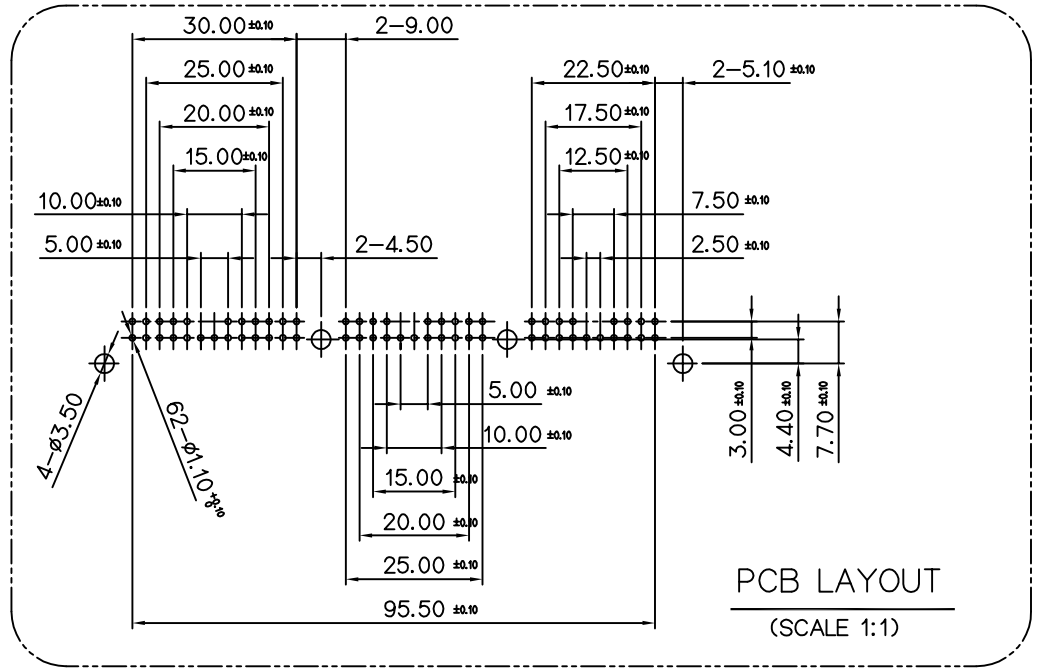
1. 지시하지 않은 반경 R은 0.3로 한다
2. 기능상 유해한 BURR등 변형이 없을것.
3. 적용 PLUG HOUSING : MG653033(24P), MG653026(20P), MG652945(18P)
4. 적용 BOLT : M3 일반나사
5. 제품내 함유된 6대 유해물질 (납,수은,카드뮴,6가크롬, PBBs,PBDEs)은 EU ELV 지침 및 RoHS 법규에서 지정한 최대 허용 농도를 초과해서는 안된다.

NOTE

1. UNLESS OTHERWISE SPECIFIED ALL RADII TO BE 0.3 RADIOUS
2. MUST BE FREE OF FLASH, SINK AND IMPERFECTION THAT AFFECT FUNCTION.
3. MATING PLUG HOUSING : MG653033(24P), MG653026(20P), MG652945(18P)
4. APPLICABLE MOUNTING SCREW : M3 SCREW
5. 6 HAZARDOUS SUBSTANCES IN PARTS (LEAD, MERCURY, CADMIUM, HEXAVALENT CHROMIUM, PBBs, PBDEs) SHALL NOT EXCEED THE MAXIMUM PERMISSIBLE CONCENTRATION PRESCRIBED UNDER EU ELV DIRECTIVE & RoHS REGULATION.



GENERAL TOLERANCE (TERMINAL)					GENERAL TOLERANCE (HOUSING)						USED ON	
10MAX	20MAX	45MAX	ANGLE	ECCENT	10MAX	50MAX	100MAX	250MAX	250VR	ANGLE	ECCENT	
±0.2	±0.25	±0.3	±30'	0.1	±0.2	±0.3	±0.55	±0.95	±1.4	±30'	0.1	



NO.	PART NAME	MATERIAL	FINISH	Q'TY
①	040III 62M PCB HOUSING (HZT)	PBT+GF10	NATURAL	1 EA
②	040III PCB TAB TERMINAL (L)	BRASS	PRE-TIN	28 EA
③	040III PCB TAB TERMINAL (SS)		PRE-TIN	34 EA

ISSUE MARK

		MATERIAL		SEE TABLE	KET KOREA ELECTRIC ENGINEERED TERMINAL CO., LTD.
		FINISH		SEE TABLE	
		WIRE RANGE		CLASS	040III
		INSULATION		TYPE	
LTR	REVISION RECORD	DR.	CHK.	APP.	DATE
DR.	CYJ '07. 10.04	CHK.			
CHK.		APP.			
		TOLERANCE EXCEPT AS NOTED		SEE TABLE	SCALE 2/1
		PART NAME		040III 62M PCB ASS'Y (HZT)	
				PART NO. MG643906	