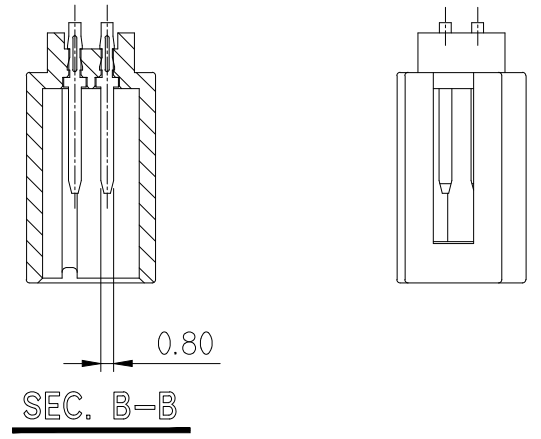


GENERAL TOLERANCE (TERMINAL)					GENERAL TOLERANCE (HOUSING)							USED ON
10MAX	20MAX	45MAX	ANGLE	ECCENT	10MAX	50MAX	100MAX	250MAX	250VR	ANGLE	ECCENT	
±0.2	±0.25	±0.3	±30'	0.1	±0.2	±0.3	±0.55	±0.95	±1.4	±30'	0.1	

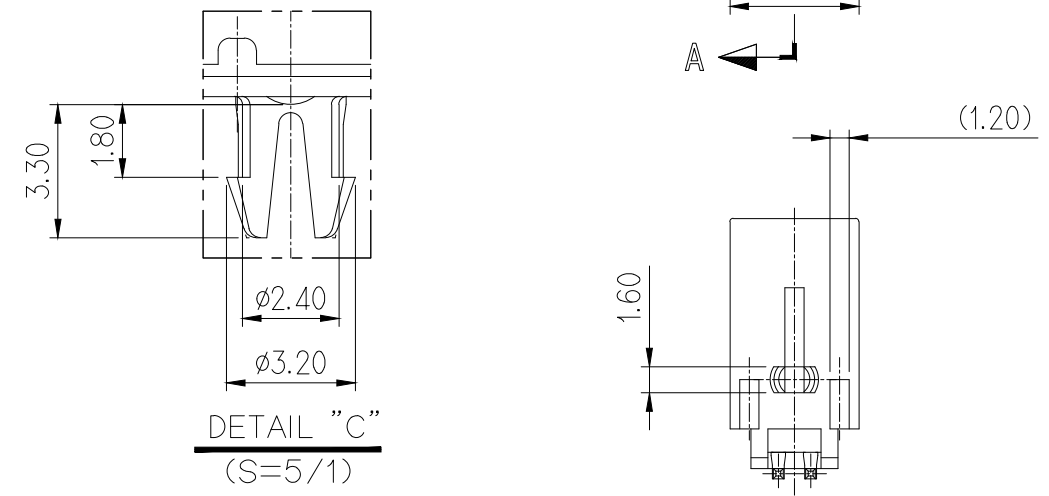
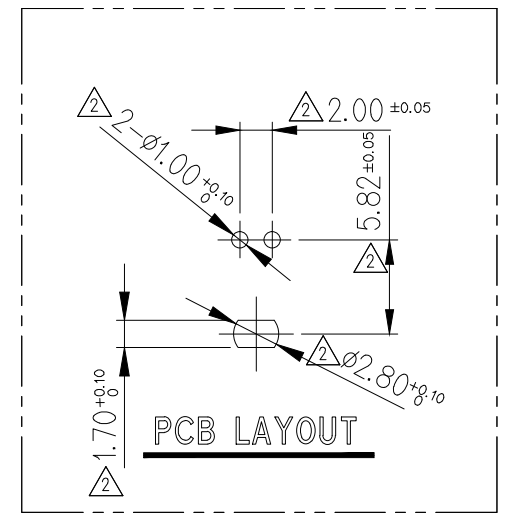
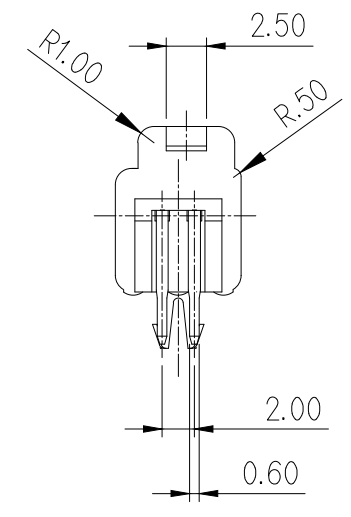
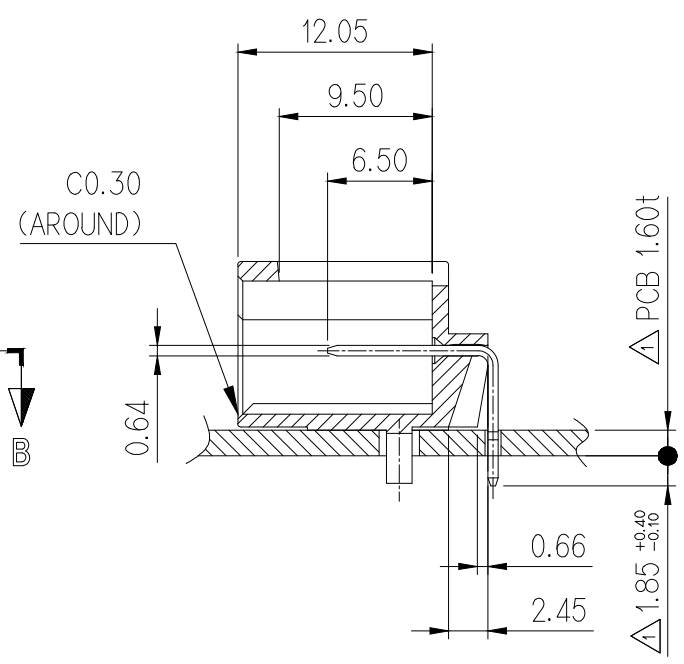
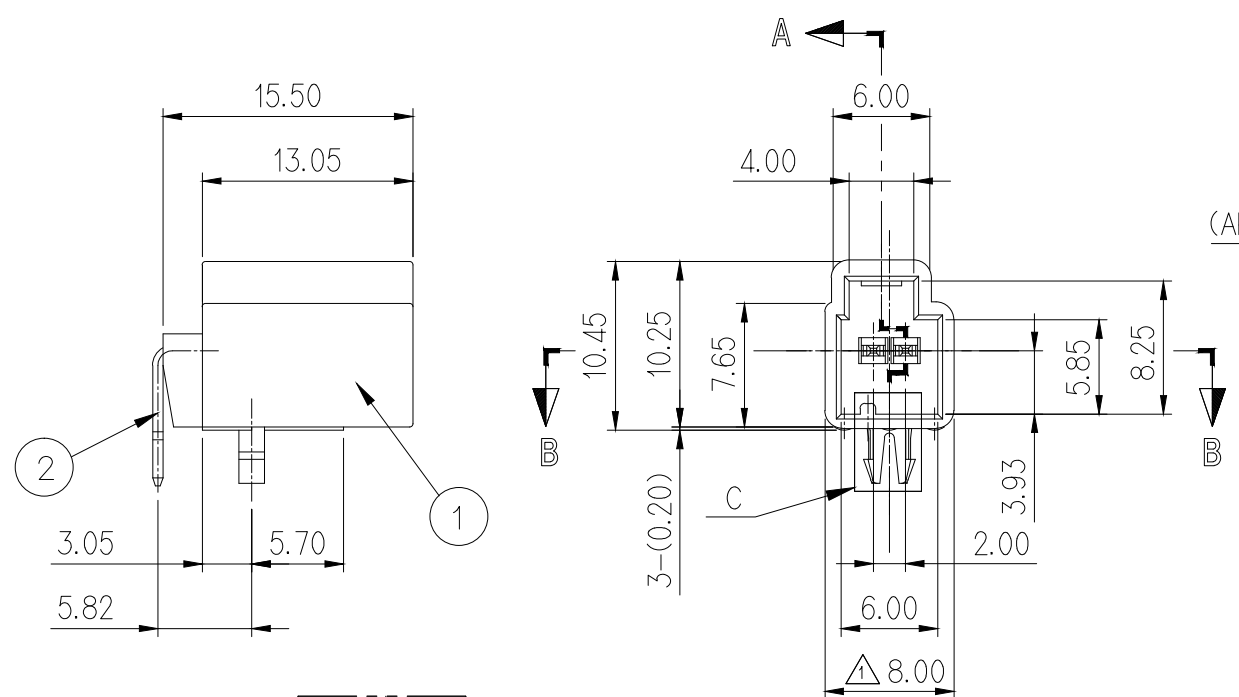


NOTE

- 지시하지 않은 반경 R은 0.3로 한다
- 기능상 유해한 BURR 및 변형이 없을것.
- 적용 PLUG HOUSING : MG652630

NOTE

- UNLESS OTHERWISE SPECIFIED ALL R TO BE 0.3 RADIUS.
- MUST BE FREE OF BURR AND IMPERFECTION THAT AFFECT FUNCTION.
- APPLICATION FEMALE HOUSING : MG652630



APPROVED

2021-10-25

KOREA ELECTRIC
TERMINAL CO., LTD.
Korea Electric Te
rminal Co., LTD.

ISSUE MARK

NO.	PART NAME	MATERIAL	FINISH	Q'TY
①	A(030) 2M PCB HOUSING (HZZ)	PPA + GF 35	BLACK	1 EA
②	A(030) PCB TAB TM'L	BRASS	PRE-TIN	2 EA

					MATERIAL	SEE TABLE	KOREA ELECTRIC TERMINAL CO., LTD.
					FINISH	SEE TABLE	
					WIRE RANGE		CLASS 030
					INSULATION		TYPE A
					LTR	REVISION RECORD	PART NO. MG643748
					DR.	S.H.PARK 06.11.28	SCALE 2/1
					CHK.		TOLERANCE EXCEPT AS NOTED
					APP.		DATE '21.03.29
					CHK.		DATE '11.05.26
					APP.		DATE
					DR.	S.H.PARK 06.11.28	DATE
					CHK.		DATE
					APP.		DATE
					DR.	S.H.PARK 06.11.28	DATE
					CHK.		DATE
					APP.		DATE
					DR.	S.H.PARK 06.11.28	DATE
					CHK.		DATE
					APP.		DATE
					DR.	S.H.PARK 06.11.28	DATE
					CHK.		DATE
					APP.		DATE
					DR.	S.H.PARK 06.11.28	DATE
					CHK.		DATE
					APP.		DATE
					DR.	S.H.PARK 06.11.28	DATE
					CHK.		DATE
					APP.		DATE
					DR.	S.H.PARK 06.11.28	DATE
					CHK.		DATE
					APP.		DATE
					DR.	S.H.PARK 06.11.28	DATE
					CHK.		DATE
					APP.		DATE
					DR.	S.H.PARK 06.11.28	DATE
					CHK.		DATE
					APP.		DATE
					DR.	S.H.PARK 06.11.28	DATE
					CHK.		DATE
					APP.		DATE
					DR.	S.H.PARK 06.11.28	DATE
					CHK.		DATE
					APP.		DATE
					DR.	S.H.PARK 06.11.28	DATE
					CHK.		DATE
					APP.		DATE
					DR.	S.H.PARK 06.11.28	DATE
					CHK.		DATE
					APP.		DATE
					DR.	S.H.PARK 06.11.28	DATE
					CHK.		DATE
					APP.		DATE
					DR.	S.H.PARK 06.11.28	DATE
					CHK.		DATE
					APP.		DATE
					DR.	S.H.PARK 06.11.28	DATE
					CHK.		DATE
					APP.		DATE
					DR.	S.H.PARK 06.11.28	DATE
					CHK.		DATE
					APP.		DATE
					DR.	S.H.PARK 06.11.28	DATE
					CHK.		DATE
					APP.		DATE
					DR.	S.H.PARK 06.11.28	DATE
					CHK.		DATE
					APP.		DATE
					DR.	S.H.PARK 06.11.28	DATE
					CHK.		DATE
					APP.		DATE
					DR.	S.H.PARK 06.11.28	DATE
					CHK.		DATE
					APP.		DATE
					DR.	S.H.PARK 06.11.28	DATE
					CHK.		DATE
					APP.		DATE
					DR.	S.H.PARK 06.11.28	DATE
					CHK.		DATE
					APP.		DATE
					DR.	S.H.PARK 06.11.28	DATE
					CHK.		DATE
					APP.		DATE
					DR.	S.H.PARK 06.11.28	DATE
					CHK.		DATE
					APP.		DATE
					DR.	S.H.PARK 06.11.28	DATE
					CHK.		DATE
					APP.		DATE
					DR.	S.H.PARK 06.11.28	DATE
					CHK.		DATE
					APP.		DATE
					DR.	S.H.PARK 06.11.28	DATE
					CHK.		DATE
					APP.		DATE
					DR.	S.H.PARK 06.11.28	DATE
					CHK.		DATE
					APP.		DATE
					DR.	S.H.PARK 06.11.28	DATE
					CHK.		DATE
					APP.		DATE
					DR.	S.H.PARK 06.11.28	DATE
					CHK.		DATE
					APP.		DATE
					DR.	S.H.PARK 06.11.28	DATE
					CHK.		DATE
					APP.		DATE
					DR.	S.H.PARK 06.11.28	DATE
					CHK.		DATE
					APP.		DATE
					DR.	S.H.PARK 06.11.28	DATE
					CHK.		DATE
					APP.		DATE
					DR.	S.H.PARK 06.11.28	DATE
					CHK.		DATE
					APP.		DATE
					DR.	S.H.PARK 06.11.28	DATE
					CHK.		DATE
					APP.		DATE
					DR.	S.H.PARK 06.11.28	DATE
					CHK.		DATE
					APP.		DATE
					DR.	S.H.PARK 06.11.28	DATE
					CHK.		DATE
					APP.		DATE
					DR.	S.H.PARK 06.11.28	DATE
					CHK.		DATE
					APP.		DATE
					DR.	S.H.PARK 06.11.28	DATE
					CHK.		DATE
					APP.		DATE
					DR.	S.H.PARK 06.11.28	DATE
					CHK.		DATE
					APP.		DATE
					DR.	S.H.PARK 06.11.28	DATE
					CHK.		DATE
					APP.		DATE
					DR.	S.H.PARK 06.11.28	DATE
					CHK.		DATE
					APP.		DATE
					DR.	S.H.PARK 06.11.28	DATE
					CHK.		DATE
					APP.		DATE
					DR.	S.H.PARK 06.11.28	DATE
					CHK.		DATE
					APP.		DATE
					DR.	S.H.PARK 06.11.28	DATE
					CHK.		DATE
					APP.		DATE
					DR.	S.H.PARK 06.11.28	DATE
					CHK.		DATE
					APP.		DATE
					DR.	S.H.PARK 06.11.28	DATE
					CHK.		DATE
					APP.		DATE
					DR.	S.H.PARK 06.11.28	DATE
					CHK.		DATE
					APP.		DATE
					DR.	S.H.PARK 06.11.28	DATE
					CHK.		DATE
					APP.		DATE
					DR.	S.H.PARK 06.11.28	DATE
					CHK.		DATE
					APP.		DATE
					DR.	S.H.PARK 06.11.28	DATE
					CHK.		DATE
					APP.		DATE
					DR.	S.H.PARK 06.11.28	DATE
					CHK.		DATE
					APP.		DATE
					DR.	S.H.PARK 06.11.28	DATE
					CHK.		DATE
					APP.		DATE
					DR.	S.H.PARK 06.11.28	DATE
					CHK.		DATE
					APP.		DATE
					DR.	S.H.PARK 06.11.28	DATE
					CHK.		DATE
					APP.		DATE
					DR.	S.H.PARK 06.11.28	DATE
					CHK.		DATE
					APP.		DATE
					DR.	S.H.PARK 06.11.28	DATE
					CHK.		DATE
					APP.		DATE
					DR.	S.H.PARK 06.11.28	DATE
					CHK.		DATE
					APP.		DATE
					DR.	S.H.PARK 06.11.28	DATE
					CHK.		DATE
					APP.		DATE
					DR.	S.H.PARK 06.11.28	DATE
					CHK.		DATE
					APP.		DATE
					DR.	S.H.PARK 06.11.28	DATE