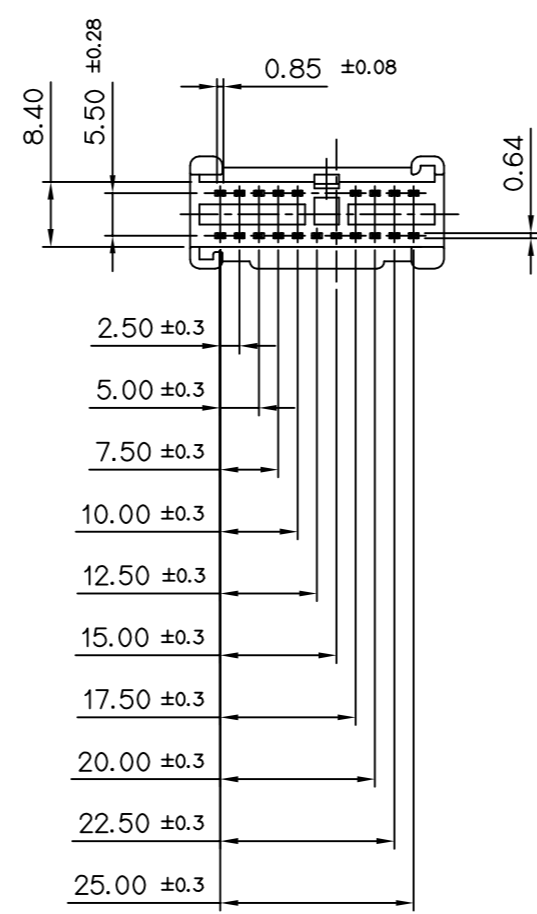
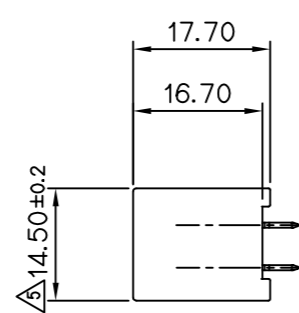
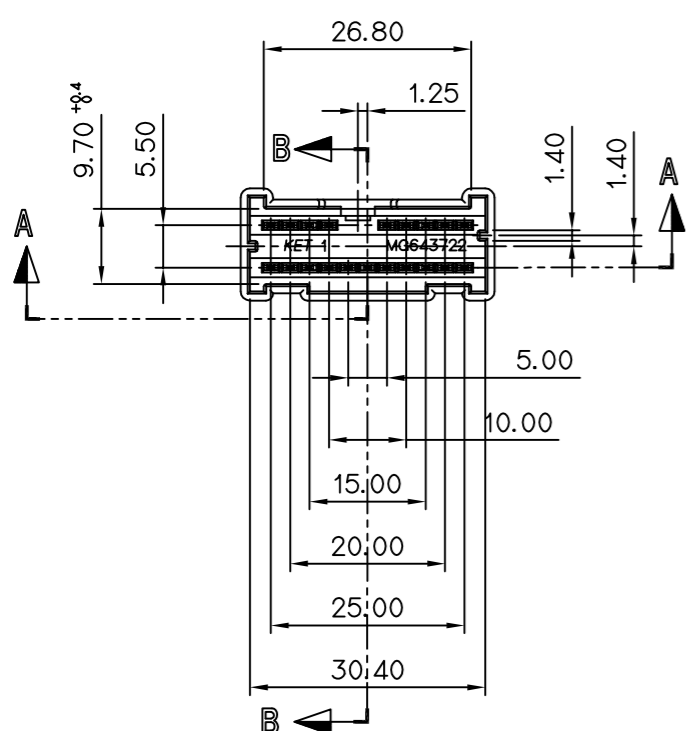
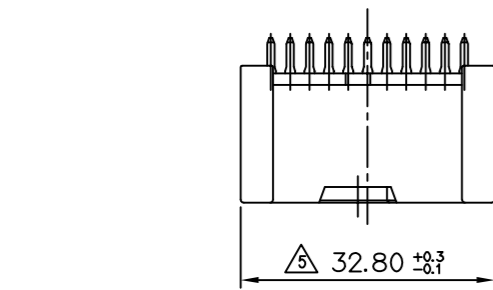


GENERAL TOLERANCE (TERMINAL)					GENERAL TOLERANCE (HOUSING)							USED ON
10MAX	20MAX	45MAX	ANGLE	ECCENT	10MAX	50MAX	100MAX	250MAX	250VR	ANGLE	ECCENT	
±0.2	±0.25	±0.3	±30'	0.1	±0.2	±0.3	±0.55	±0.95	±1.4	±30'	0.1	

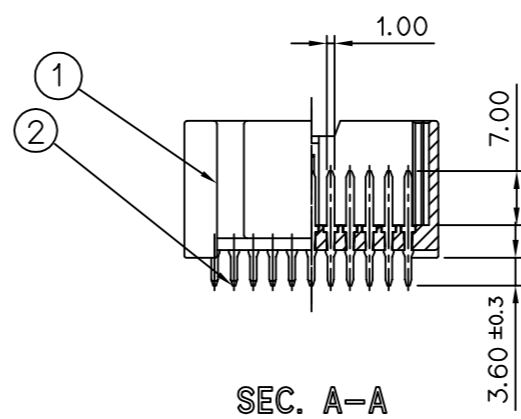
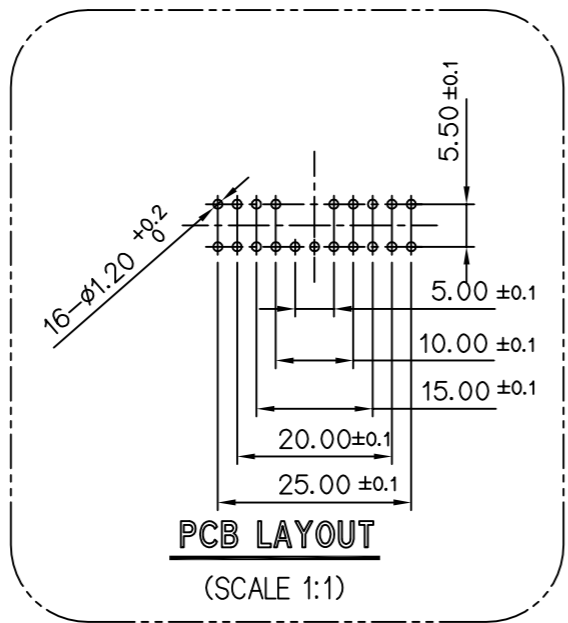
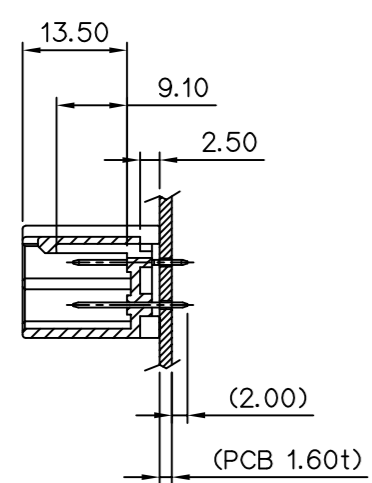


NOTE

- UNLESS OTHERWISE SPECIFIED ALL RADII TO BE 0.3 RADIOUS
- MUST BE FREE OF FLASH, SINK AND IMPERFECTION THAT AFFECT FUNCTION.
- MATING PLUG HOUSING : MG653026
- SATISFY SPEC NO. ES91500-00.
- PLATING SPECIFICATION : PRE-TIN + SELECTIVE AREA POST-TIN PLATING.
 - (1) BASE MATERIAL - REFLOW PRECESSED PRE-TIN BRONZE.
GROSS TIN PLATE 0.8~1.8μm over GROUND BRONZE PLATE 0.3~0.8μm
 - (2) SELECTIVE POST-TIN PLATING : AFTER STAMPING PROCESS at SOLDERING AREA.
GROSS TIN PLATE 5~10μm, Min. 7mm FROM TERMINAL END.

NOTE

- 지시하지 않은 반경 R은 0.3로 한다
- 기능상 유해한 BURR등 변형이 없을것.
- 적용 PLUG HOUSING : MG653026
- 규격 ES91500-00을 만족할 것.
- 도금사양 : 주석 선도금 + 부분 주석 후도금
 - (1) 원재료 - REFLOW 처리된 주석 선도금 청동.
상지 : Sn 도금두께 0.8~1.8μm, 하지 : Cu 0.3~0.8μm
 - (2) 부분주석 후도금 : 타발 후 납 탭부 전면.
Sn 5~10μm, 적용높이 - 단자 끝단부터 최소 7mm.



ISSUE MARK

NO.	PART NAME	MATERIAL	FINISH	Q'TY
①	040III 20M PCB HS'G (VRT)	PBT	NATURAL	1 EA
②	040III PCB TAB TERMINAL (14.80 TYPE)	COPPER ALLOY	PRE-TIN + SELECTIVE Tin-PLATE	20 EA

		MATERIAL	SEE TABLE	KET KOREA ELECTRIC TERMINAL CO., LTD.			
		FINISH	SEE TABLE				
		WIRE RANGE		CLASS 040III			
		INSULATION		TYPE			
△	고객 협의에 따른 설계 변경	S.H.PARK	'07.07.03	PART NO. MG643722			
LTR	REVISION RECORD	DR.	CHK.	APP.	DATE	TOLERANCE EXCEPT AS NOTED	SCALE 1/1
DR.	S.H.PARK 05.12.30	CHK.	E.S.SHIN 06.02.07	PART NAME 040III 20M PCB ASSY (VRT)			
CHK.	S.W.HWANG 06.02.07	APP.	K.J.KIM 06.02.09				