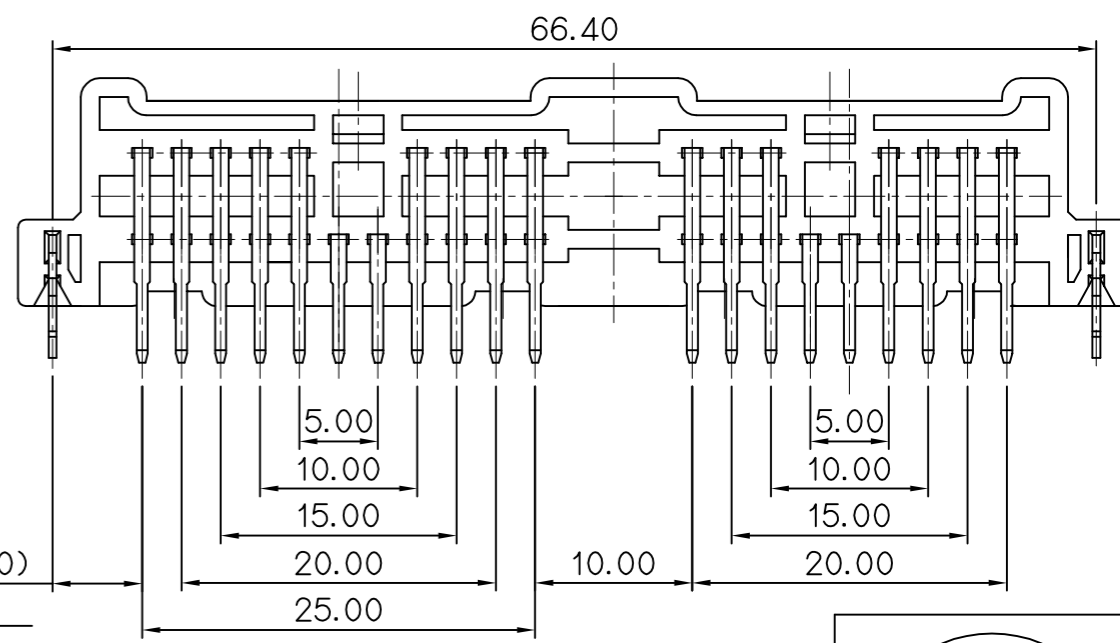
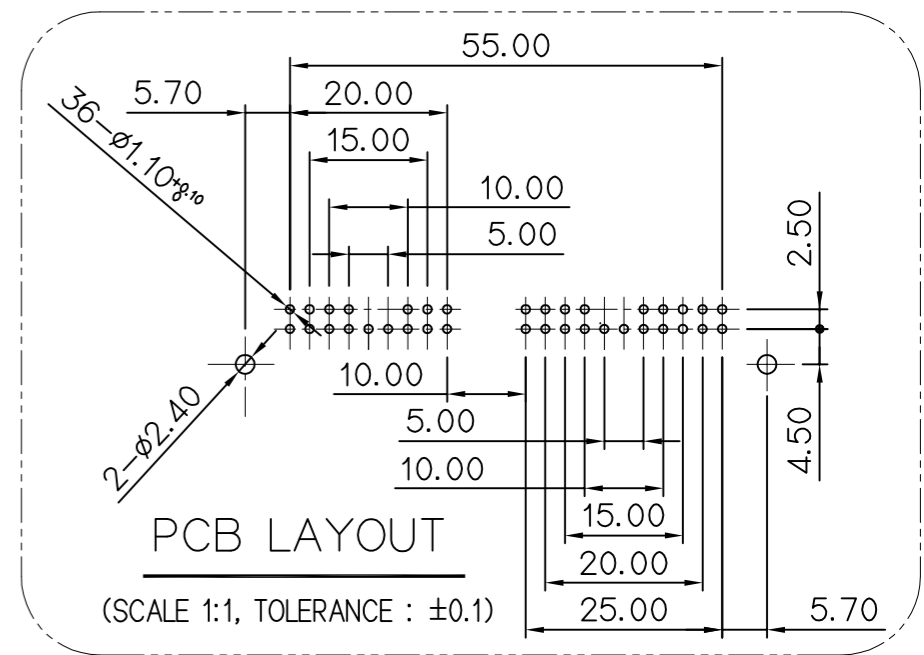
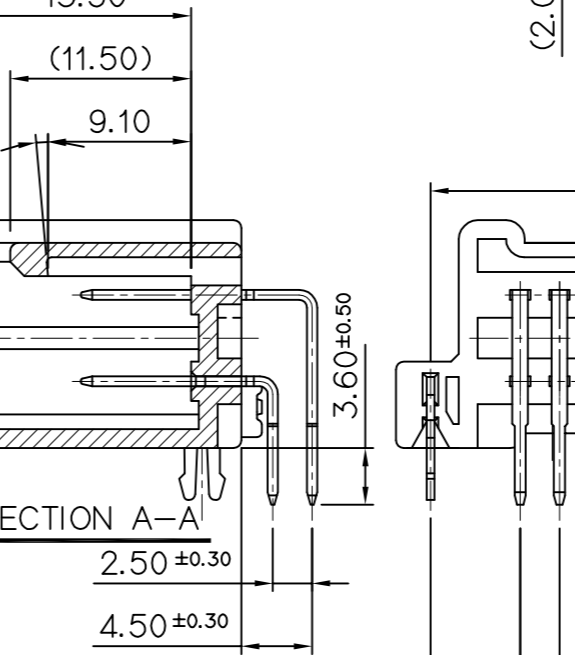
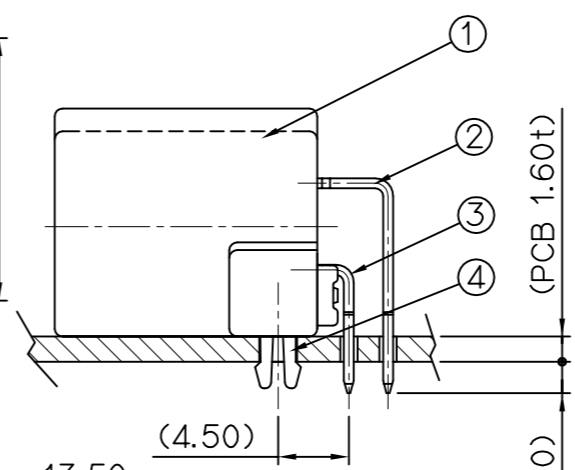
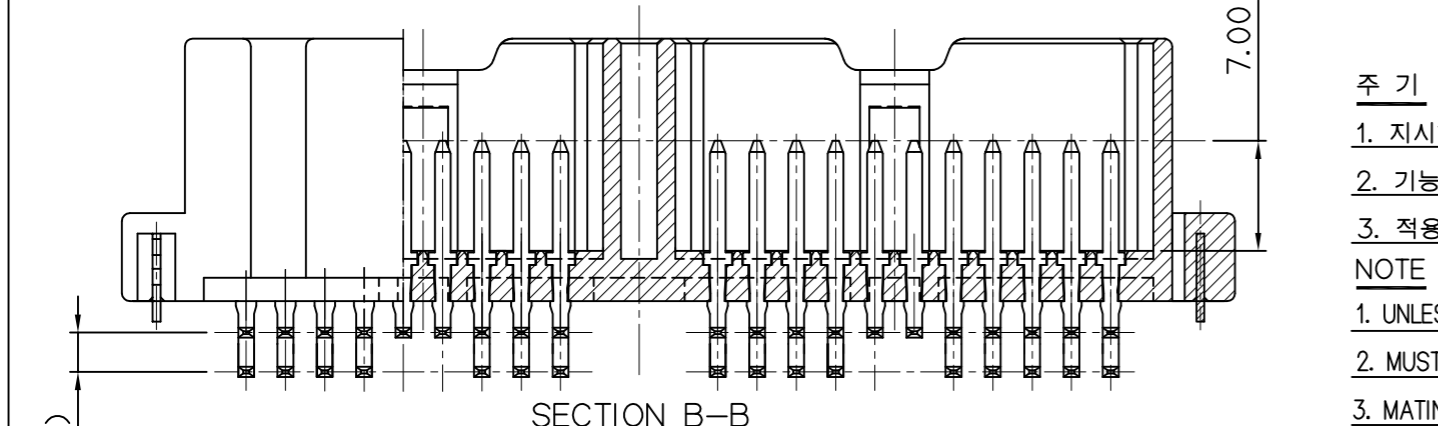
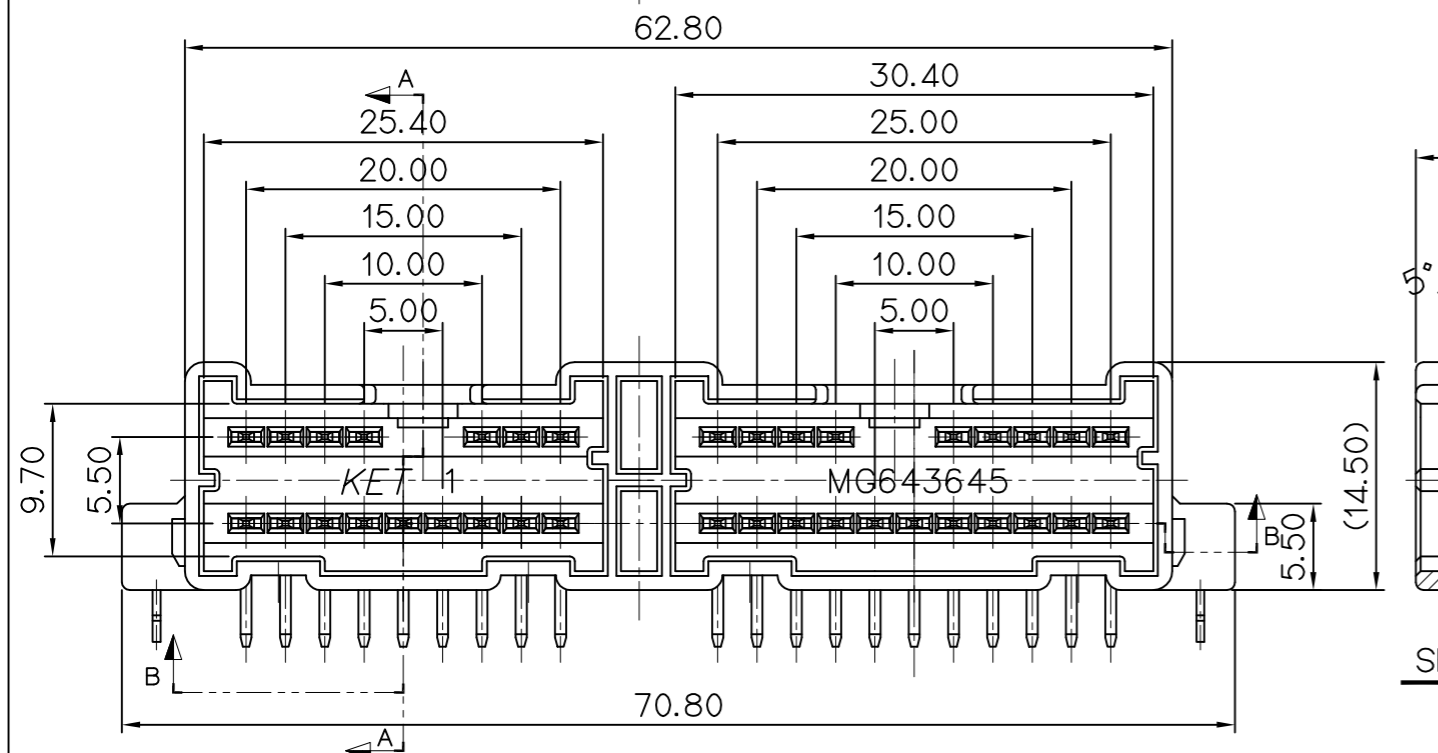
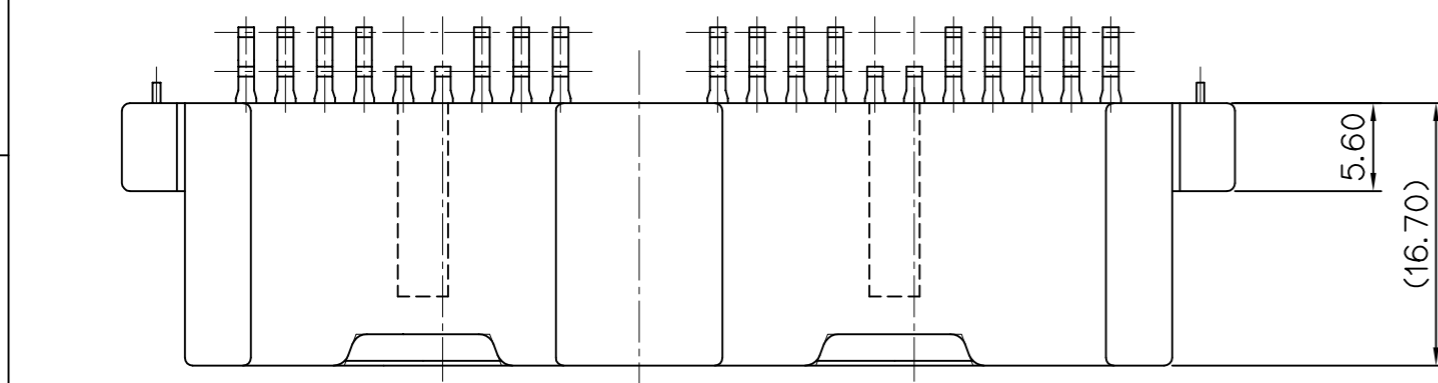


GENERAL TOLERANCE (TERMINAL)					GENERAL TOLERANCE (HOUSING)							USED ON
10MAX	20MAX	45MAX	ANGLE	ECCENT	10MAX	50MAX	100MAX	250MAX	250VR	ANGLE	ECCENT	
±0.2	±0.25	±0.3	±30'	0.1	±0.2	±0.3	±0.55	±0.95	±1.4	±30'	0.1	



주 기

- 지시하지 않은 반경 R은 0.3로 한다
- 기능상 유해한 BURR등 변형이 없을것.
- 적용 PLUG HOUSING : MG653019(16P), MG653026(20P)

NOTE

- UNLESS OTHERWISE SPECIFIED ALL RADII TO BE 0.3 RADIOUS
- MUST BE FREE OF FLASH, SINK AND IMPERFECTION THAT AFFECT FUNCTION.
- MATING PLUG HOUSING : MG653019(16P), MG653026(20P)



NO.	PART NAME	MATERIAL	FINISH	Q'TY
①	040III 36M PCB HOUSING (HZZ-PCB LOCK)	PBT	NATURAL	1 EA
②	040III PCB TAB TERMINAL (L)	BRASS	PRE-TIN	16 EA
③	040III PCB TAB TERMINAL (S)		PRE-TIN	20 EA
④	0407 PCB 26P STEEL LOCK		PRE-TIN	2 EA

MATERIAL		SEE TABLE	
FINISH		SEE TABLE	
WIRE RANGE			CLASS 040III
INSULATION			TYPE 040
TOLERANCE EXCEPT AS NOTED		SEE TABLE	PART NO. MG643645
SCALE		2/1	
PART NAME		040III 36M PCB ASSY (HZZ-PCB LOCK)	
LTR	REVISION RECORD	DR. SHIN '05.03.21.	CHK. KO. '05.03.21
CHK. K.J.KIM.	3/22	APP. C.H.KIM.	3/22

ISSUE MARK

KET KOREA ELECTRIC TERMINAL CO., LTD.