

GENERAL TOLERANCE (TERMINAL)					GENERAL TOLERANCE (HOUSING)							USED ON
10MAX	20MAX	45MAX	ANGLE	ECCENT	10MAX	50MAX	100MAX	250MAX	250VR	ANGLE	ECCENT	
±0.2	±0.25	±0.3	±30'	0.1	±0.2	±0.3	±0.55	±0.95	±1.4	±30'	0.1	

NO.	PART NAME	PART NO.	ASSEMBLY
1	040III 16M PCB ASSY (HZT-PCB LOCK)	MG643643	① + ② + ④ + ⑥
2		MG643643T	① + ③ + ⑤ + ⑥

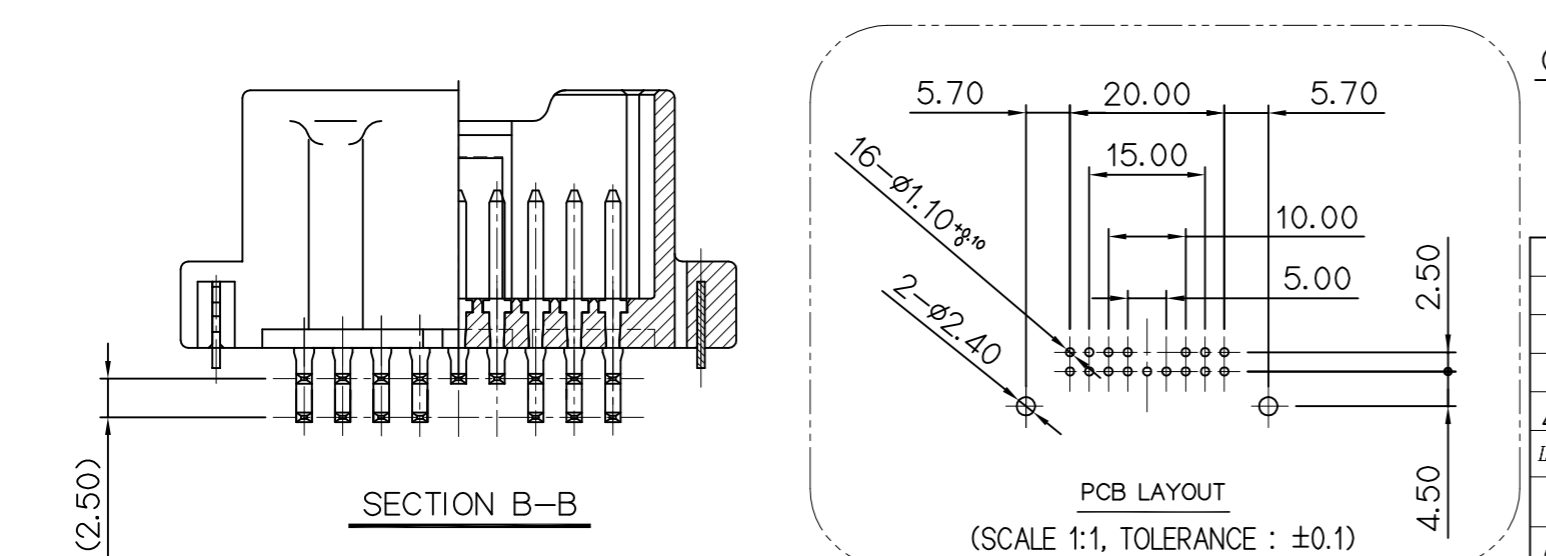
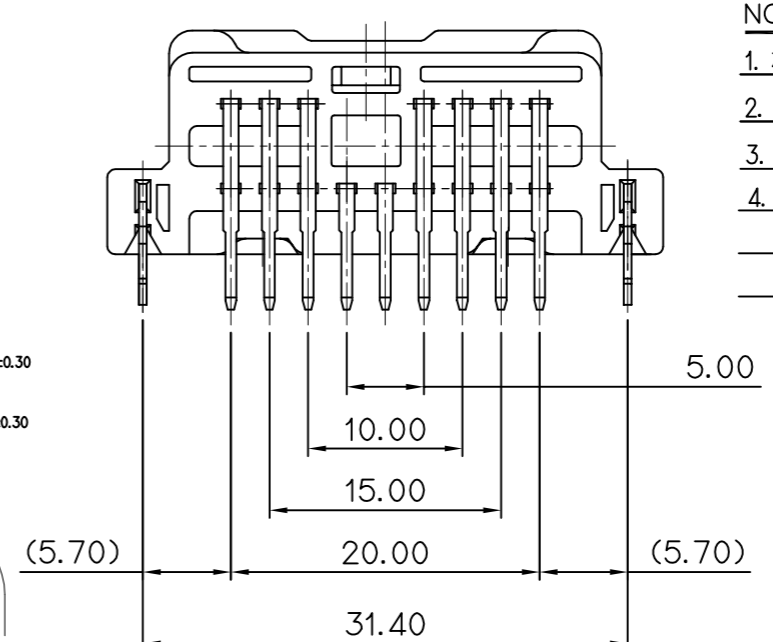
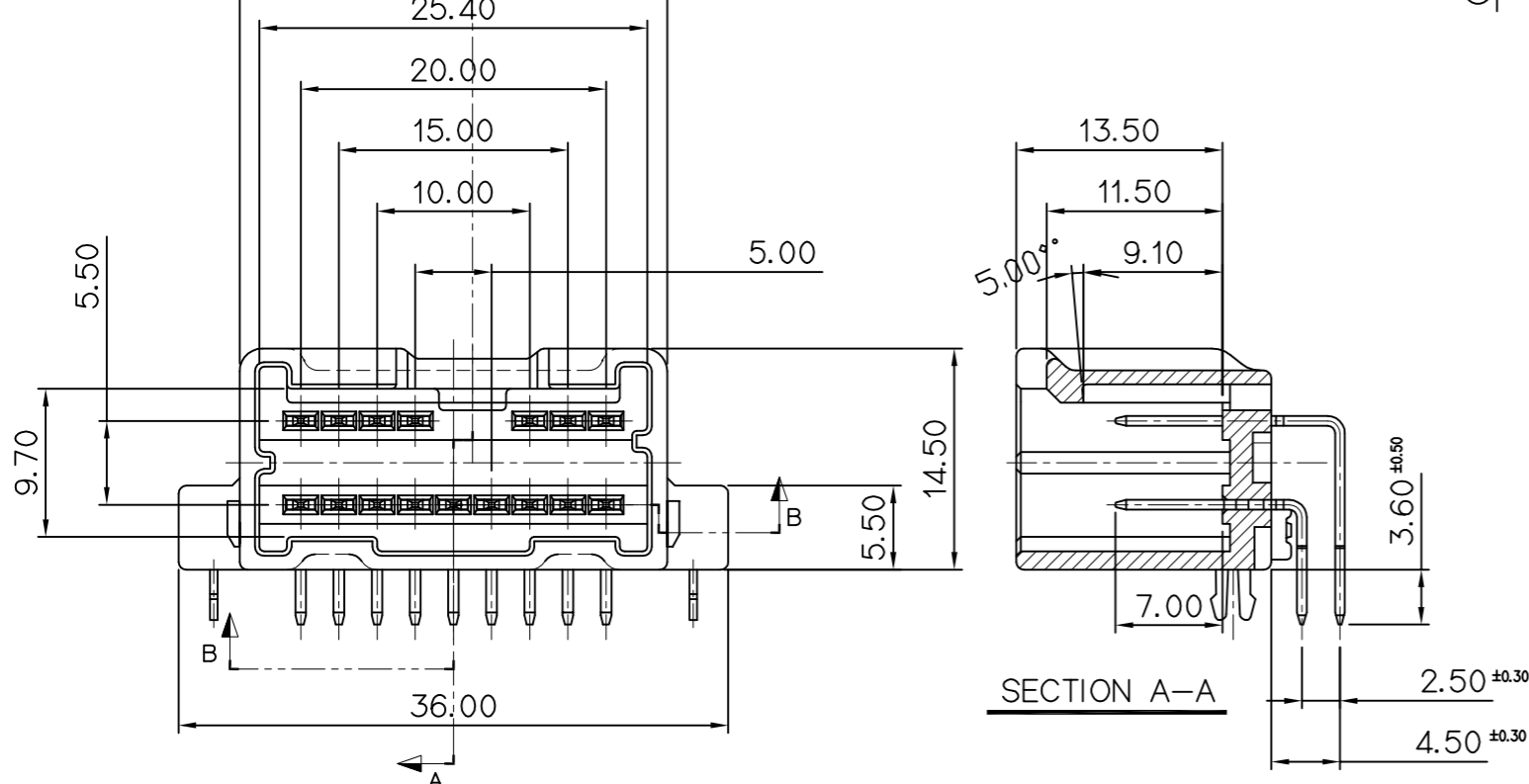
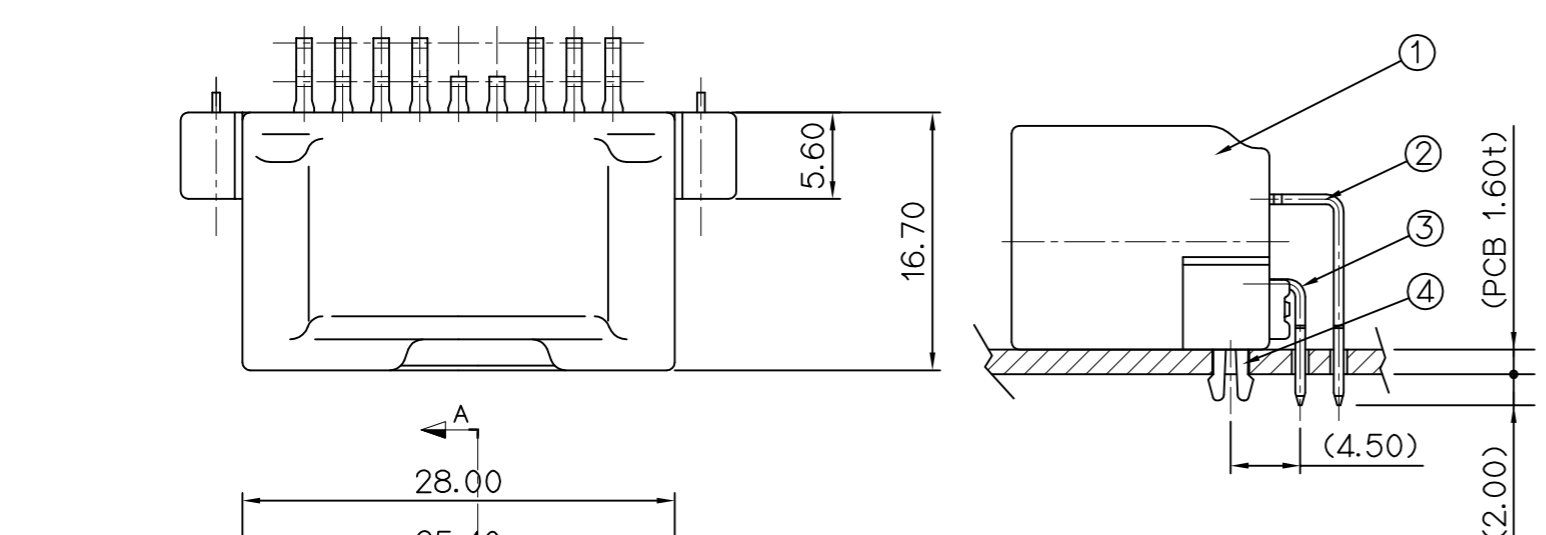
NO.	PART NAME	MATERIAL	FINISH	Q'TY
①	040III 16M PCB HOUSING (HZT-PCB LOCK)	PBT	NATURAL	1EA
②	040III PCB TAB TERMINAL (L)	BRASS	PRE-TIN	7EA
③		BRASS	UNPLATE TIN	7EA
④	040III PCB TAB TERMINAL (S)	BRASS	PRE-TIN	9EA
⑤		BRASS	UNPLATE TIN	9EA
⑥	0407 PCB 26P STEEL LOCK	BRASS	PRE-TIN	2EA

NOTE

- UNLESS OTHERWISE SPECIFIED ALL RADII TO BE 0.3 RADIOUS
- MUST BE FREE OF FLASH, SINK AND IMPERFECTION THAT AFFECT FUNCTION.
- MATING PLUG HOUSING : MG653019
- 6 HAZARDOUS SUBSTANCES IN PARTS (LEAD, MERCURY, CADMIUM, PBBs, PBDEs, HEXAVALENT CHROMIUM) SHALL NOT EXCEED THE MAXIMUM PERMISSIBLE CONCENTRATION PRESCRIBED UNDER EU ELV DIRECTIVE & RoHS REGULATION.

NOTE

- 지시하지 않은 반경 R은 0.3로 한다
- 기능상 유해한 BURR 등 변형이 없을것.
- 적용 PLUG HOUSING : MG653019
- 제품내 함유된 6대 유해물질 (납, 수은, 카드뮴, 6가크롬, PBBs, PBDEs)은 EU ELV 지침 및 RoHS 법규에서 지정한 최대허용농도를 초과해서는 안된다.



REVISION RECORD					MATERIAL		FINISH		WIRE RANGE		INSULATION		SCALE		PART NO.	
LTR	DR.	CHK.	APP.	DATE	SEE TABLE	SEE TABLE	SEE TABLE	SEE TABLE	2/1	MG643643,3643T						
SHIN	SHIN			'05.03.21	SEE TABLE	SEE TABLE	SEE TABLE	SEE TABLE	2/1	MG643643,3643T						
3/23				3/23	SEE TABLE		SEE TABLE		2/1		PART NAME					
					040III 16M PCB ASSY (HZT - PCB LOCK)											

ISSUE MARK



CLASS 040III

TYPE

PART NO. MG643643,3643T