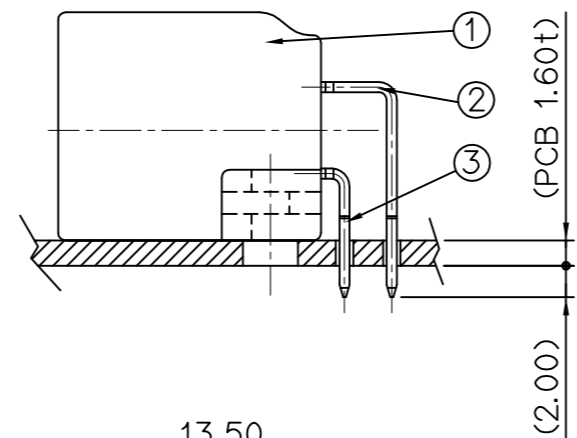
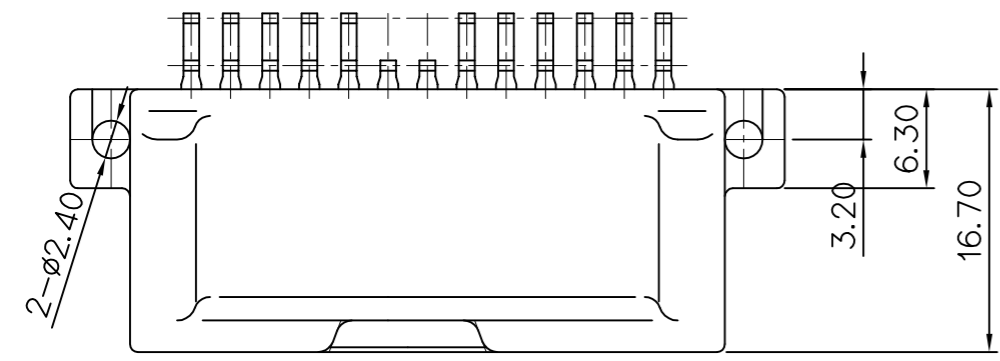


GENERAL TOLERANCE (TERMINAL)								GENERAL TOLERANCE (HOUSING)							USED ON
1 MAX	5 MAX	10 MAX	20 MAX	45 MAX	45 VR	ANGLE	ECCENT	10MAX	50MAX	100MAX	250MAX	250VR	ANGLE	ECCENT	
±0.1	±0.15	±0.2	±0.25	±0.3	±0.5	±30'	0.1	±0.2	±0.3	±0.55	±0.95	±1.4	±30'	0.1	



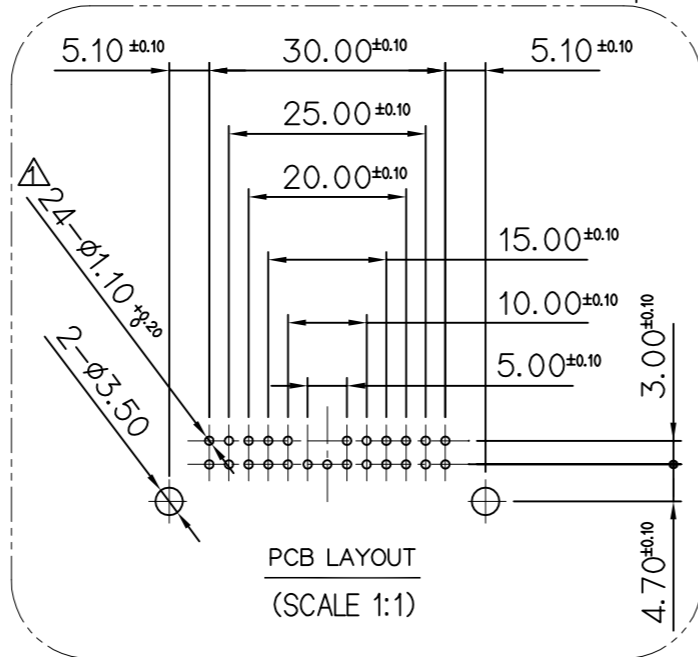
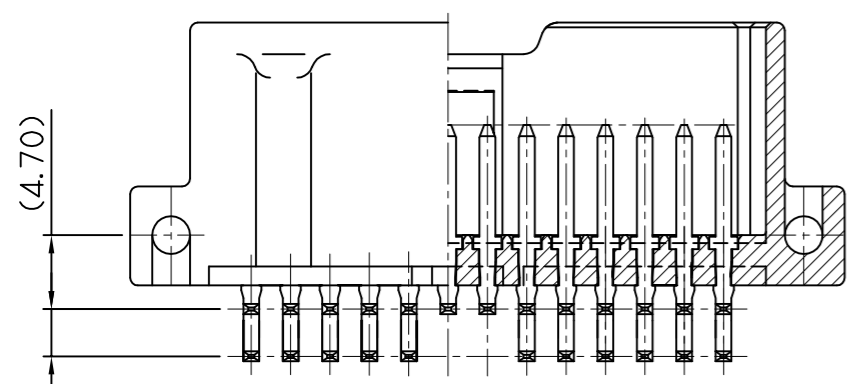
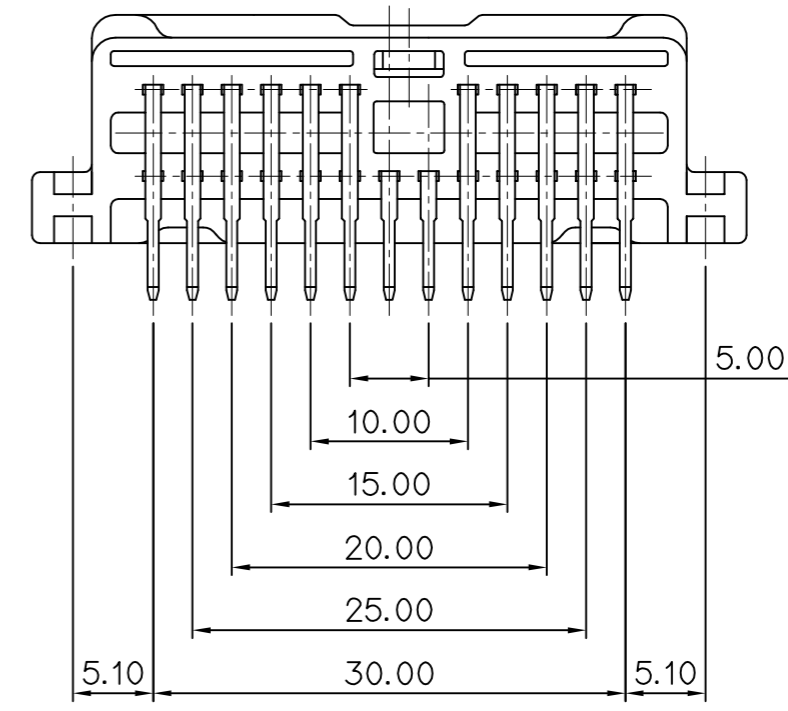
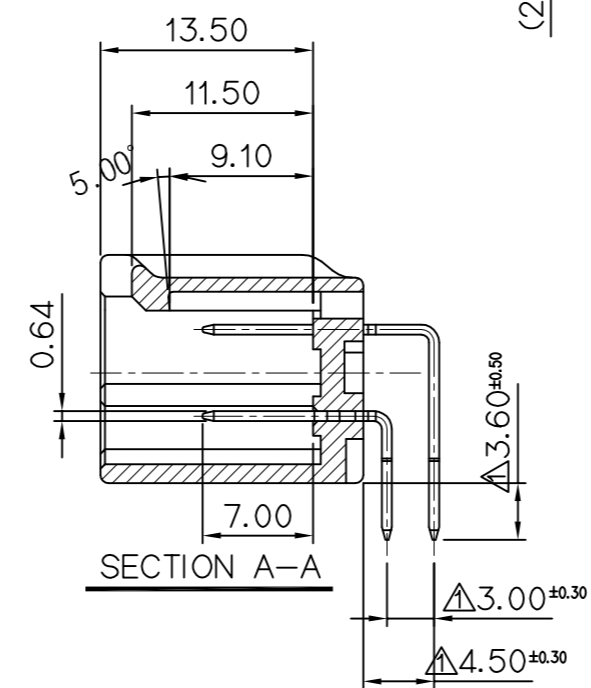
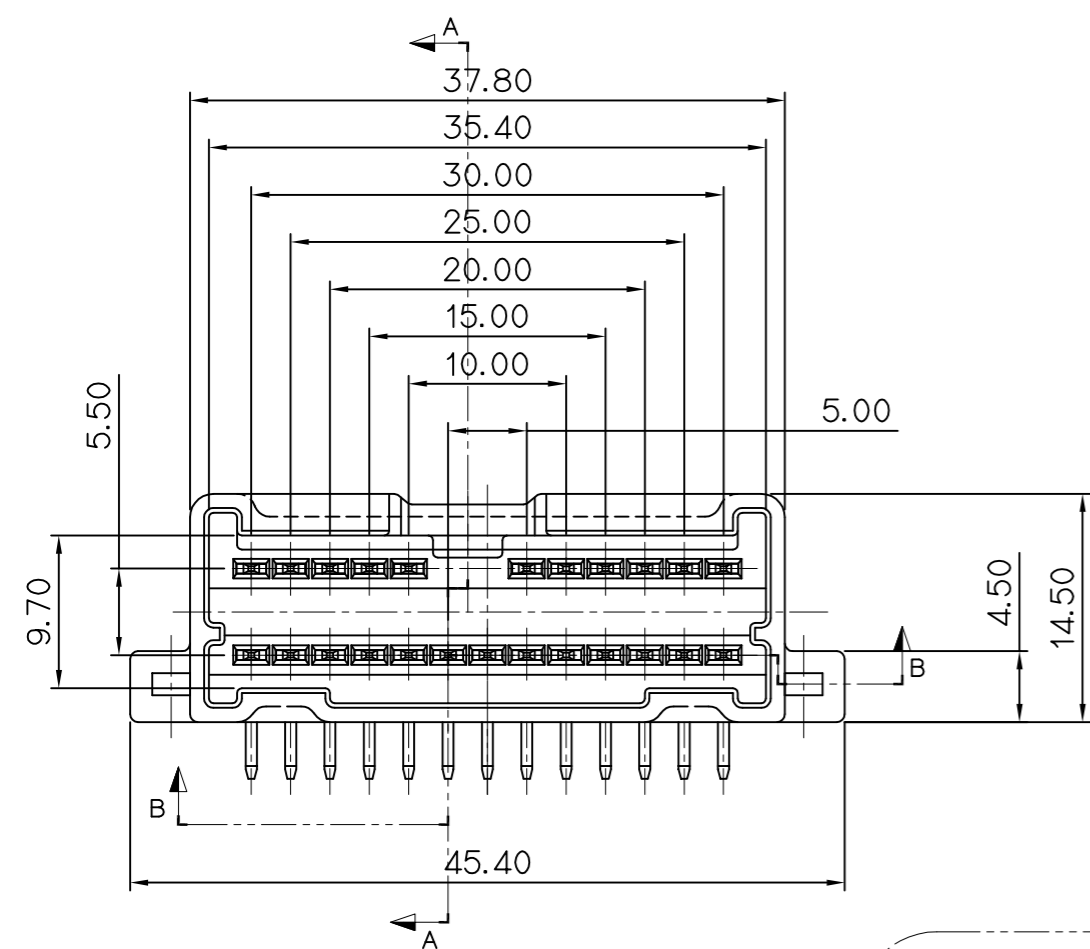
NO.	PART NAME	MATERIAL	FINISH	Q'TY
①	040III PCB 24P REC' HS'G (HZT - B TYPE)	PBT	GRAY	1EA
②	040III PCB TAB TERMINAL (L)	BRASS	PRE-TIN	11EA
③	040III PCB TAB TERMINAL (SS)		PRE-TIN	13EA

NOTE

1. 지시하지 않은 반경 R은 0.3로 한다
2. 기능상 유해한 BURR등 변형이 없을것.
3. 적용 PLUG HOUSING : MG653537
4. 적용 SCREW : M3 일반나사

NOTE

1. UNLESS OTHERWISE SPECIFIED ALL RADII TO BE 0.5 RADIOUS
2. MUST BE FREE OF FLASH, SINK AND IMPERFECTION THAT AFFECT FUNCTION.
3. MATING PLUG HOUSING : MG653537
4. APPLICABLE MOUNTING SCREW : M3 SCREW



ISSUE MARK

		MATERIAL		SEE TABLE	KET ENGINEERED	KOREA ELECTRIC TERMINAL CO., LTD.	
		FINISH		SEE TABLE		CLASS 040III	
		WIRE RANGE			TYPE		
		INSULATION			PART NO. MG643535		
△	BENDING부 관리공차 수정	SHIN		'05.03.06	SCALE 2/1		
LTR	REVISION RECORD	DR.	CHK.	APP.	DATE	TOLERANCE EXCEPT AS NOTED	
DR.	SHIN '04.10.18.	CHK.	KO.	'04.10.18.	PART NAME		
CHK.	K.J.KIM. 10/18	APP.	C.H.KIM.	10/18	040III PCB 24P CONN'T ASS'Y (HZT- B TYPE)		