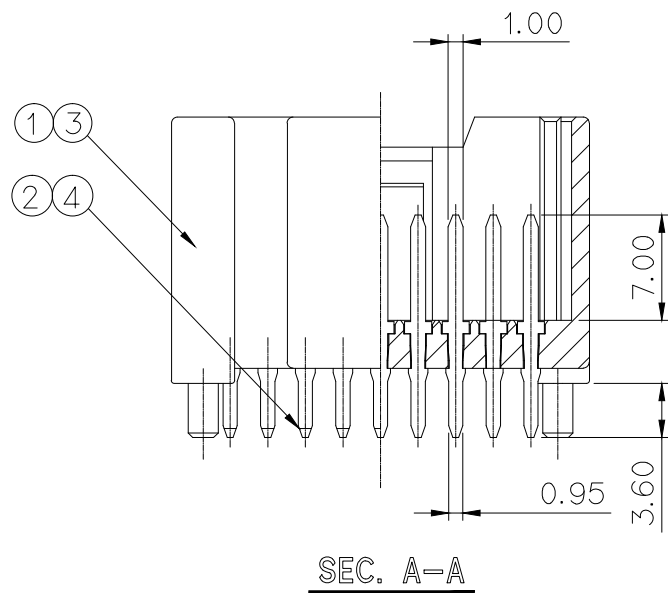
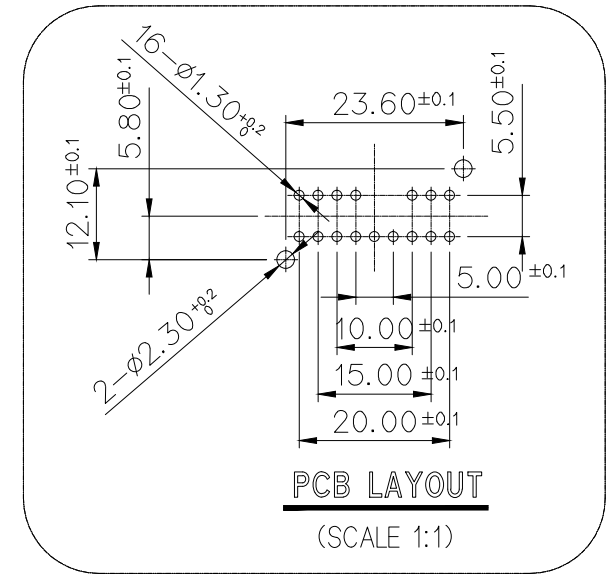
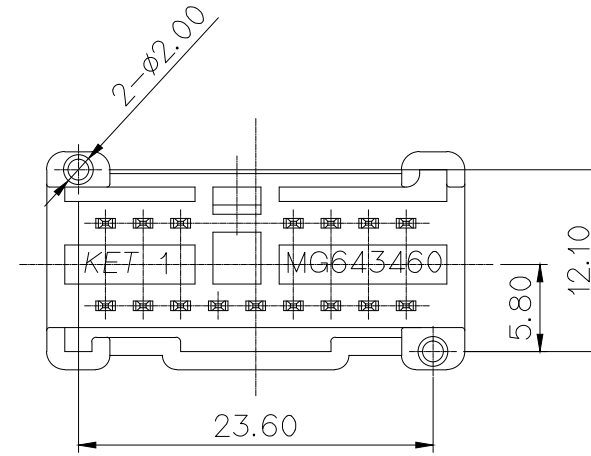
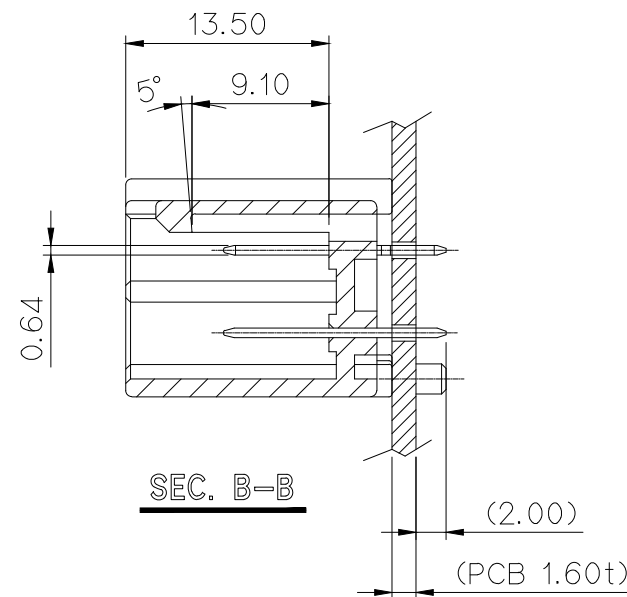
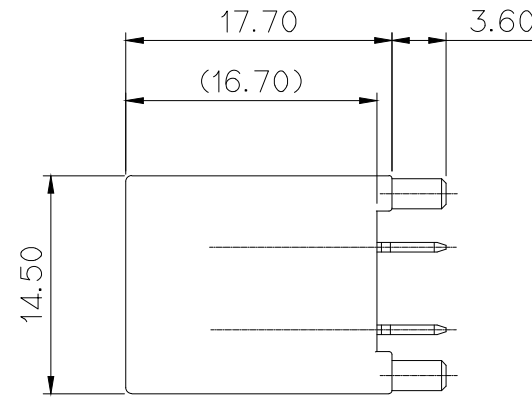
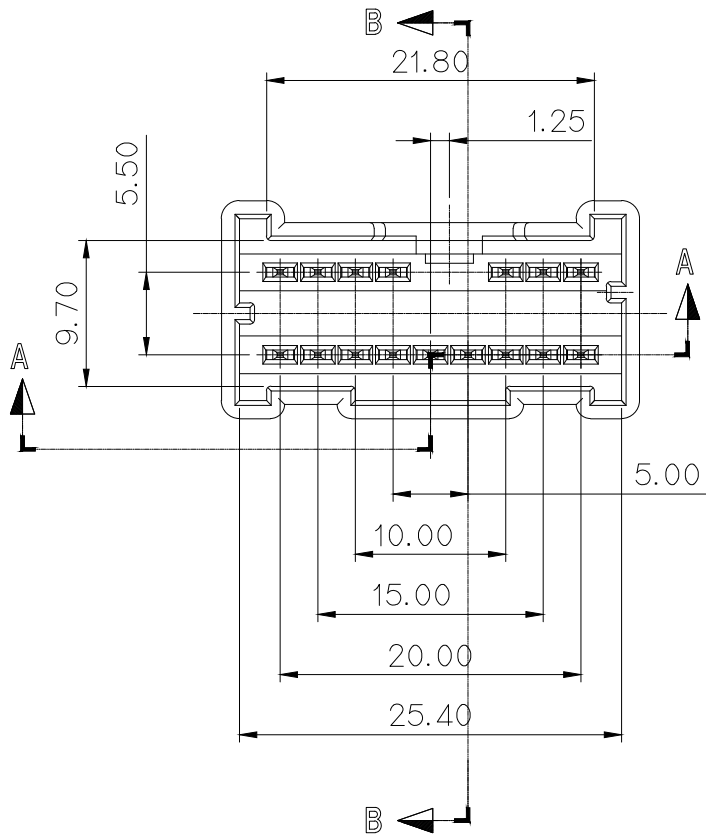
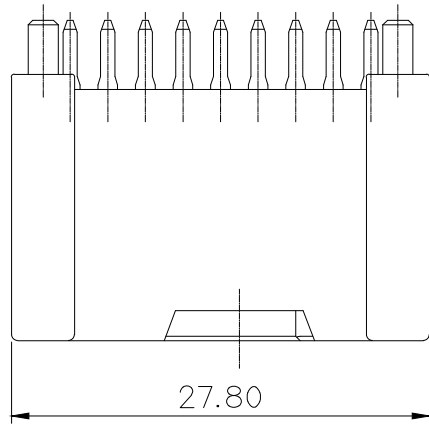


PART NO. SEE TABLE

CUSTOMER DRAWING

GENERAL TOLERANCE (TERMINAL)					GENERAL TOLERANCE (HOUSING)							USED ON
10MAX	20MAX	45MAX	ANGLE	ECCENT	10MAX	50MAX	100MAX	250MAX	250VR	ANGLE	ECCENT	
±0.2	±0.25	±0.3	±30'	0.1	±0.2	±0.3	±0.55	±0.95	±1.4	±30'	0.1	



NO.	ASSY PART NAME	ASSY PART No	구성품 내역				
			NO.	PART NAME	MATERIAL	FINISH	Q'TY
1	040III 16M PCB CONN'T(VRT)	MG643460	①	040III 16M PCB HS'G	PBT	NATURAL	1 EA
			②	040III PCB TAB TM'L(14.80사양)	BRASS	PRE-TIN	16 EA
2	040III 16M PCB CONN'T(VRT)	△MG643460-5F	③	040III 16M PCB HS'G	PBT	BLACK	1 EA
			④	040III PCB TAB TM'L(14.80사양)	BRASS	Sn 후도금(무광)-Reflow	16 EA

NOTE

- 지시하지 않은 반경 R은 0.3로 한다
- 기능상 유해한 BURR등 변형이 없을것.
- 적용 PLUG HOUSING : MG653019
- △ MG643460-5F 단자 주석 도금 - TYPE A Sn(무광택), (MS915-01) Ni 하지도금 + Sn(무광) + Reflow
- △ 5. 제품내 함유된 6대 유해물질 (납,수은,카드뮴,6가크롬,PBBs,PPDEs)은 EU ELV 지침 및 RoHS 법규에서 지정한 최대 허용 농도를 초과해서는 안된다

NOTE

- UNLESS OTHERWISE SPECIFIED ALL RADII TO BE 0.5 RADIOUS
- MUST BE FREE OF FLASH, SINK AND IMPERFECTION THAT AFFECT FUNCTION.
- MATING PLUG HOUSING : MG653019
- △ MG643460-5F TIN-PRATED TERMINAL - TYPE A Sn(MATTE), (MS915-01) Ni-PLATED UNDER + Sn(MATTE) + Reflow
- △ 5. 6 HAZARDOUS SUBSTANCES IN PARTS (LEAD, MERCURY, CADMIUM, HEXAVALENT CHROMIUM, PPBs, PPDEs) SHALL NOT EXCEED THE MAXIMUM PERMISSIBLE CONCENTRATION PRESCRIBED UNDER EU ELV DIRECTIVE & RoHS REGULATION.

MATERIAL	SEE TABLE		KOREA ELECTRIC TERMINAL CO., LTD.
FINISH	SEE TABLE		
WIRE RANGE		CLASS	040III
INSULATION		TYPE	
TOLERANCE EXCEPT AS NOTED	SEE TABLE	SCALE	2/1
PART NAME	040III PCB 16M ASS'Y (VRT)		
REVISION RECORD	DR. SHIN '04.12.14.	CHK. KO '04.12.16.	
	CHK. K.J.KIM '04.12.16.	APP. C.H.KIM '04.12.17.	

APPROVED

2018-12-07

KOREA ELECTRIC TERMINAL CO., LTD.
Korea Electric Terminal Co., LTD.

ISSUE MARK

DIMENSIONS IN MM