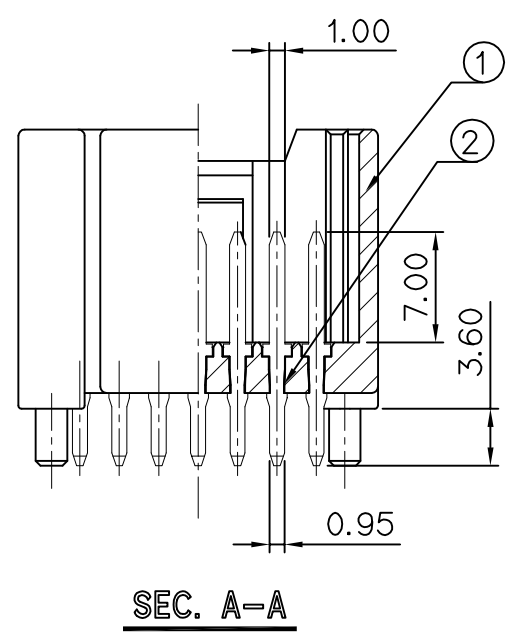
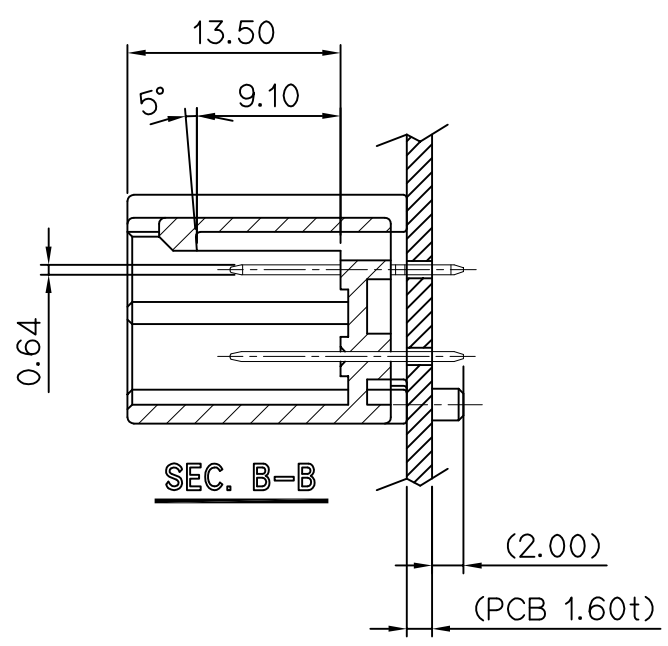
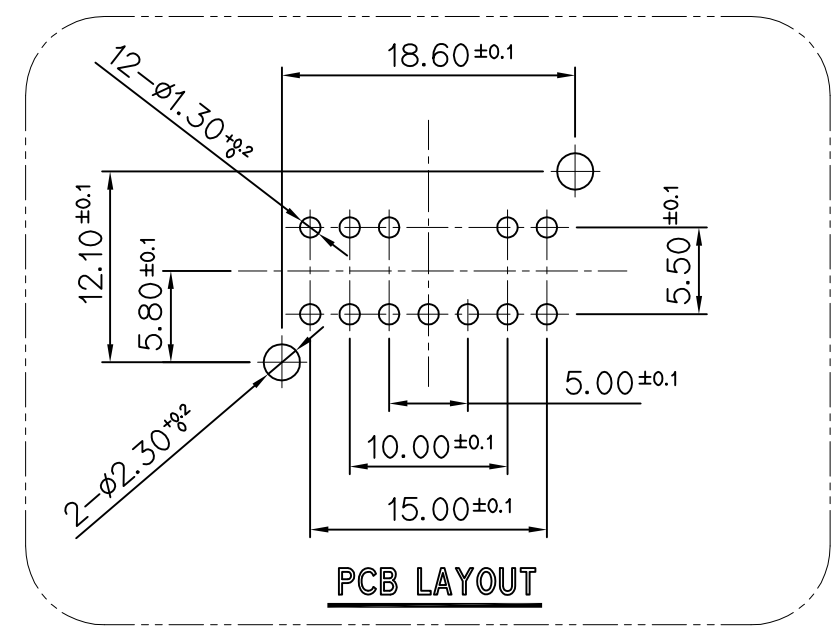
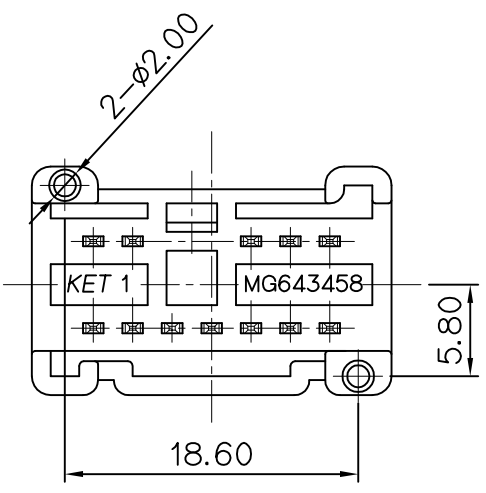
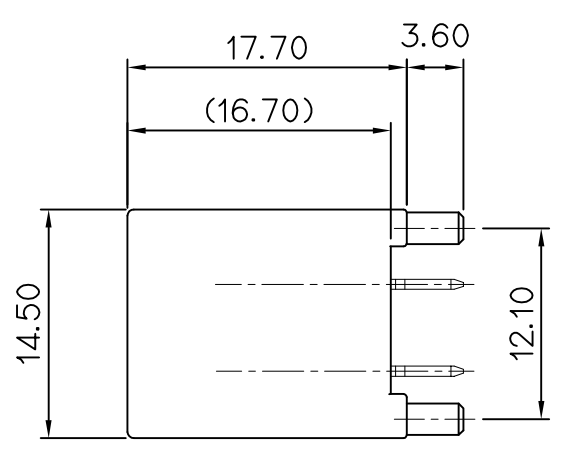
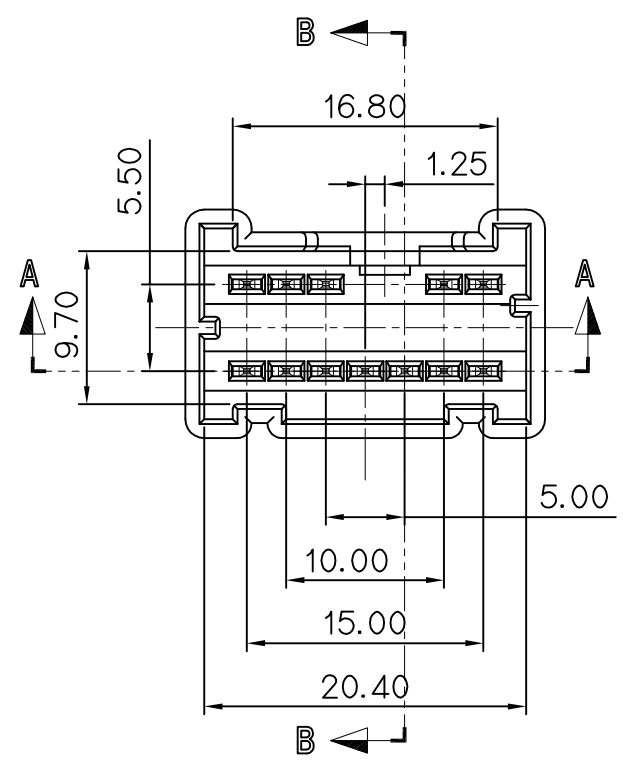
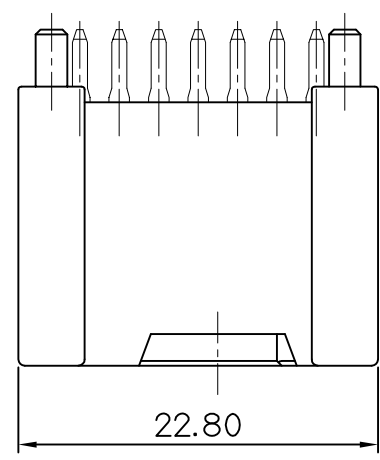


GENERAL TOLERANCE (TERMINAL)					GENERAL TOLERANCE (HOUSING)							USED ON
10MAX	20MAX	45MAX	ANGLE	ECCENT	10MAX	50MAX	100MAX	250MAX	250VR	ANGLE	ECCENT	
±0.2	±0.25	±0.3	±30'	0.1	±0.2	±0.3	±0.55	±0.95	±1.4	±30'	0.1	

NO.	PART NAME	MATERIAL	FINISH	Q'TY
①	040III 12M PCB HOUSING	PBT	NATURAL	1 EA
②	040III PCB TAB TERMINAL(14.80mm)	BRASS	PRE-TIN	12 EA



NOTE

1. 지시하지 않은 반경 R은 0.3로 한다
2. 기능상 유해한 BURR등 변형이 없을것.
3. 적용 PLUG HOUSING : MG653012

NOTE

1. UNLESS OTHERWISE SPECIFIED ALL RADII TO BE 0.5 RADIOUS
2. MUST BE FREE OF FLASH, SINK AND IMPERFECTION THAT AFFECT FUNCTION.
3. MATING PLUG HOUSING : MG653012



ISSUE MARK

MATERIAL	SEE TABLE		KET KOREA ELECTRIC TERMINAL CO., LTD.
FINISH	SEE TABLE		
WIRE RANGE		CLASS	040III
INSULATION		TYPE	
LTR	REVISION RECORD	DR.	CHK.
DR.	SHIN '05.06.15.	CHK.	
CHK.	S.W.HWANG 6/15	APP.	K.J.KIM 6/15
TOLERANCE EXCEPT AS NOTED	SEE TABLE	SCALE	2/1
PART NAME	040III 12M PCB ASSY (VRT)		
PART NO.	MG643458		