

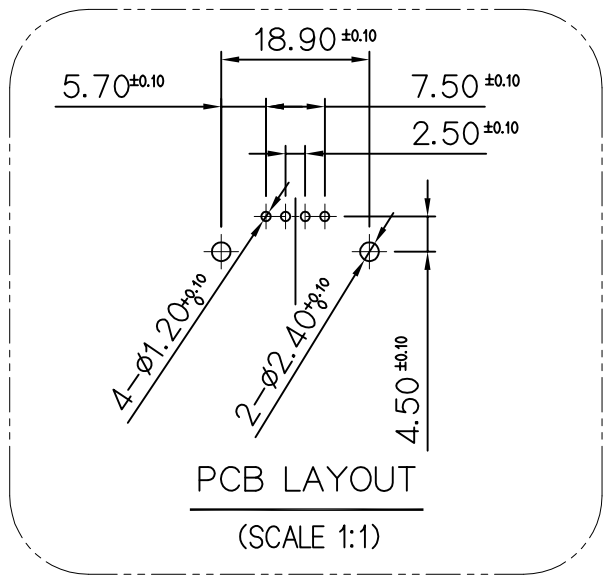
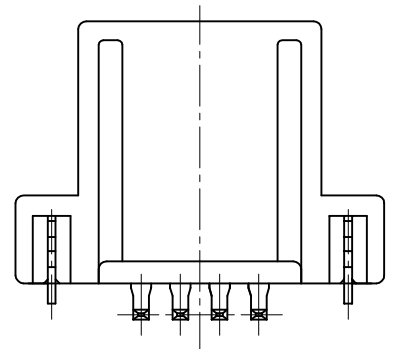
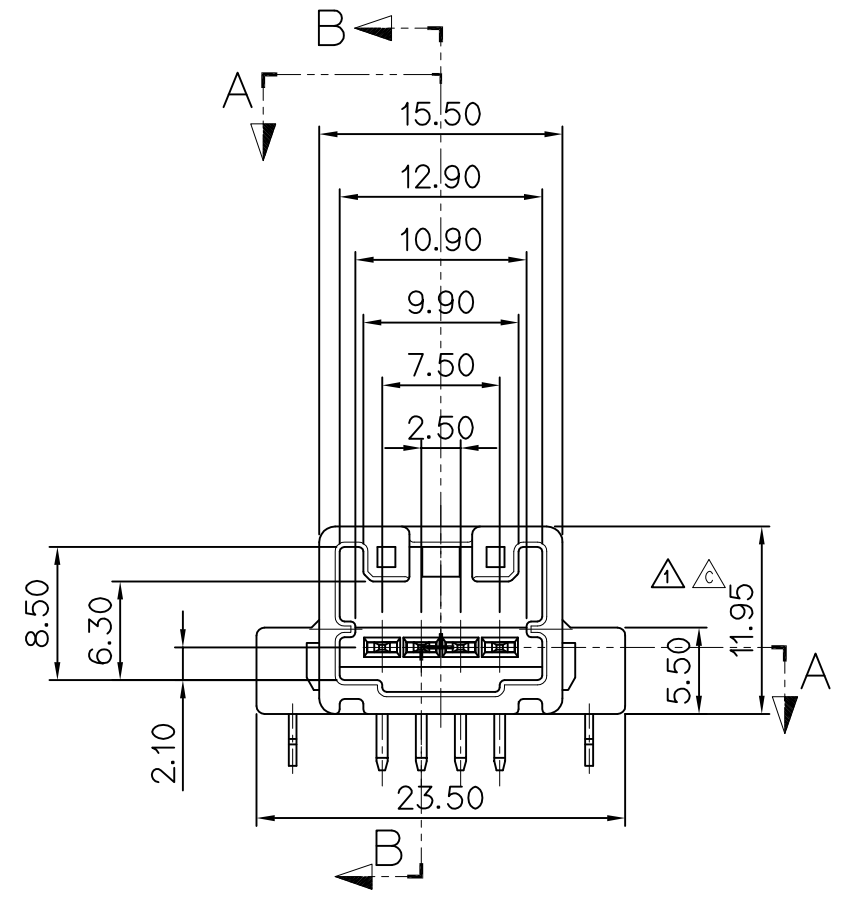
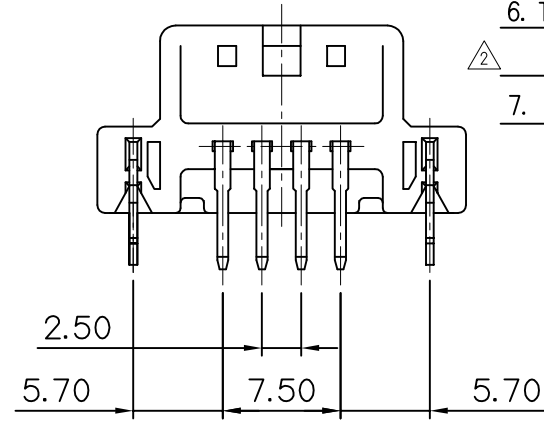
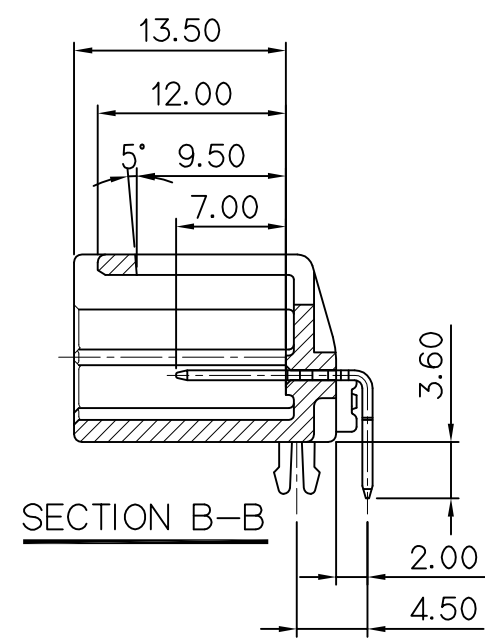
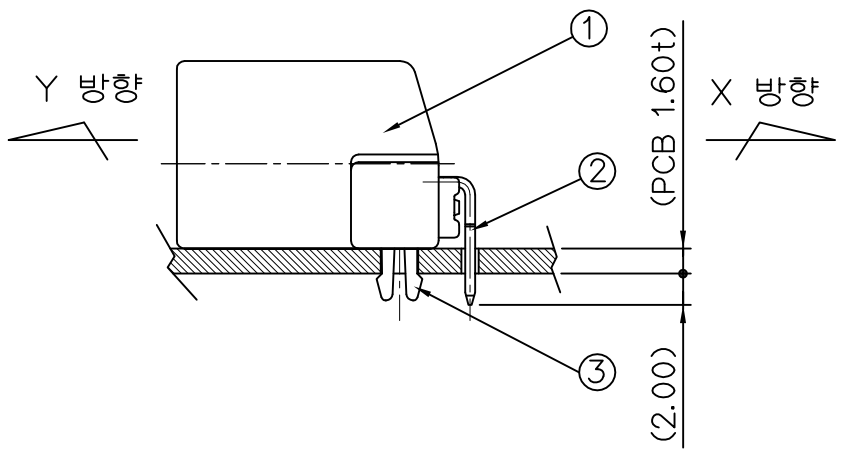
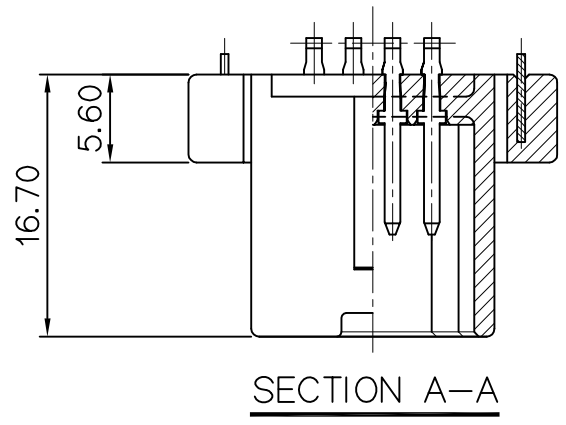
GENERAL TOLERANCE (TERMINAL)					GENERAL TOLERANCE (HOUSING)							USED ON
10 MAX	20 MAX	45 MAX	ANGLE	ECCENT	10 MAX	50 MAX	100 MAX	250 MAX	250 VR	ANGLE	ECCENT	
±0.2	±0.25	±0.3	±30'	0.1	±0.2	±0.3	±0.55	±0.95	±1.4	±30'	0.1	

주 기

1. 지시하지 않은 반경 R은 0.3로 한다.
2. 기능상 유해한 BURR등 변형이 없을 것.
3. 적용 PLUG HOUSING : MG652999
4. 본 제품은 ES-91500 항을 만족할 것.
5. TERMINAL 고착력 : "X"방향 6 Kgf 이상
"Y"방향 2 Kgf 이상
6. TERMINAL 도금사양 : TIN-PLATE
Sn 후도금 : 5~10um 동하지 : 3~5um
7. △ :고객이 지정한 관리 항목 치수 임.

NOTE

1. UNLESS OTHERWISE SPECIFIED ALL RADIUS TO BE 0.3 RADIUS.
2. MUST BE FREE OF FLASH, WELDLINE AND IMPERFECTION THAT AFFECT FUNCTION.
3. MATING PLUG HOUSING : MG652999
4. THE PRODUCT MUST MEET SPEC' NO. ES-91500
5. TERMINAL RETENSION FORCE: "X" DIRECTION 6 Kgf MIN
"Y" DIRECTION 2 Kgf MIN
6. TERMINAL PLATING SPEC' : TIN-PLATE
Sn PLATE : 5~10um GROUND BRONZE PLATE : 3~5um.
7. △ :CAPABILITY DIMENSION SYMBOL.



NO.	PART NAME	PART NO	MATERIAL	FINISH	Q'TY
①	040III PCB 4P REC' HS'G (HZT)	MG673141	PBT (TRIBIT 1503)	NATURAL	1 EA
②	040III PCB TAB TERMINAL (S)	△ST791742	C2600R-H	TIN-PLATE	4 EA
③	0407 PCB 26P STEEL LOCK	△ST790832	C2600R-H	PRE-TIN	2 EA

MATERIAL		SEE TABLE		KOREA ELECTRIC TERMINAL CO., LTD.
FINISH		SEE TABLE		
△	설계사양변경(S080258)근거 도면 재작성	CDH	WIRE RANGE	CLASS 040III
△	설계사양변경(S080153)근거 도면 재작성	KMH	INSULATION	TYPE
LTR	REVISION RECORD	DR. CHK. APP. DATE	TOLERANCE EXCEPT AS NOTED	SCALE 2/1
DR.	SHIN '04.05.07	CHK. BIN '04.05.07	SEE TABLE	PART NO. MG643403
CHK.	5/7	APP. 5/7	PART NAME 040III PCB 4P CONN'T ASS'Y (HZT-PCB LOCK)	

ISSUE MARK