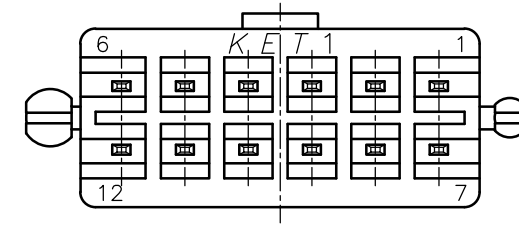
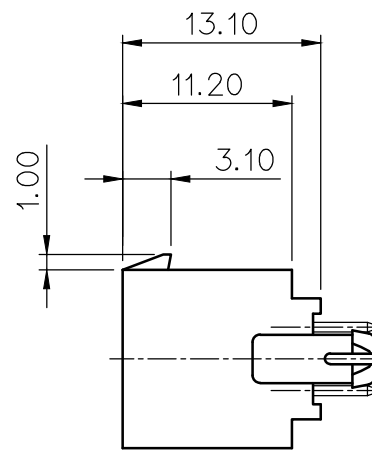
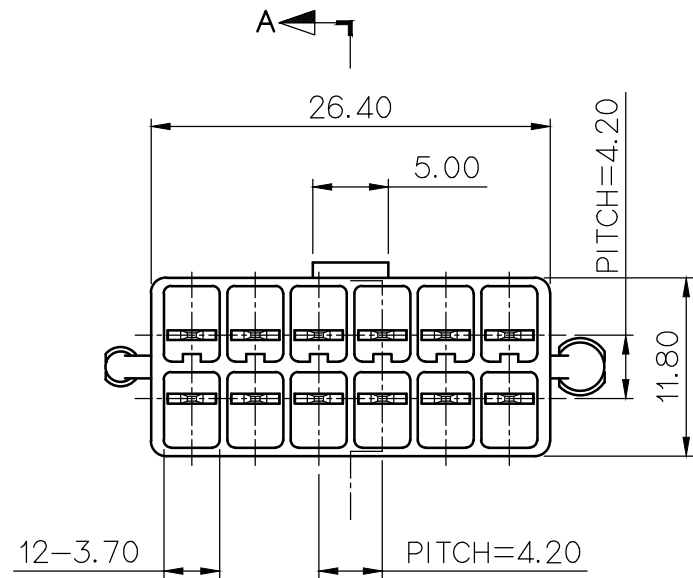
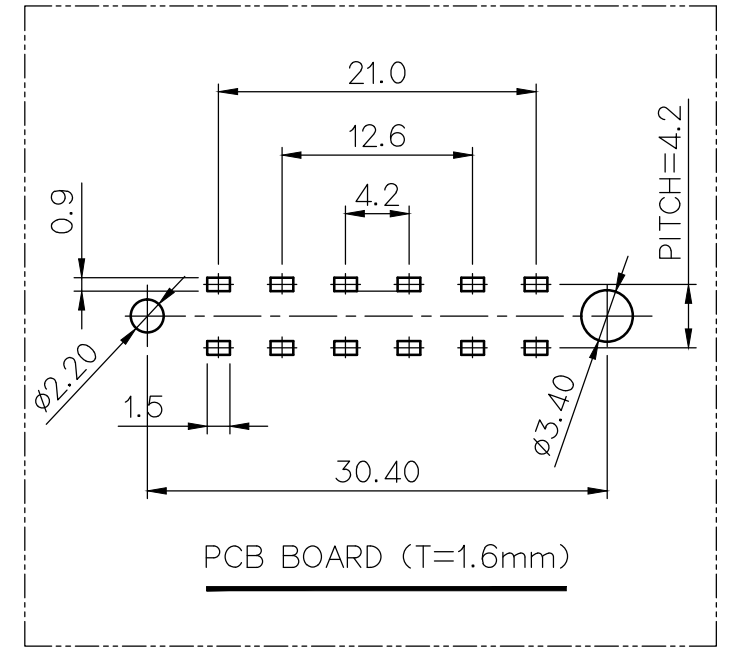
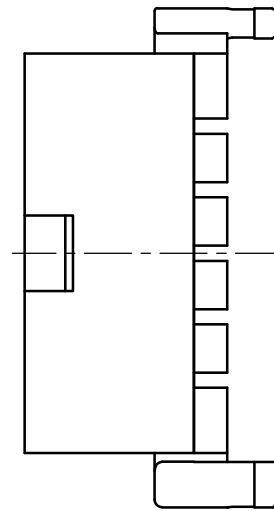
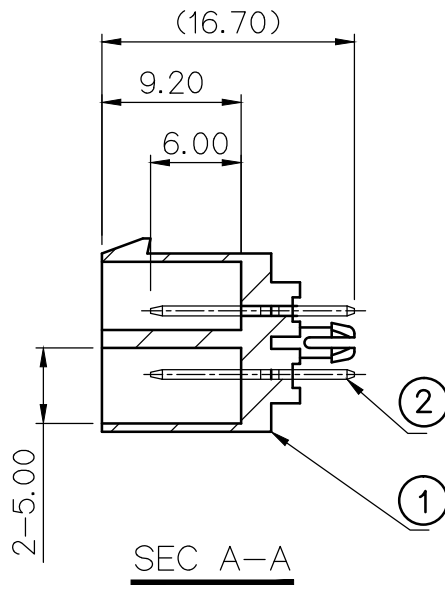
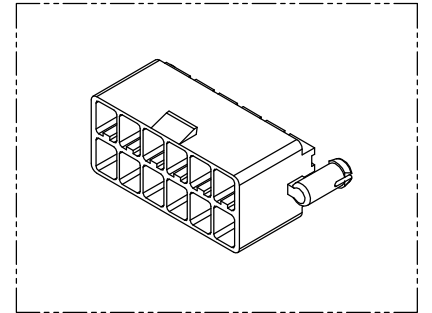


NO.	COLOR
0	NATURAL
1	RED
2	BLUE
3	YELLOW
5	BLACK
8	GREEN



주 기

- 기능상 유해한 FLASH, SINK, WELDLINE 등이 없을것.
- 적용 HOUSING: MG613371
- 제품내 함유된 6대 유해물질 (납,수은,카드뮴,6가크롬, PBBs,PBDEs)은 EU ELV 지침 및 RoHS 법규에서 지정한 최대 허용 농도를 초과해서는 안된다.





NOTE

- MUST BE FREE OF FLASH, SINK, WELDLINE AND IMPERFECTION THAT AFFECT FUNCTION.
- APPLICABLE HOUSING : MG613371
- 6 HAZARDOUS SUBSTANCES IN PARTS (LEAD, MERCURY, CADMIUM, HEXAVALENT CHROMIUM, PBBs, PBDEs) SHALL NOT EXCEED THE MAXIMUM PERMISSIBLE CONCENTRATION PRESCRIBED UNDER EU ELV DIRECTIVE & RoHS REGULATION.

GENERAL TOLERANCE (HOUSING)							USED ON
10MAX	50MAX	100MAX	250MAX	250VR	ANGLE	ECCENT	
±0.2	±0.3	±0.55	±0.95	±1.4	±30'	0.1	

NO.	PART NAME	PART NO	MATERIAL	FINISH	Q'TY
①	060 12P PCB HOUSING (VRT)	MG673373	PBT	NATURAL	1 EA
②	060 PCB TAB TERM'(VRT)	P901952	BRASS	PRE-TIN	12 EA

ISSUE MARK

		MATERIAL		PBT		 KET KOREA ELECTRIC ENGINEERED TERMINAL CO., LTD.
		FINISH		SEE TABLE		
		WIRE RANGE				CLASS
		INSULATION				TYPE
 설계사양변경(S110128)근거 도면 제작성	DR.	CHK.	APP.	DATE	'11.04.28	TOLERANCE EXCEPT AS NOTED SEE TABLE SCALE 2/1 PART NO. MG643372
LTR	REVISION RECORD	DR.	CHK.	APP.	DATE	
DR.	LSY 04. 08. 16	CHK.				
CHK.		8/17	APP.		8/17	PART NAME 060 PCB 12M CONN'T ASS'Y(VRT)