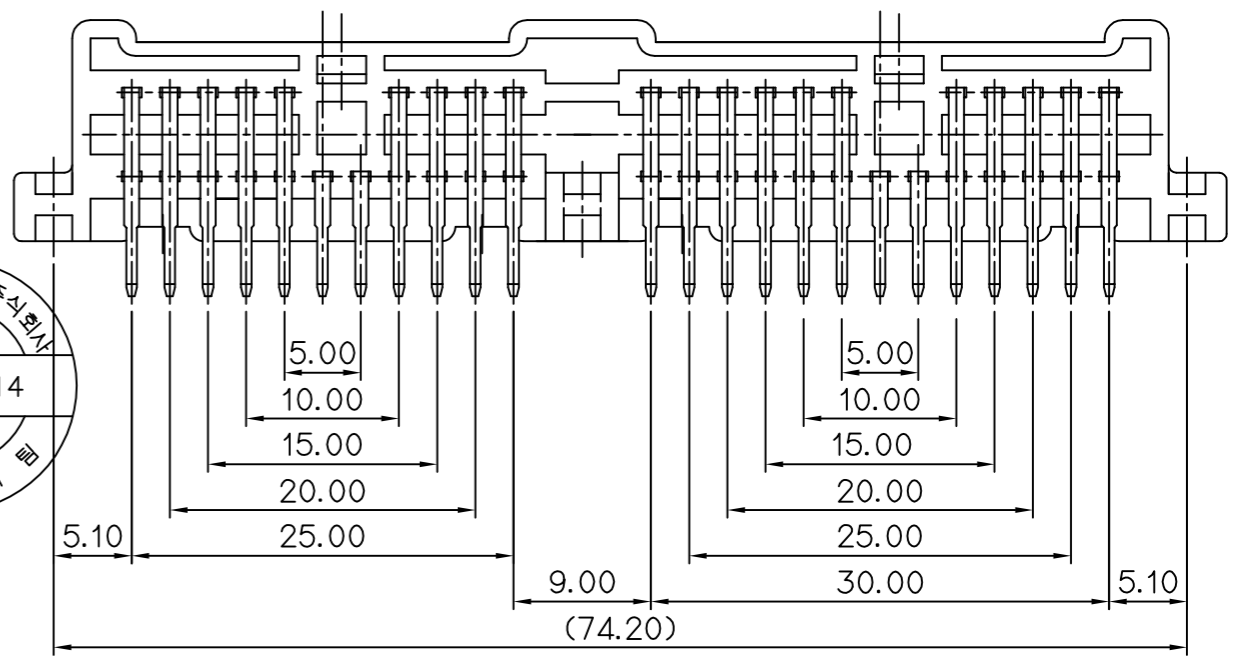
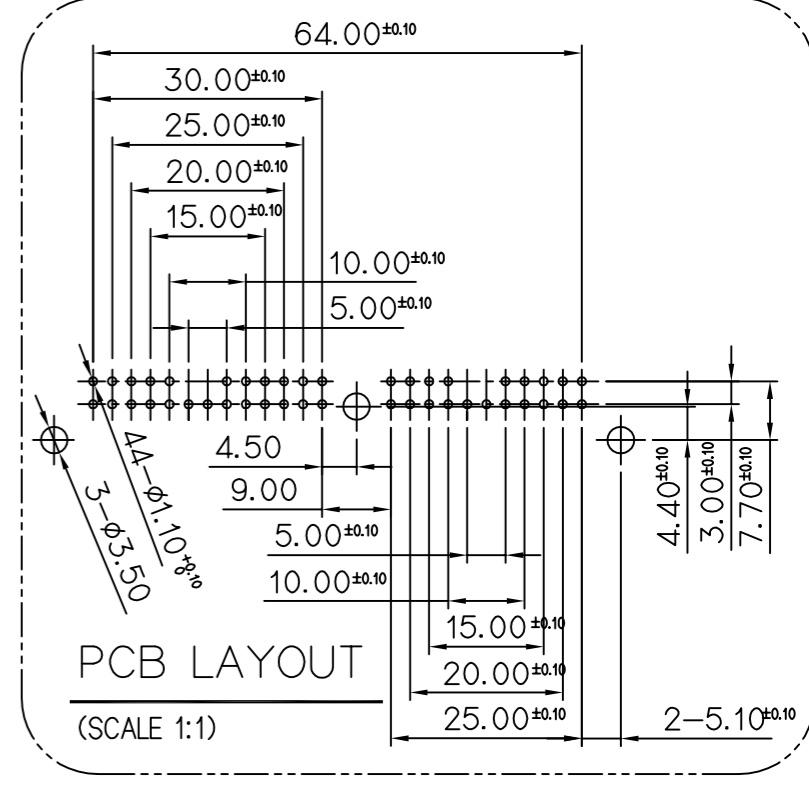
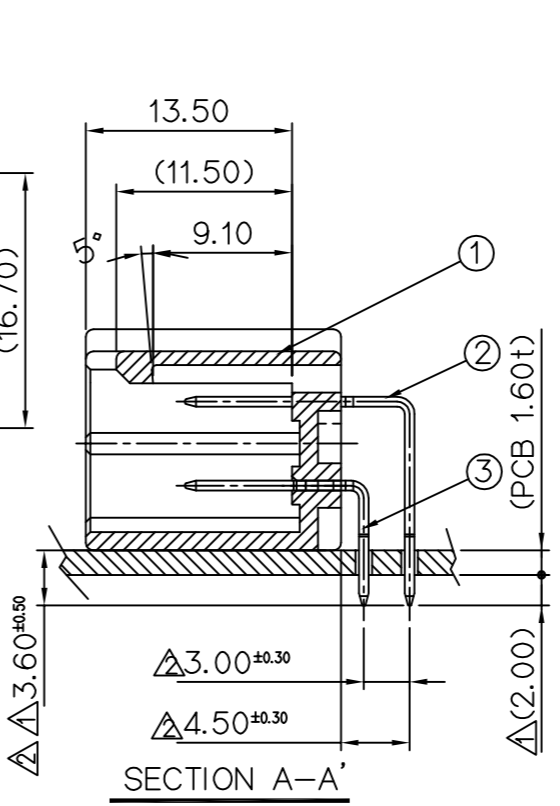
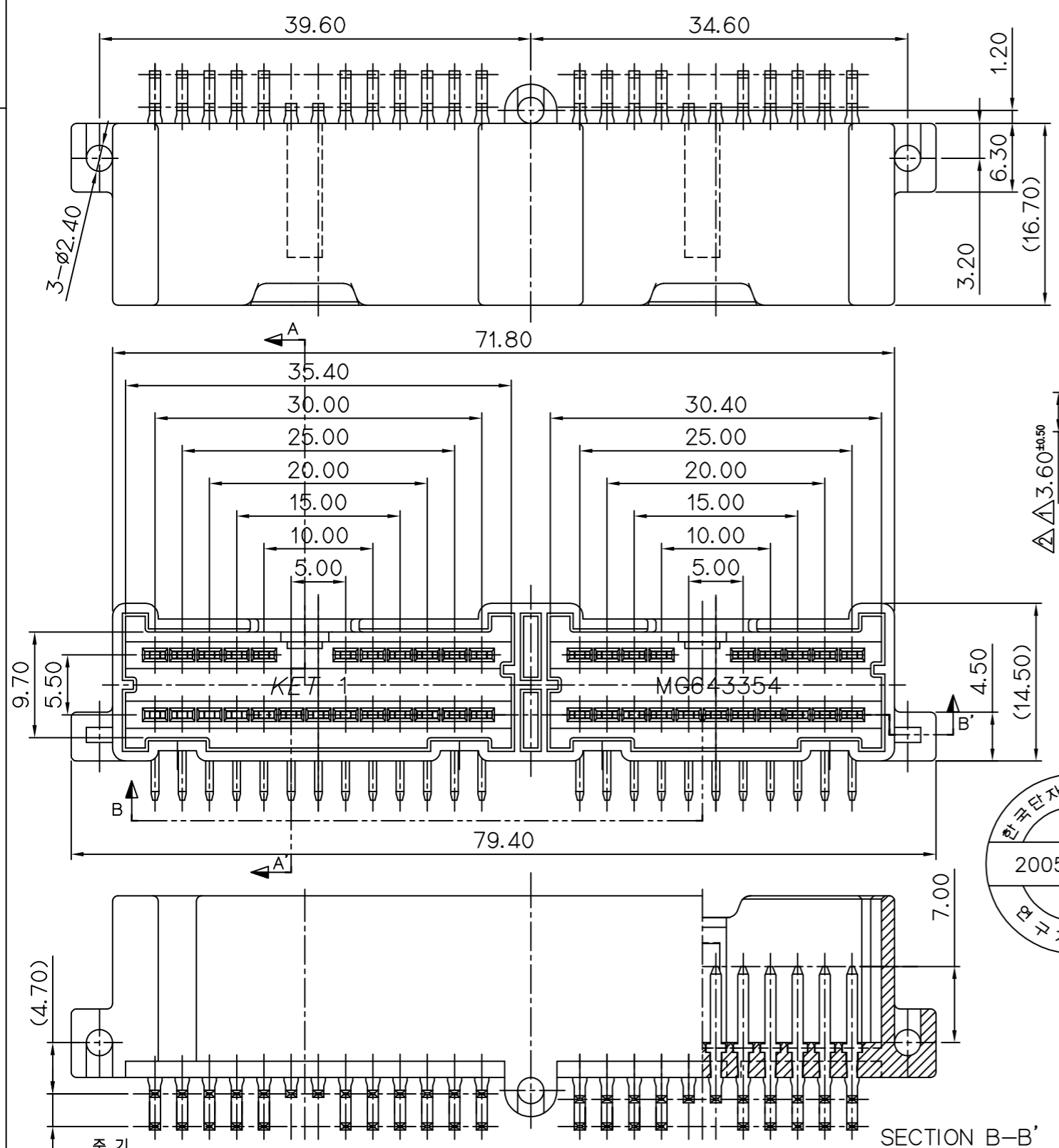


GENERAL TOLERANCE (TERMINAL)					GENERAL TOLERANCE (HOUSING)							USED ON
10MAX	20MAX	45MAX	ANGLE	ECCENT	10MAX	50MAX	100MAX	250MAX	250VR	ANGLE	ECCENT	
±0.2	±0.25	±0.3	±30'	0.1	±0.2	±0.3	±0.55	±0.95	±1.4	±30'	0.1	



- 주 기
1. 지시하지 않은 반경 R은 0.3로 한다
  2. 기능상 유해한 BURR 등 변형이 없을것.
  3. 적용 PLUG HOUSING : MG653026(20P), MG653033(24P)
  4. 적용 SCREW : M3 일반나사

- NOTE
1. UNLESS OTHERWISE SPECIFIED ALL RADII TO BE 0.3 RADIOUS
  2. MUST BE FREE OF FLASH, SINK AND IMPERFECTION THAT AFFECT FUNCTION.
  3. MATING PLUG HOUSING : MG653026(20P), MG653033(24P)
  4. APPLICABLE MOUNTING SCREW : M3 SCREW

NO.	PART NAME	MATERIAL	FINISH	Q'TY
①	040III PCB 44P REC' HS'G (H2T)	PBT	NATURAL	1 EA
②	040III PCB TAB TERMINAL (L)	BRASS	PRE-TIN	20 EA
③	040III PCB TAB TERMINAL (SS)		PRE-TIN	24 EA

DR.	SHIN '04.04.06.	CHK.	BIN '04.04.08.
LTR	REVISION RECORD	DR.	CHK.
CHK.	4/9	APP.	4/9

MATERIAL	SEE TABLE	<b>KET</b> KOREA ELECTRIC ENGINEERED TERMINAL CO., LTD.
FINISH	SEE TABLE	
WIRE RANGE		CLASS 040III
INSULATION		TYPE 040
TOLERANCE EXCEPT AS NOTED	SEE TABLE	PART NO. MG643354
PART NAME	040III PCB 44P CONN'T ASS'Y (H2T)	